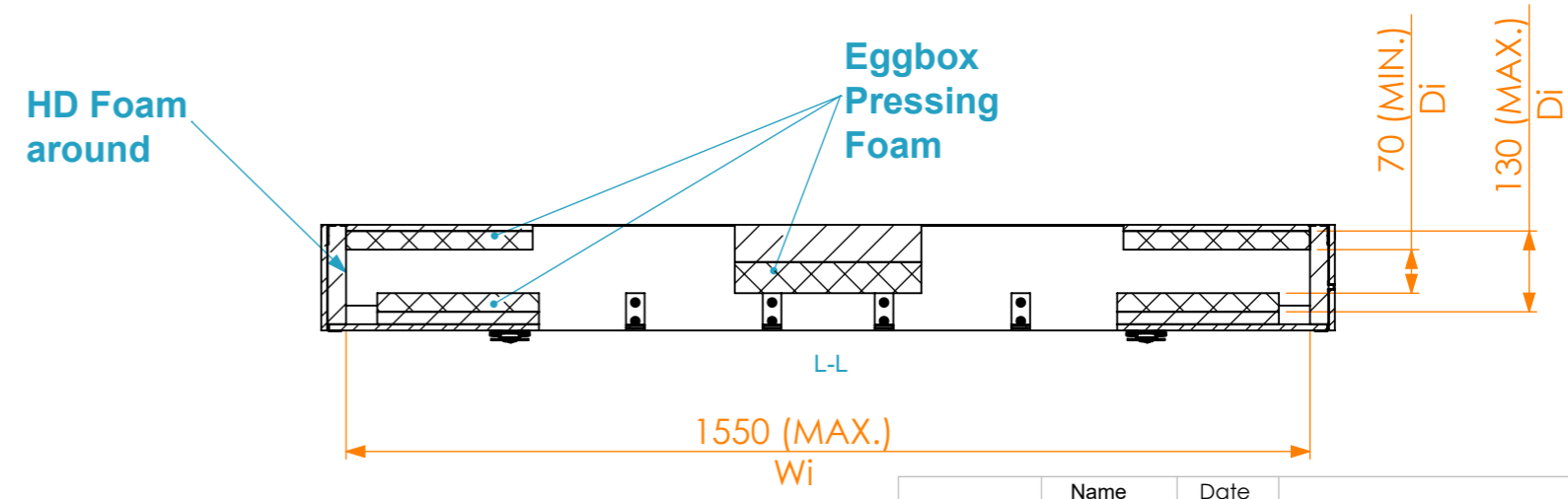
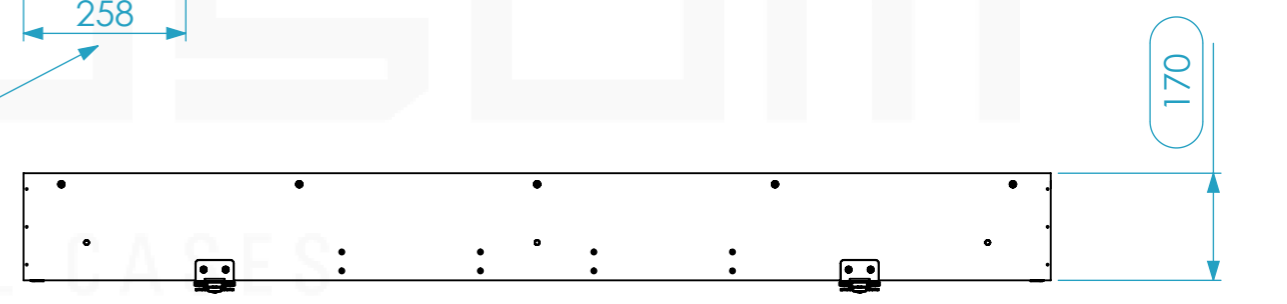
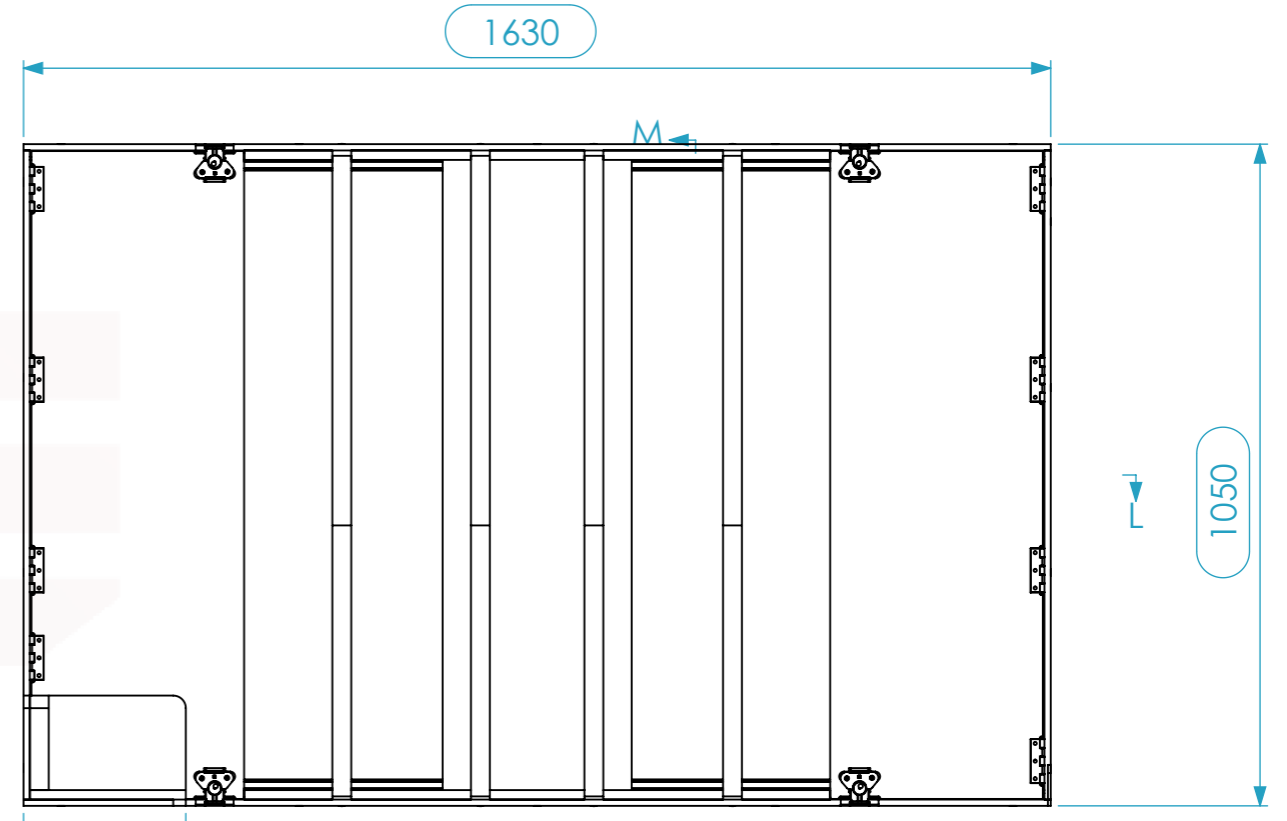
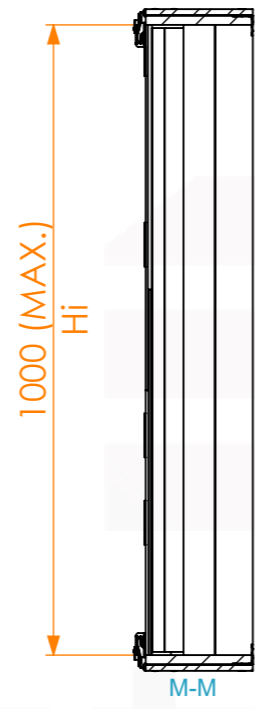
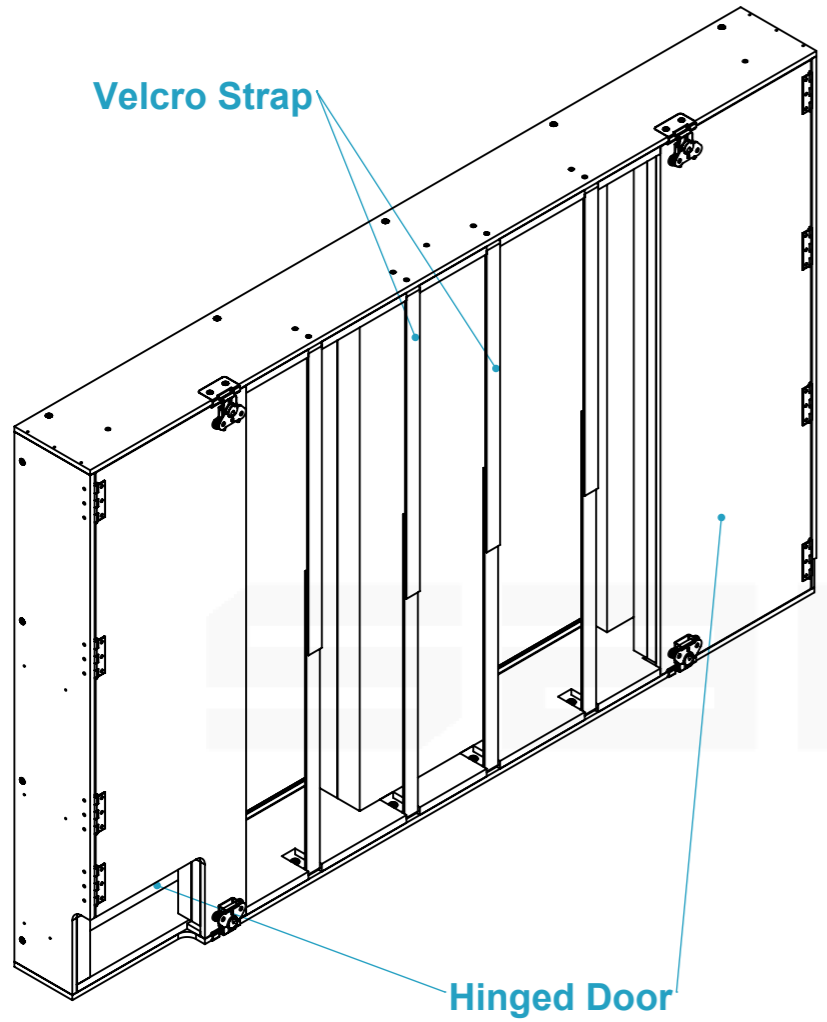


<b>Equipment</b>	65" TV	
<b>Internal Dimensions (Max.)</b>		
<b>Width</b>	<b>Depth</b>	<b>Height</b>
1550	130	1000
<b>Weight</b>	Approx. 16.00 Kg	
<b>Wall Thickness</b>	10mm	

REVISIONS			
REV.	DESCRIPTION	DATE	APPROVED
1	Increase of 20 mm int the cut out for the headphones / oculus rift	27-07-2018	Alexandre



General External Dimensions  
Usable Inner Dimensions

Hardware		
Qty	Ref.	Description
4	17290 C	Butterfly Latch medium without Dish with Keeper
8	2602	Medium duty butt hinge z./p.
4	1729KEEP.CQ	Keeper for 1729 Butterflies

This drawing must not be copied or disclosed without consent of the owner

Drawn by	alexandre	Date	27-07-2018
Reference	2872.003.A00		
Scale	1:12	units in mm	general tolerance 0.8mm
COMPARTIMENTO TV P/ FC SIMULADOR V3			

