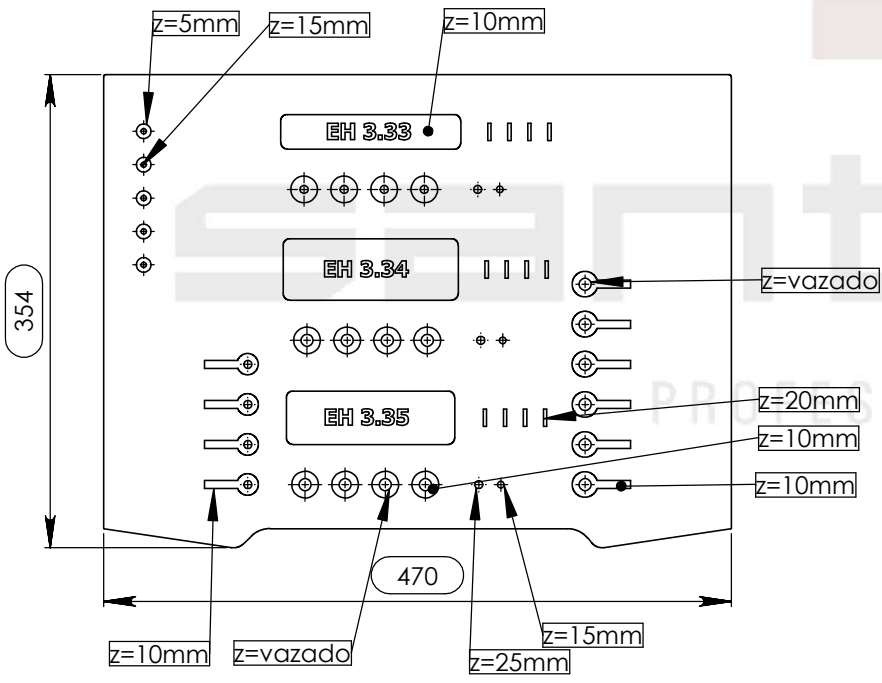
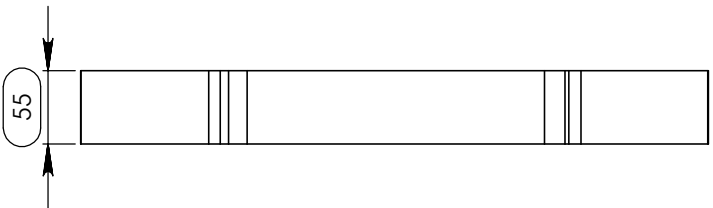


| REVISIONS | | | | |
|-----------|------|---------------|------------|------------------|
| ZONE | REV. | DESCRIPTION | DATE | APPROVED |
| | 0 | Final Drawing | 16/03/2016 | Carlos Rodrigues |



| | | |
|-----------|----------|-------------------------|
| Drawn by | Name | Date |
| projects | | 16/03/2016 |
| Reference | 2603.015 | |
| Scale | 1:4 | general tolerance 0.8mm |
| Units | mm | DO NOT SCALE |



This drawing must not be copied or disclosed without consent of the owner



A3