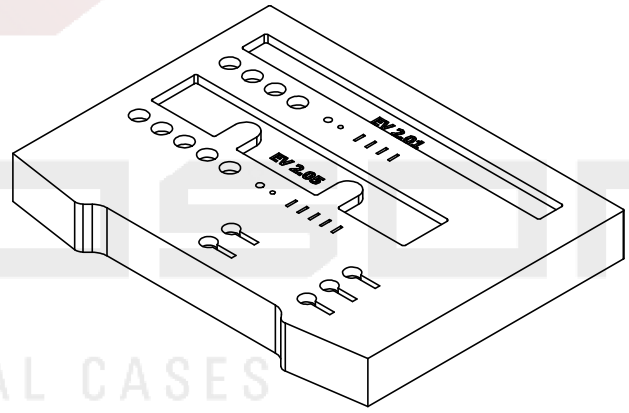
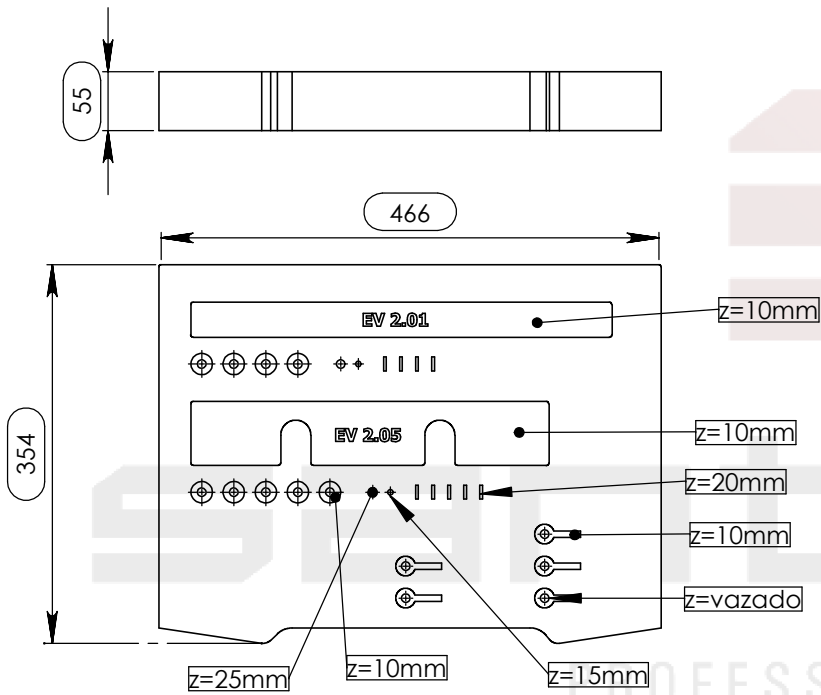


REVISIONS				
ZONE	REV.	DESCRIPTION	DATE	APPROVED
	0	Final Drawing	02/03/2016	Carlos Rodrigues



Drawn by	projects	Date	02/03/2016
Reference	2603.004		
Scale	1:5	units in mm	general tolerance 0.8mm
		DO NOT SCALE	



This drawing must not be copied or disclosed without consent of the owner



Scale 1:5
units in mm
general tolerance 0.8mm
DO NOT SCALE

A3

EHD ESPUMA 528X368X60MM, CAIXA 20