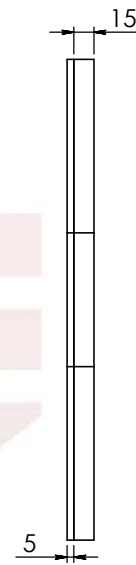
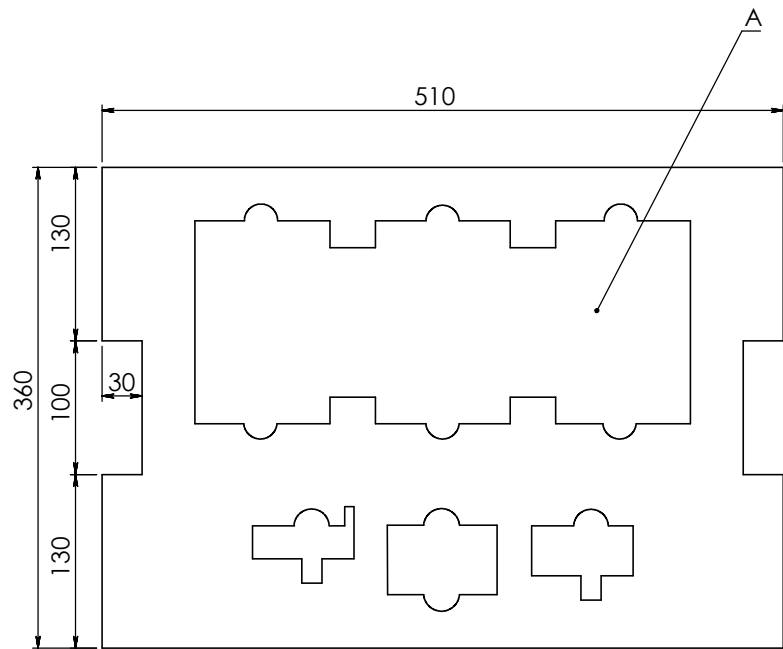
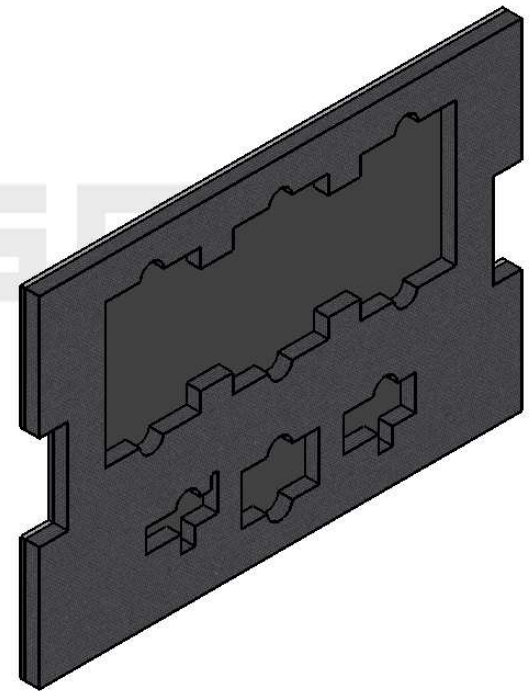


Revision Table				
Index	Rev.	Description	Date	Draw
	0	Final Drawing	19/04/2016	Ezequiel Camboa
A	1	Foam cuts reviewed by the client	14/06/2016	Ezequiel Camboa



santosom  
PROFESSIONAL CASES



Drawn by	projects	Date	14-06-2016
Reference	2587.003		
Scale	1:4	general tolerance	0.8mm
1st Angle projection	TABULEIRO GERAL - 30MM		



This drawing must not be copied or disclosed without consent of the owner

A3