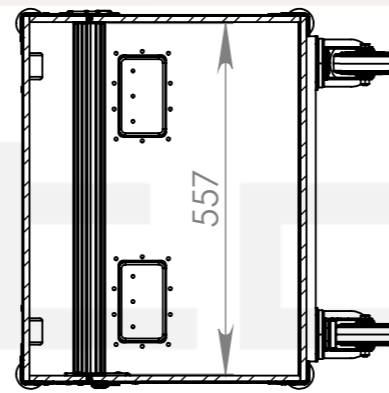
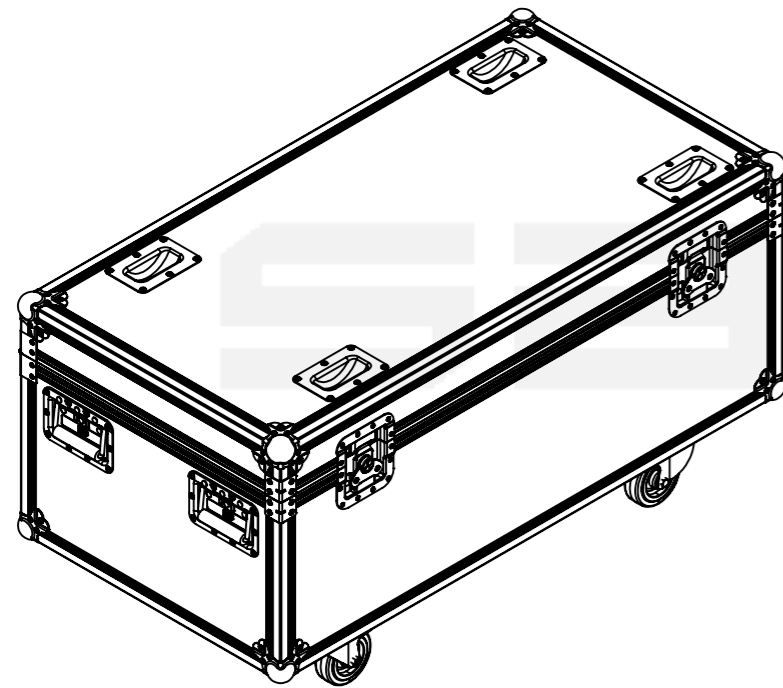
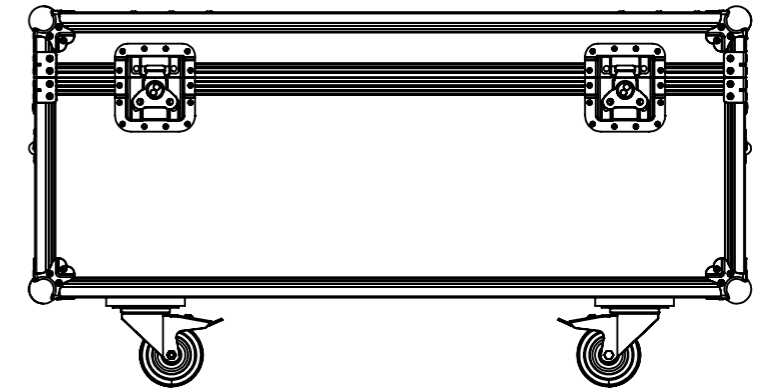
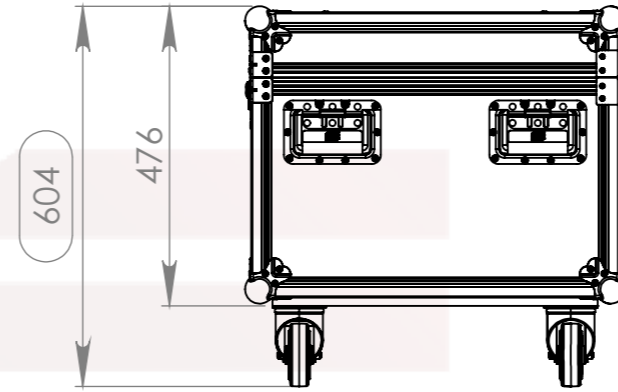
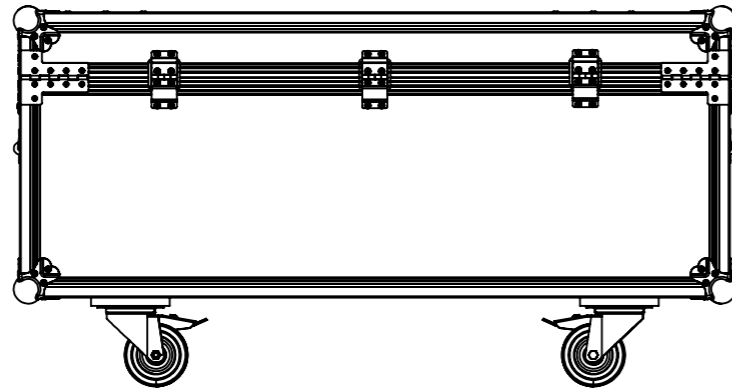
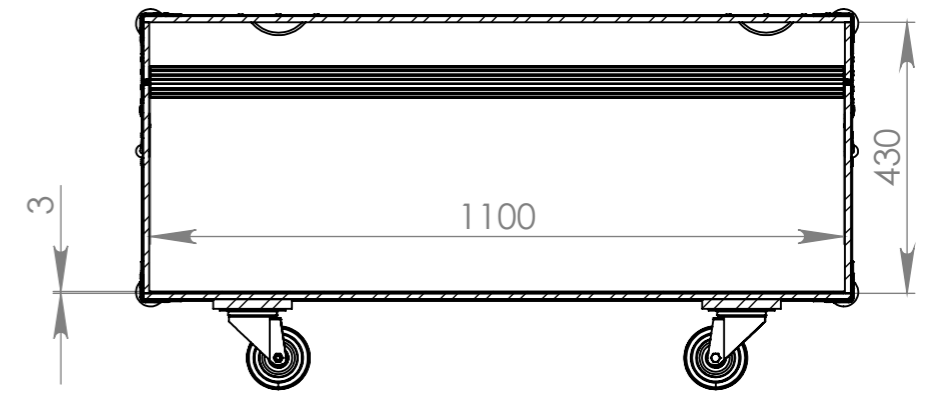
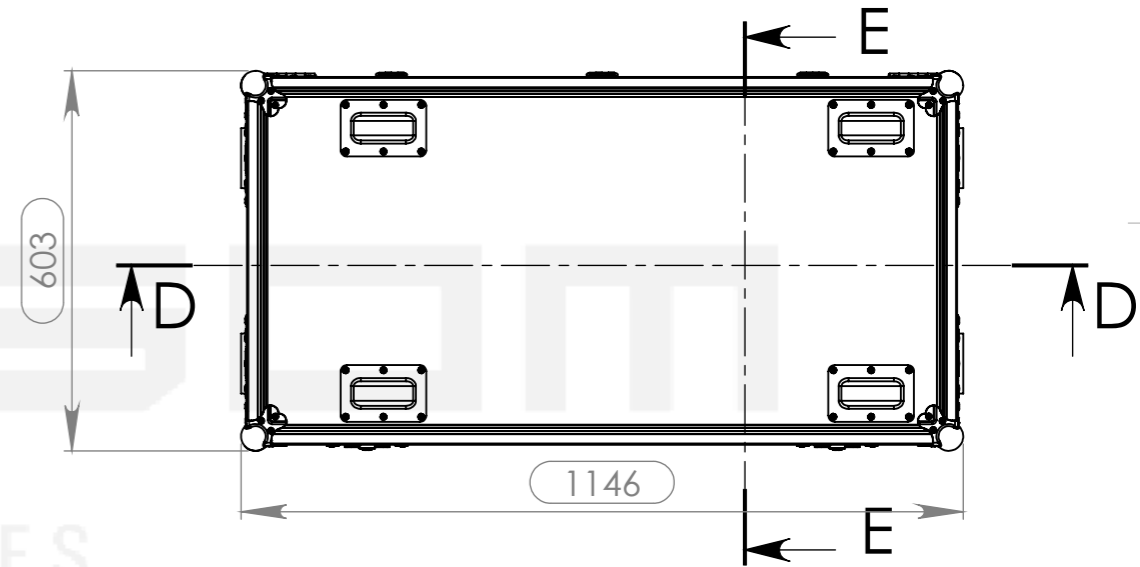


Internal Dimensions		
Width	Depth	Height
1100	557	430
Weight	Approx. 30 Kg	
Wall Thickness	9.5mm	



SEÇÃO E-E



SECTION D-D

Hardware		
Qty	Ref.	Description
8	4101	Heavy Duty Ball Corner
4	40403	Large corner bracket f. 35mm case angle
2	RODA.100T	Swivel castor Ø100mm with brake
2	RODA.100	Swivel castor Ø100 mm
4	34082	Recessed sprung handle medium model
2	172531	Large butterfly V3 with 'push-back' function
3	2524	HEAVY DUTY STRUT HINGE WITH BLACK PLATE
4	38083	Castor dish deep zinc plated
2	2715	Lid holder (Steel cable 300 mm)

This drawing must not be copied or disclosed without consent of the owner

1st Angle projection

Scale 1:12

units in mm DO NOT SCALE general tolerance 0.8mm

Reference 2539.010 FLIGHTCASE, 1100X557X430MM, ROULETTES

