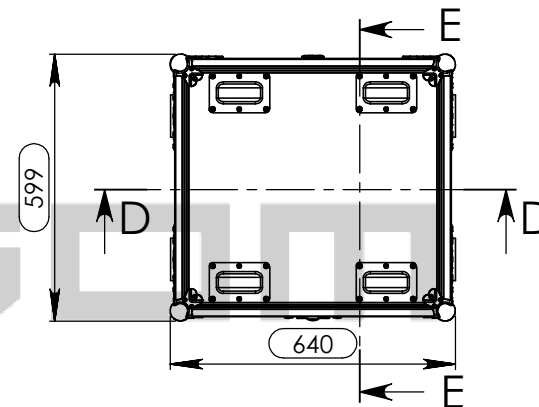
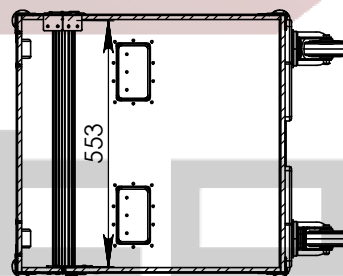
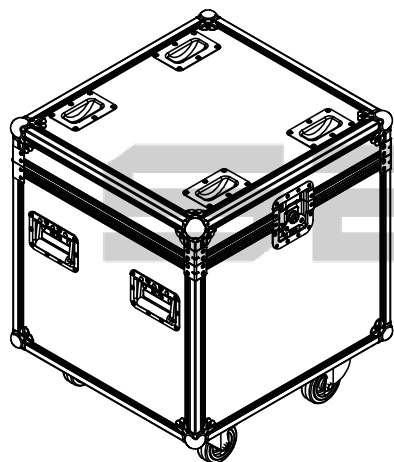
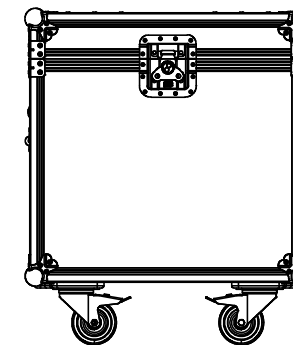
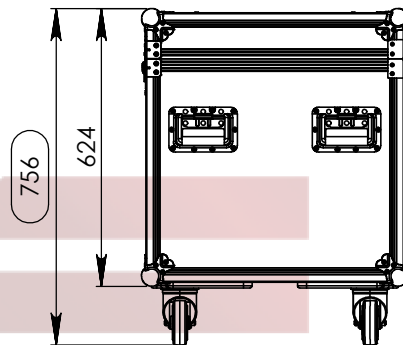
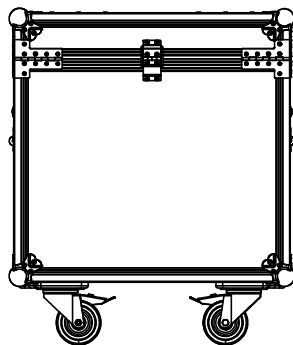


Interior dimensions

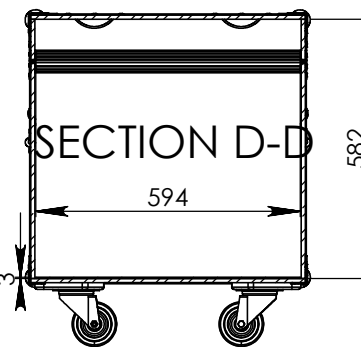
Width	Depth	Height
594	553	582
Weight	Approx. 18 KG	
Wall Thickness		9.5mm

REVISIONS

ZONE	REV.	DESCRIPTION	DATE	APPROVED
-	0	Final Drawing	27/01/2016	Carlos Rodrigues



SECTION E-E



SECTION D-D

Hardware

Qty	Ref.	Description
8	4101	Heavy Duty Ball Corner
4	40403	Large corner bracket f. 35mm case angle
2	RODA.100T	Swivel castor Ø100mm with brake
2	RODA.100	Swivel castor Ø100 mm
4	34082	Recessed sprung handle medium model
1	172531	Large butterfly V3 with 'push-back' function
1	2524	HEAVY DUTY STRUT HINGE WITH BLACK PLATE
4	38083	Castor dish deep zinc plated

This drawing must not be copied or disclosed without consent of the owner



Scale 1:12

UNITS in mm DO NOT SCALE

general tolerance 0.8mm

Reference 2539.003

Drawn by projects Date 11-02-2016

