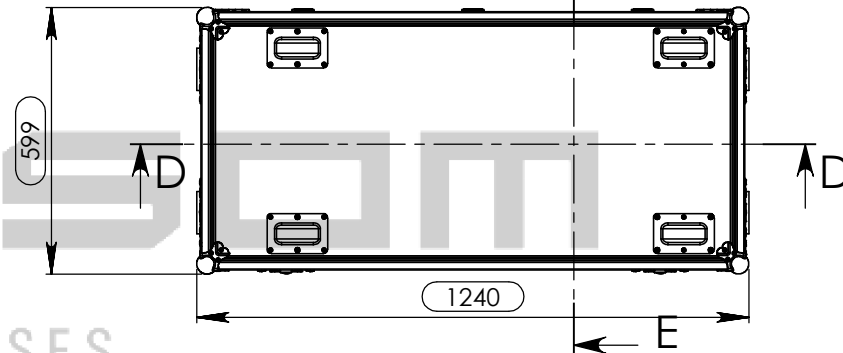
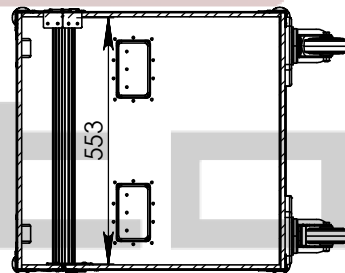
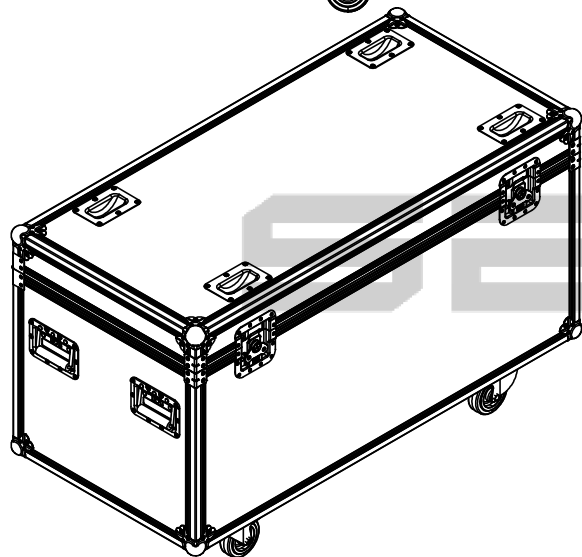
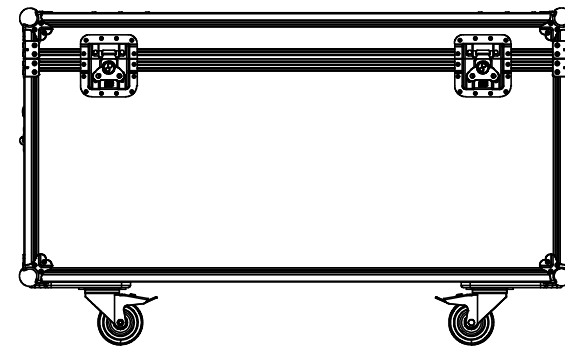
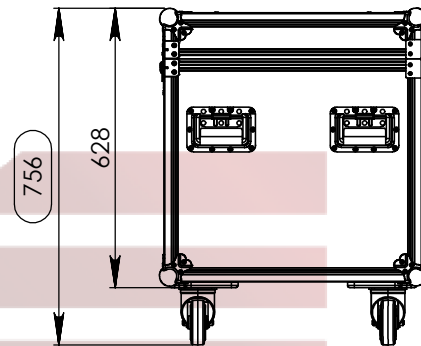
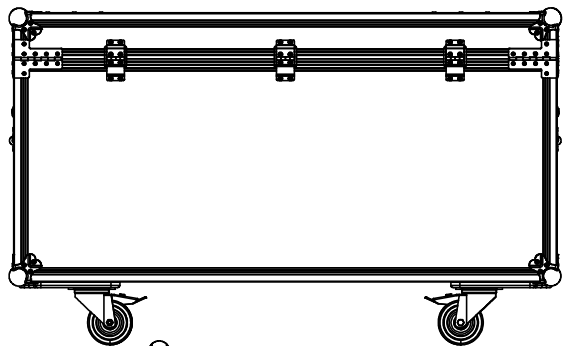


Interior dimensions

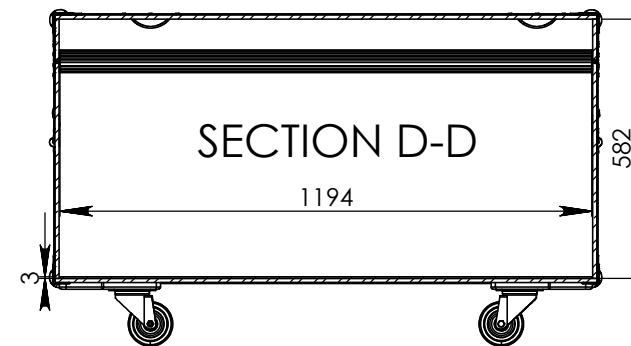
Width	Depth	Height
1194	553	582
Weight	Approx.25 KG	
Wall Thickness		9.5mm

REVISIONS

ZONE	REV.	DESCRIPTION	DATE	APPROVED
-	0	Final Drawing	27/01/2016	Carlos Rodrigues



SEÇÃO E-E CASES



Hardware

Qty	Ref.	Description
8	4101	Heavy Duty Ball Corner
4	40403	Large corner bracket f. 35mm case angle
2	RODA.100T	Swivel castor Ø100mm with brake
2	RODA.100	Swivel castor Ø100 mm
4	34082	Recessed sprung handle medium model
2	172531	Large butterfly V3 with 'push-back' function
3	2524	HEAVY DUTY STRUT HINGE WITH BLACK PLATE
4	38083	Castor dish deep zinc plated

Drawn by	projects	Date	11-02-2016
Reference	2539.001		
Scale	1:12	general tolerance	0.8mm
FC	1200x560x580 RODAS		



This drawing must not be copied or disclosed without consent of the owner



A3