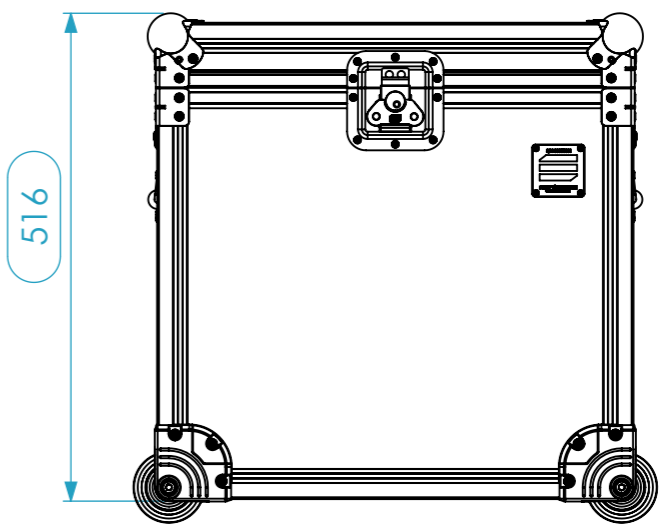
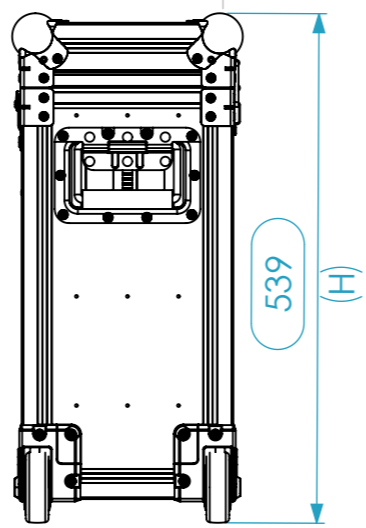
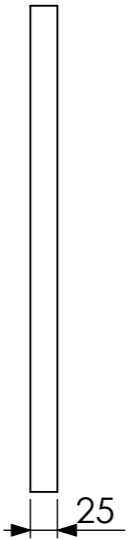
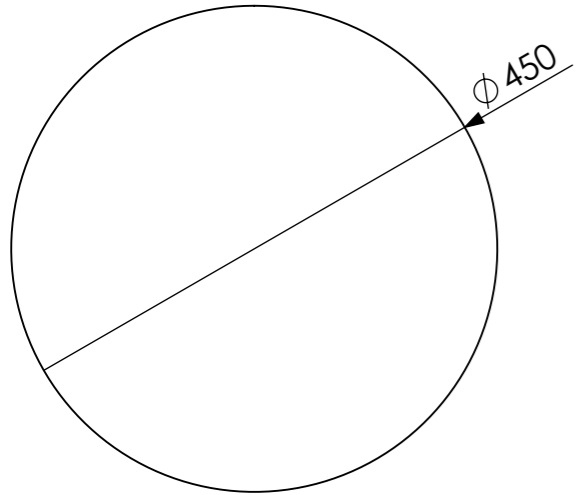
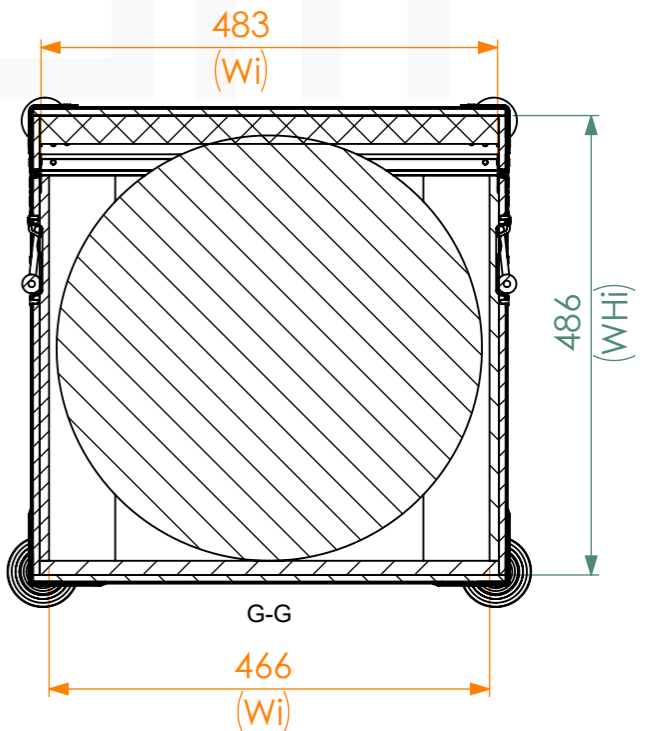
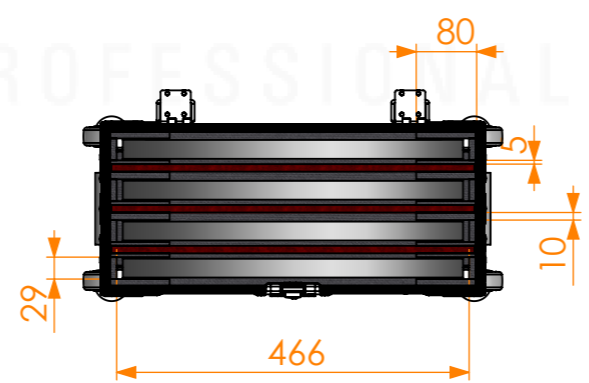
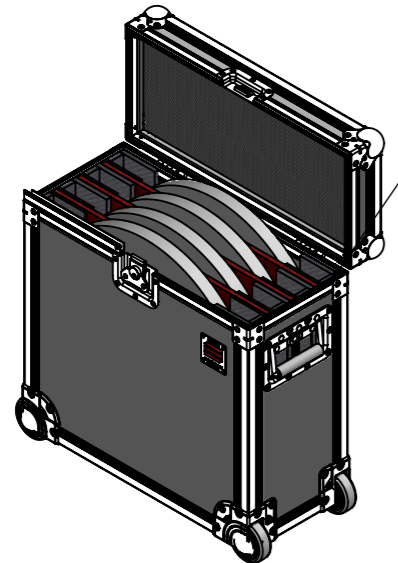
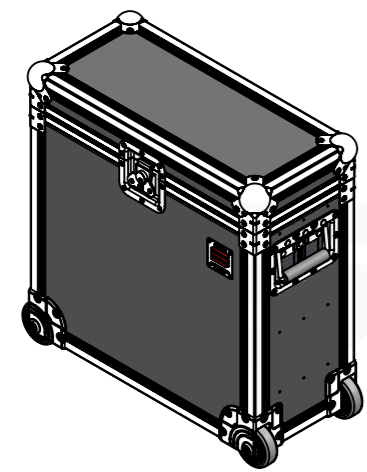
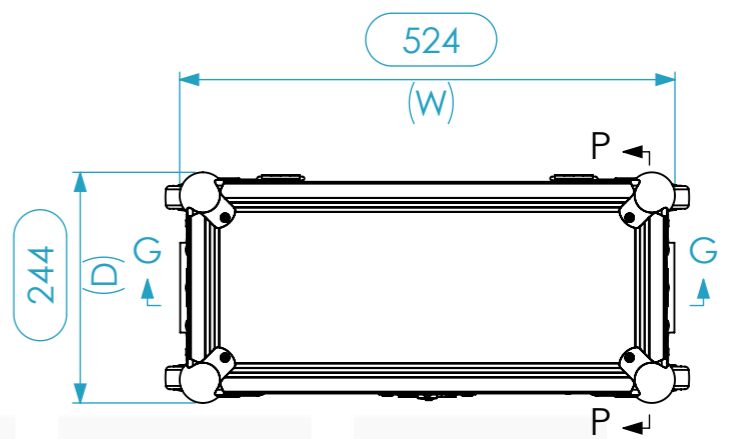
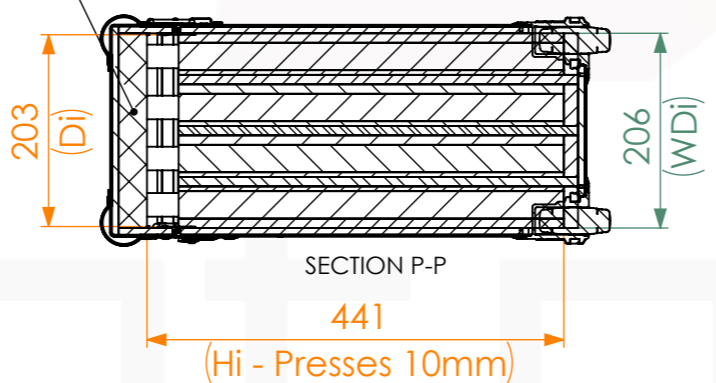


Internal Dimensions		
Width	Depth	Height
483	203	483
Weight	Approx. 14 Kg	
Wall Thickness		7mm



Pressing Eggbox  
Foam  
30 mm thick



General External Dimensions		Usable Inner Dimensions		Wood Inner Dimensions	
W	Width	Wi	Inside Width	WWi	Wood Inside Width
D	Depth	Di	Inside Depth	WDi	Wood Inside Depth
H	Height	Hi	Inside Height	WHi	Wood Inside Height

This drawing must not be copied or disclosed without consent of the owner

Name	Date
Drawn by	CatarinaHenriques 21/02/2019
Reference	2475.001
Scale	1:8
units in mm	general tolerance 0.8mm
DO NOT SCALE	
RUNK M1 INT. 4 BASES Ø450X25MM	



A3

1st Angle projection