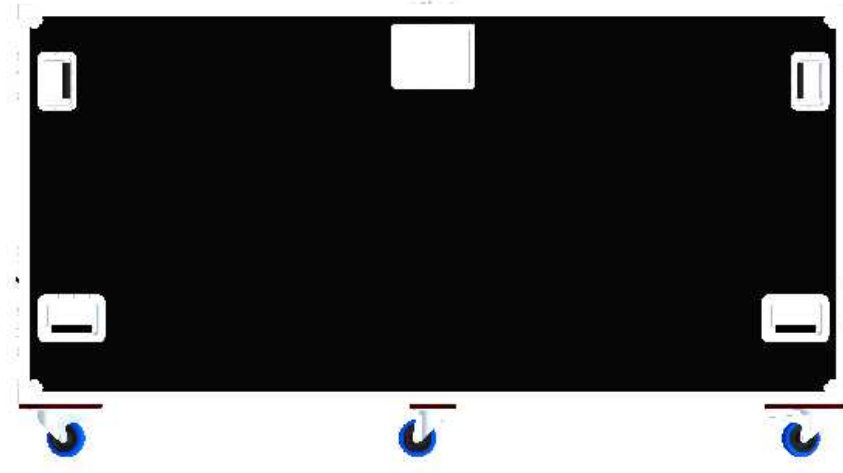
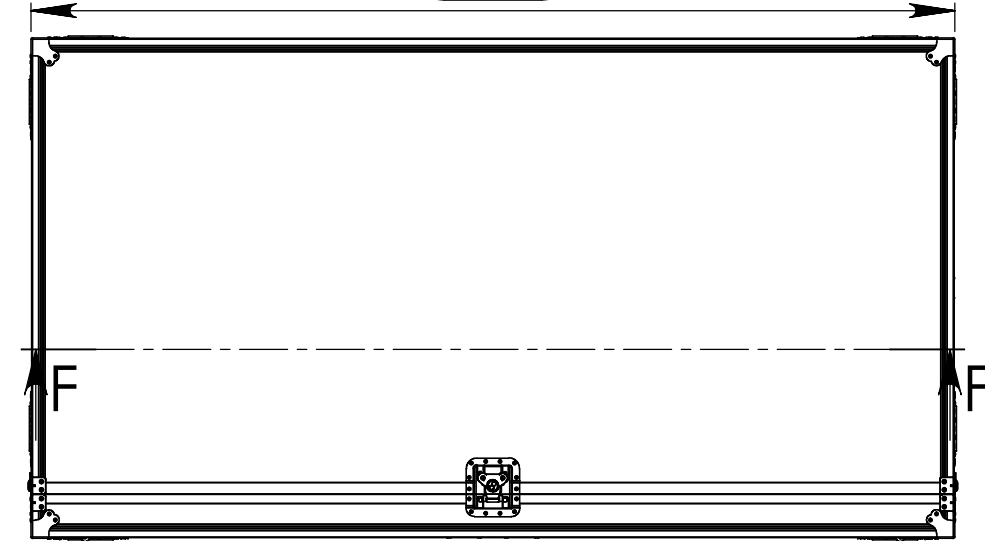
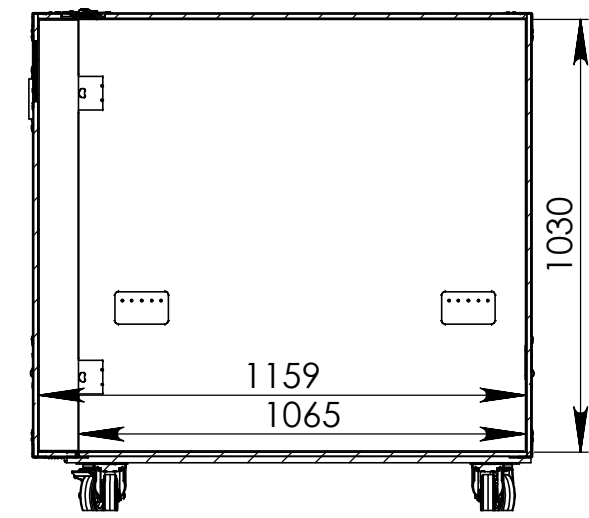
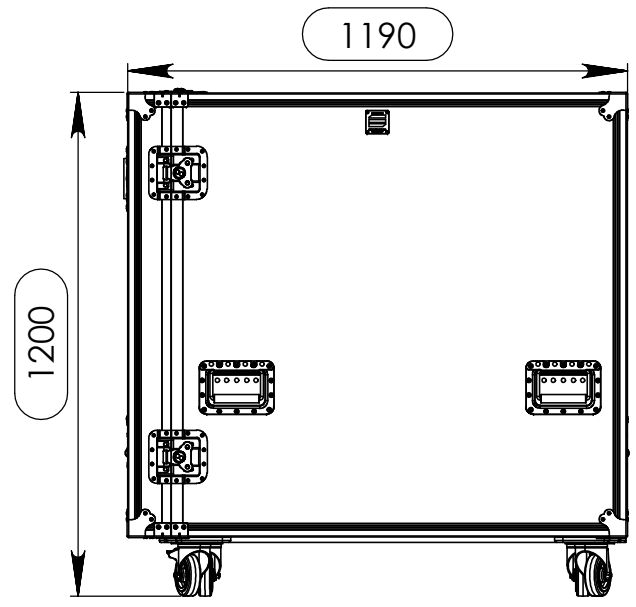
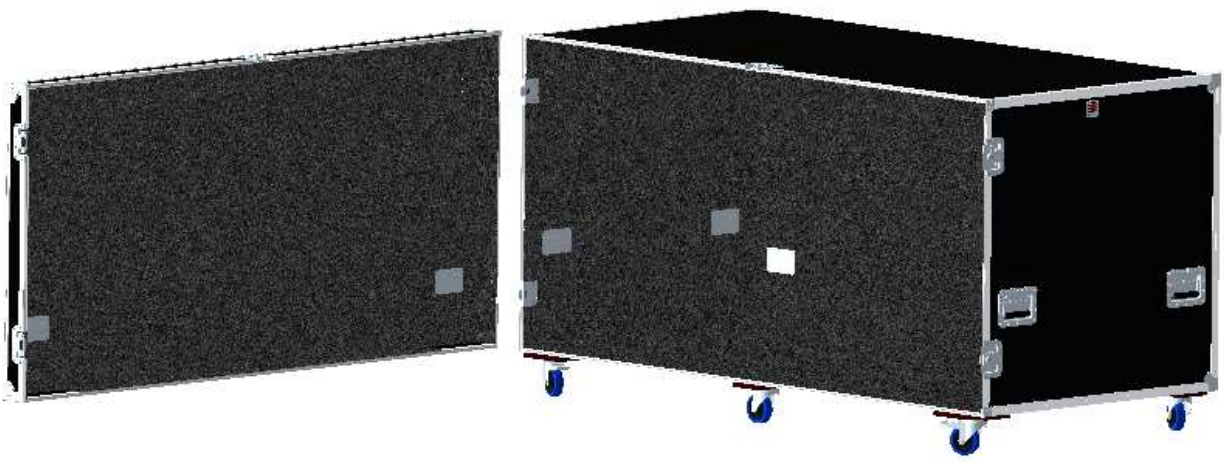
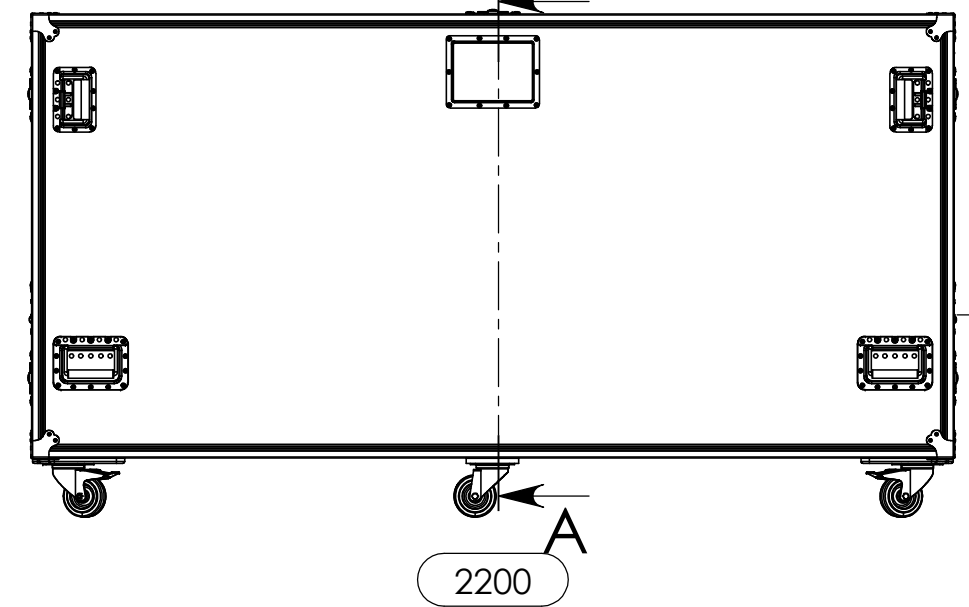
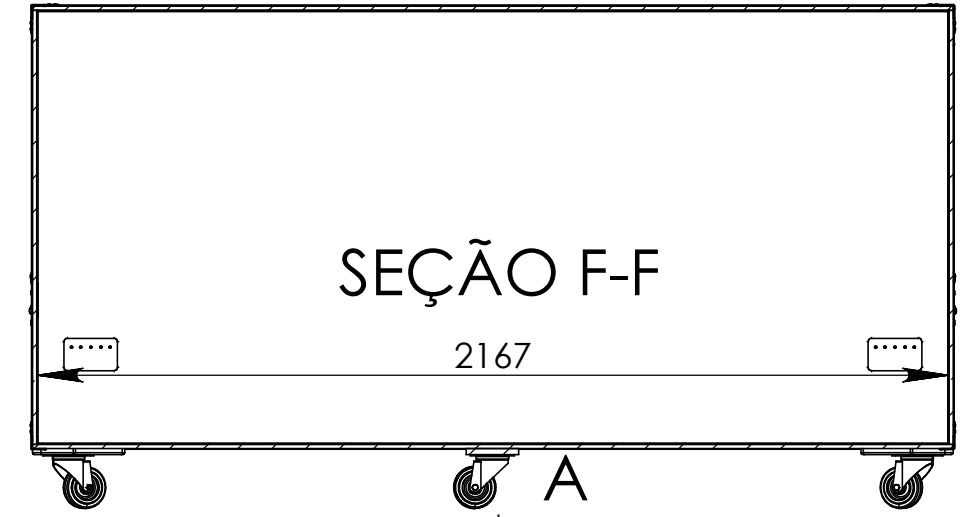


Interior dimensions

Width	Depth	Height
2167	1065	1030
Weight	Approx. 118 Kg	
Wall Thickness	10mm	



REVISIONS				
ZONE	REV.	DESCRIPTION	DATE	APPROVED
-	0	Final Drawing	10/05/2015	Carlos Rodrigues



Hardware		
Qty	Ref.	Description
8	40403	Large corner bracket f. 35mm case angle
5	172531	Large butterfly V3 with 'push-back' function
4	RODAS.1001	Castor plate wood black
2	RODA.100T	Swivel castor Ø100mm with brake
4	RODA.100	Swivel castor Ø100 mm
8	34085	Large, heavy duty, recessed sprung handle
1	88001D	Dish for 88001 Tour Label
8	4150	Case corner three-leg
2	34082	Recessed sprung handle medium model

SECTION A-A

Material	Name	Date
	Drawn by projects	10/04/2015
	Reference	2373.102
This drawing must not be copied or disclosed without consent of the owner	Scale	units in mm
	1:18	DO NOT SCALE
	general tolerance	0.8mm
	FC, 2.200 X 1.190 X 1.200MM. EXTERIOR, RODAS	

