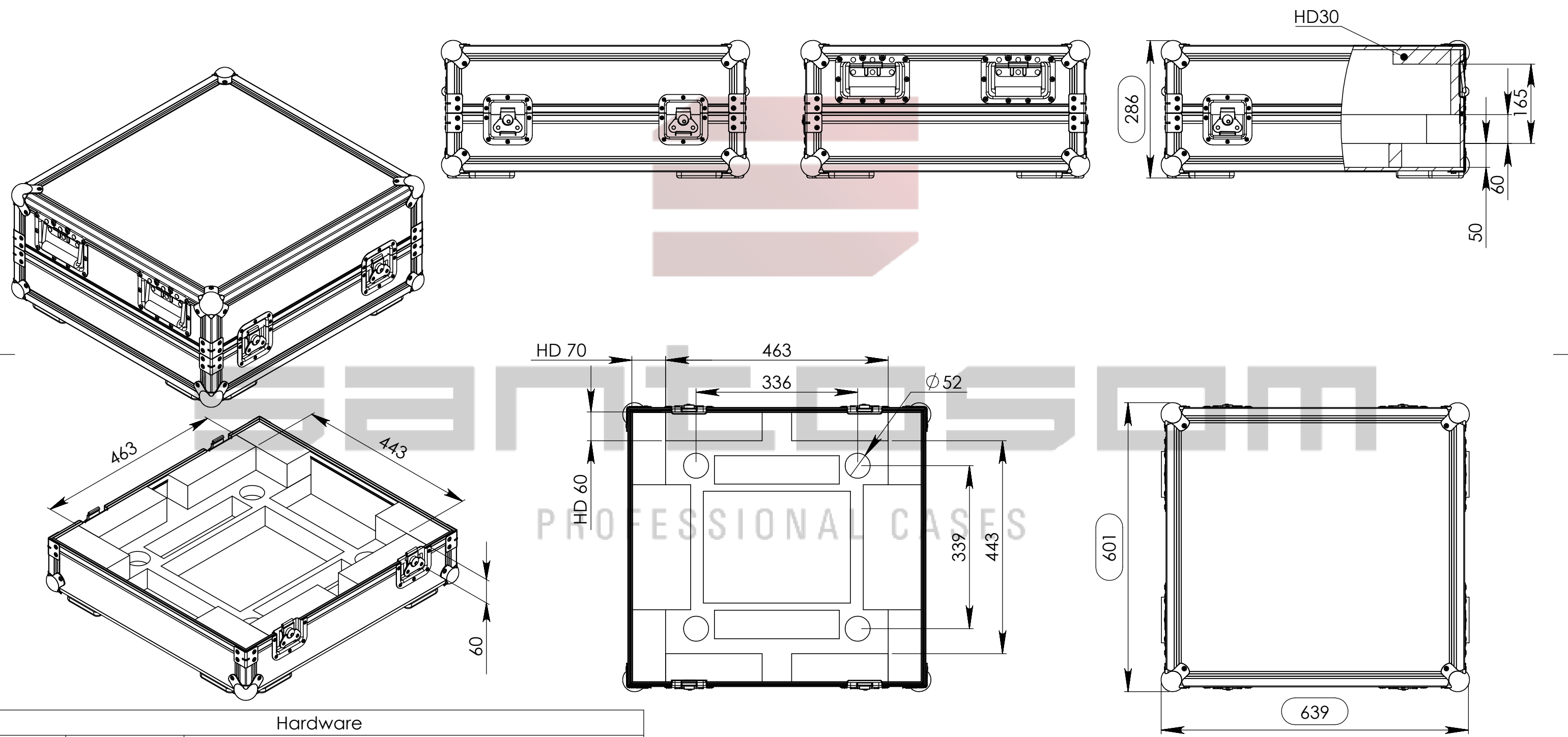


Interior dimensions		
Width	Depth	Height
463	443	165
Weight	Approx. 10 Kg	
Wall Thickness	7mm	

REVISIONS				
ZONE	REV.	DESCRIPTION	DATE	APPROVED
-	0	Final Drawing	27/10/2014	Daniel Lopes



Hardware		
Qty	Ref.	Description
4	17290S	Key lockable medium Butterfly special
4	34082	Recessed sprung handle medium model
8	40403	Large corner bracket f. 35mm case angle
8	4120	Medium ball corner zinc plated

This drawing must not be copied or disclosed without consent of the owner

Drawn by	Name	Date
DanielLopes	DanielLopes	28-10-2014
Reference	2280.100	
Scale	units in mm	general tolerance
1:8	DO NOT SCALE	0.8mm
FC. PRE-AMP 400X460X164MM		

