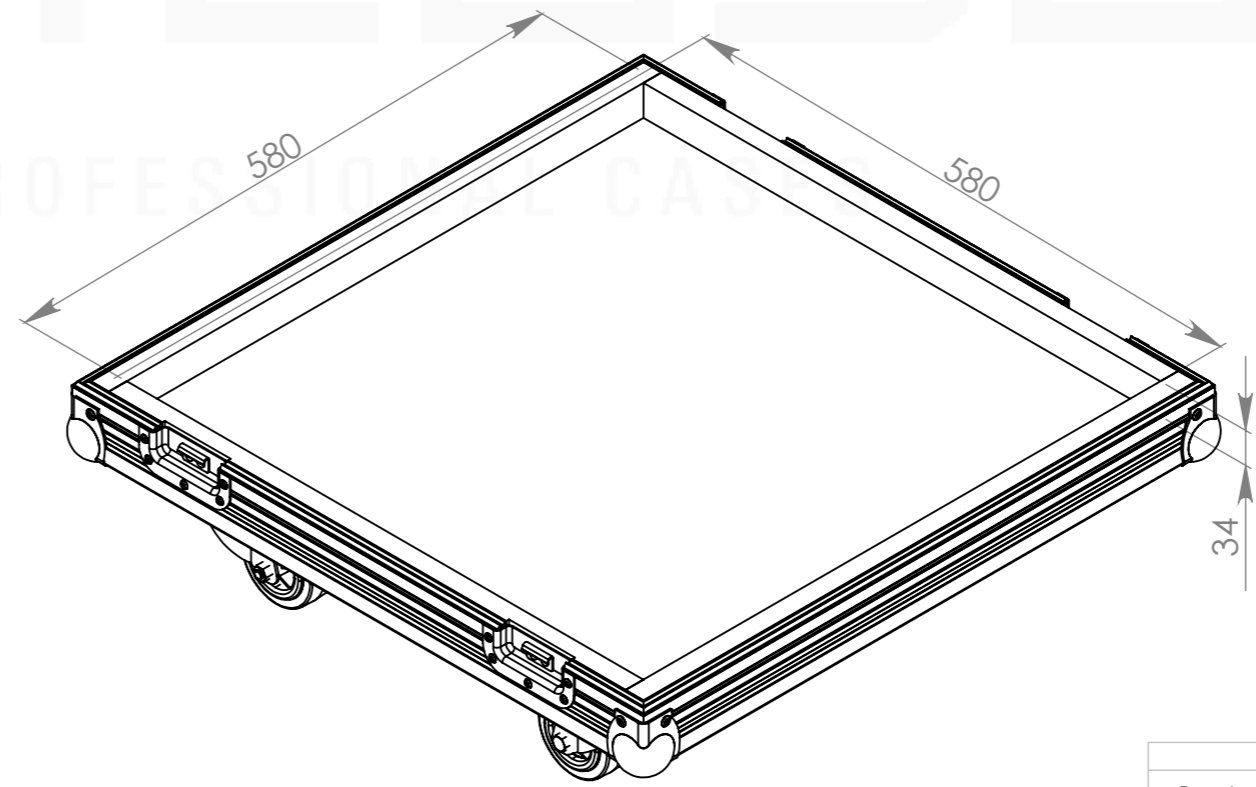
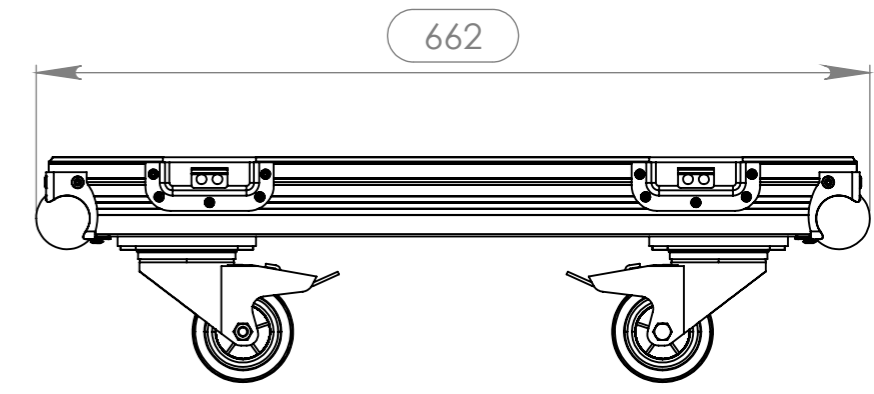
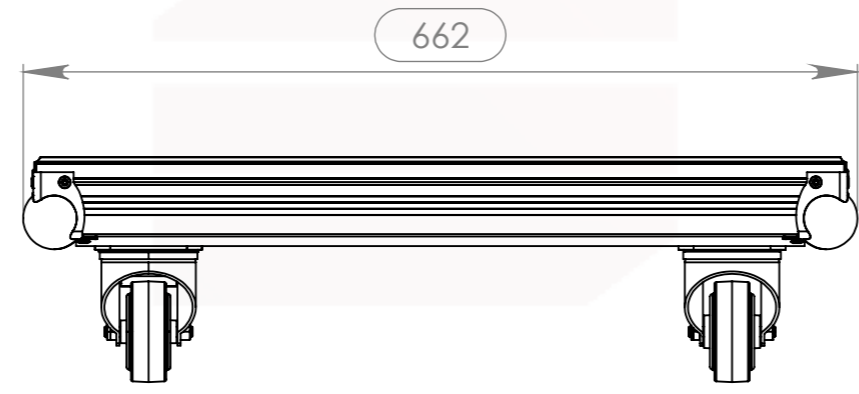
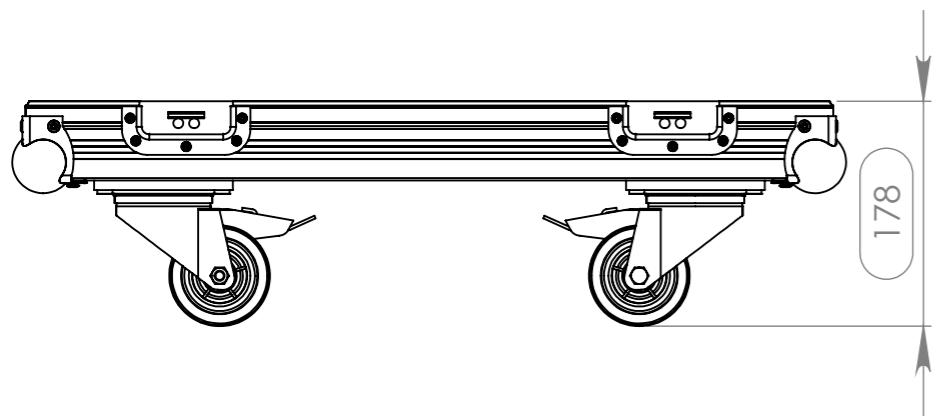


### Interior dimensions

Width	Depth	Height
580	580	34
Weight	Approx. 16 Kg	
Wall Thickness		7mm



### Hardware

Qty	Ref.	Description
4	17290S	Key lockable medium Butterfly special
4	4120	Heavy duty ball corner, zinc plated
2	RODA.80T	Swivel castor Ø80 mm with brake
2	RODA.80	Swivel castor Ø80 mm without brake
4	4127	Combined ball corner and brace to suit 52 mm lidmaker

Drawn by	Name	Date
ezequiel	ezequiel	12-01-2017
Reference	2264.103C	
Scale	units in mm	general tolerance
1:6	DO NOT SCALE	0.8mm
FC.MÁQUINA LASER BODYCULT 580X580X400MM., RODAS 80		



This drawing must not be copied or disclosed without consent of the owner



A3