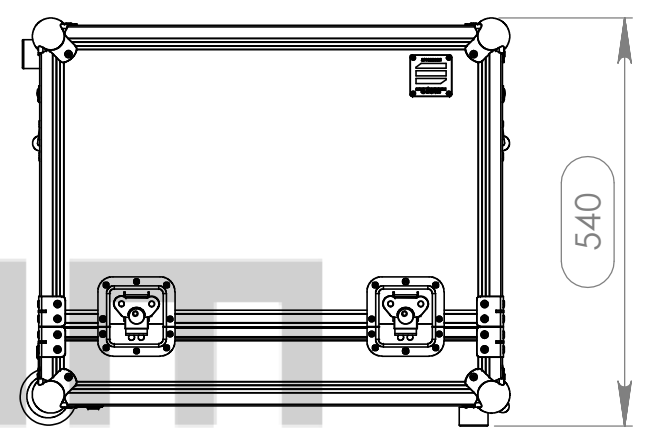
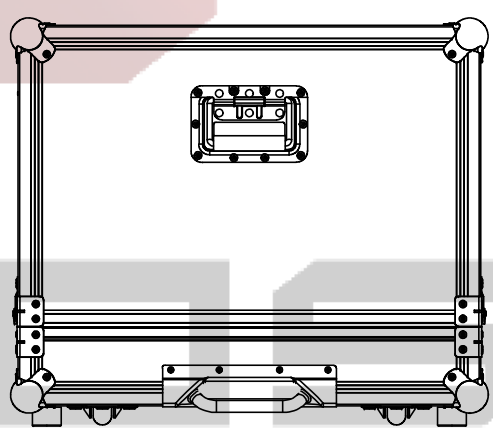
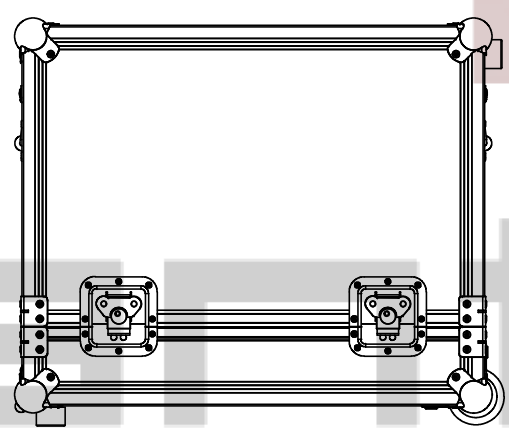
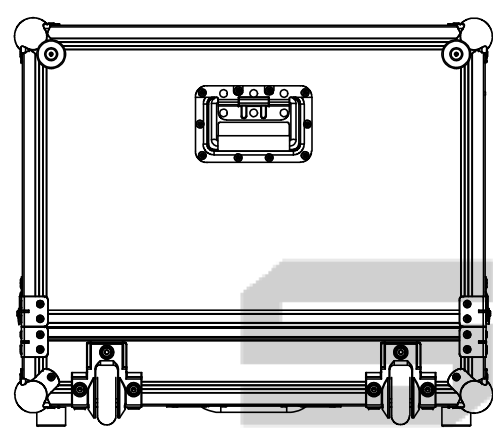
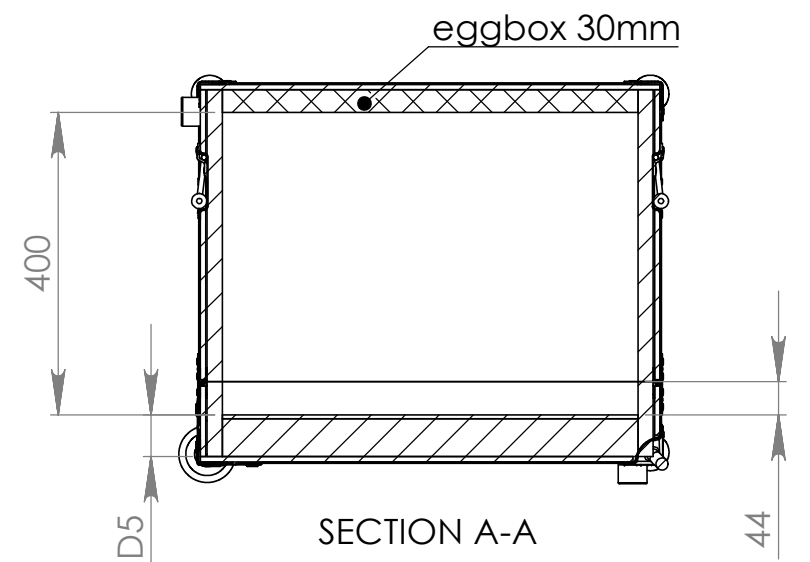
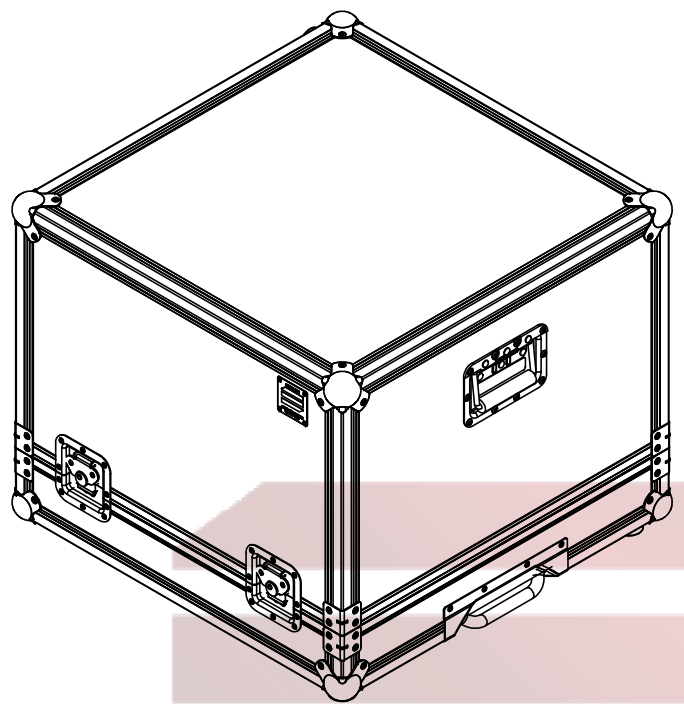
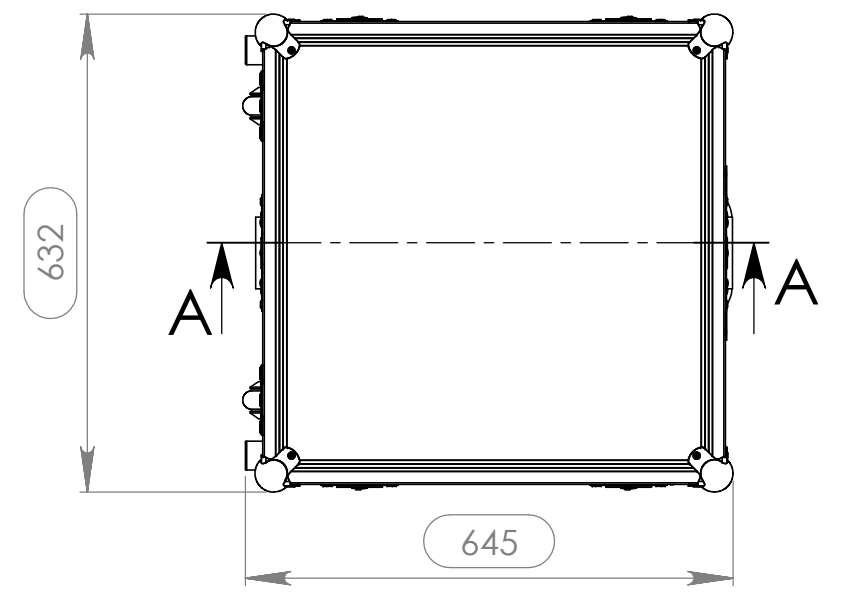
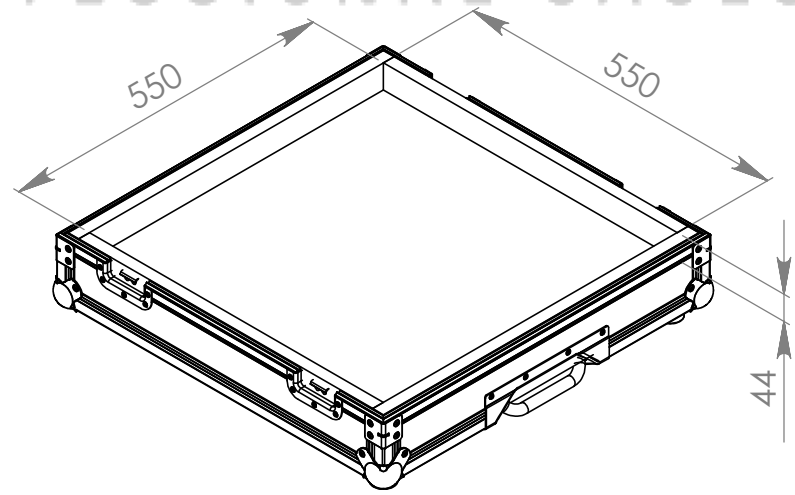


Interior dimensions		
Width	Depth	Height
550	550	400
Weight	Approx. 12 Kg	
Wall Thickness	7mm	

REVISIONS				
ZONE	REV.	DESCRIPTION	DATE	APPROVED
-	-	Final Drawing	29/09/2014	Daniel Lopes



PROFESSIONAL CASES



Hardware		
Qty	Ref.	Description
4	17290S	Key lockable medium Butterfly special
2	34082	Recessed sprung handle medium model
8	40403	Large corner bracket f. 35mm case angle
2	37551	Recessed Edge Castor 75mm
4	4911	Rubber foot 38 x 25 mm with steel insert
8	4120	Medium ball corner zinc plated

This drawing must not be copied or disclosed without consent of the owner

Drawn by	Name	Date
DanielLopes	DanielLopes	25-11-2014
Reference	2264.100	
Scale	units in mm	general tolerance
1:10	DO NOT SCALE	±0.8mm
1st. Angle projection	FC. MÁQUINA LASER BODYCULT 550X550X400MM., RODAS	

