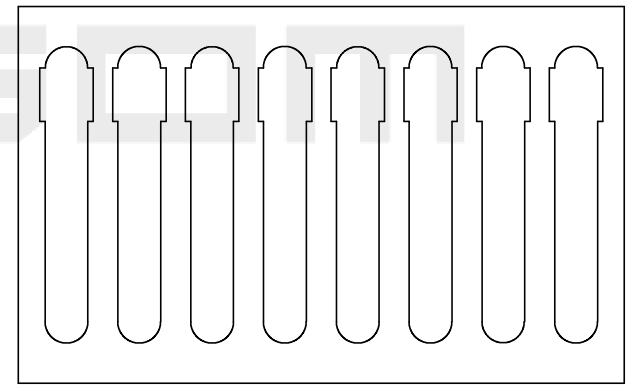
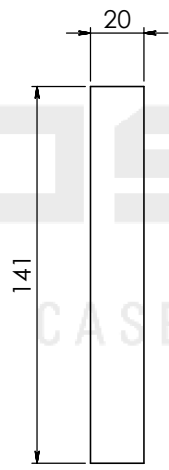
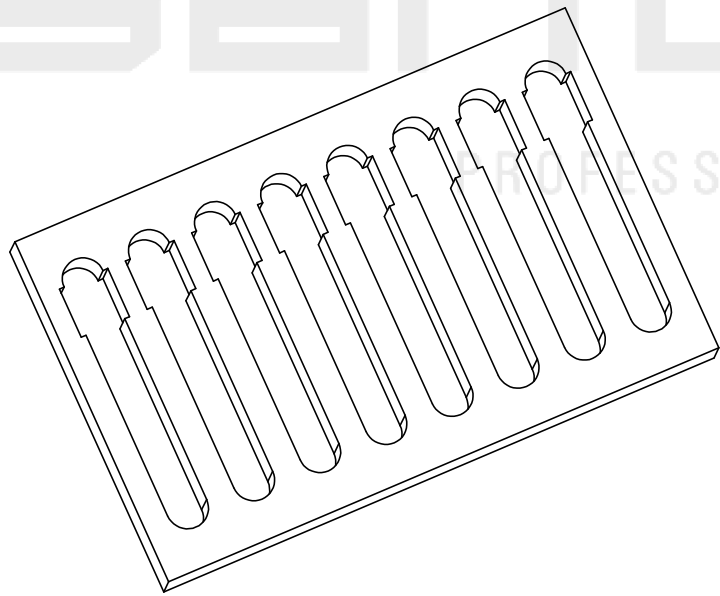
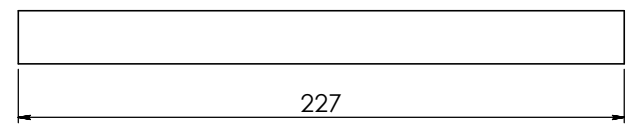
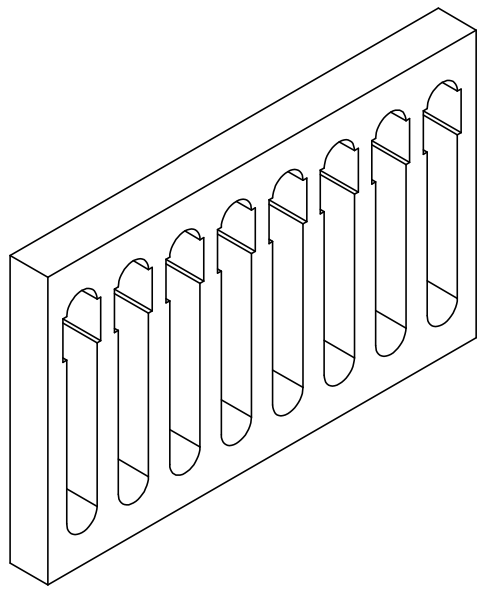


Revision Table				
Index	Rev.	Description	Date	Draw



santosom
PROFESSIONAL CASES

Drawn by	Delfim Alves	Date	24-09-2014
Reference	2235.EHD02		
Scale	1:2	general tolerance	0.8mm
Reference	ESPUMA FRESADA P/ 8 TUBOS		



This drawing must not be copied or disclosed without consent of the owner



A3