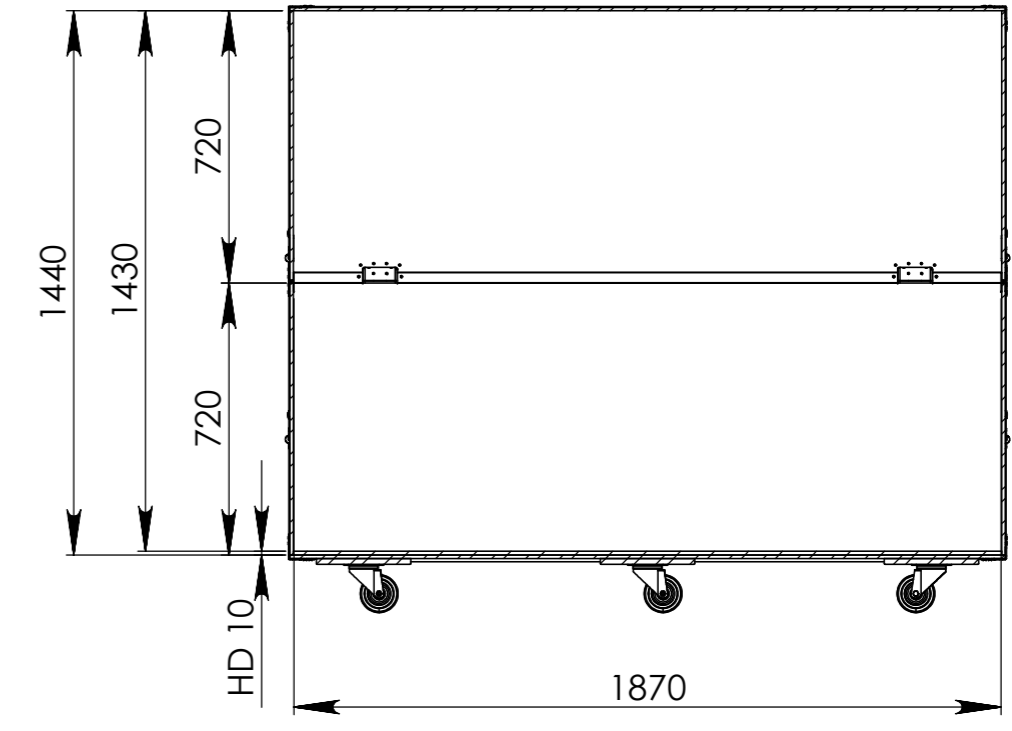
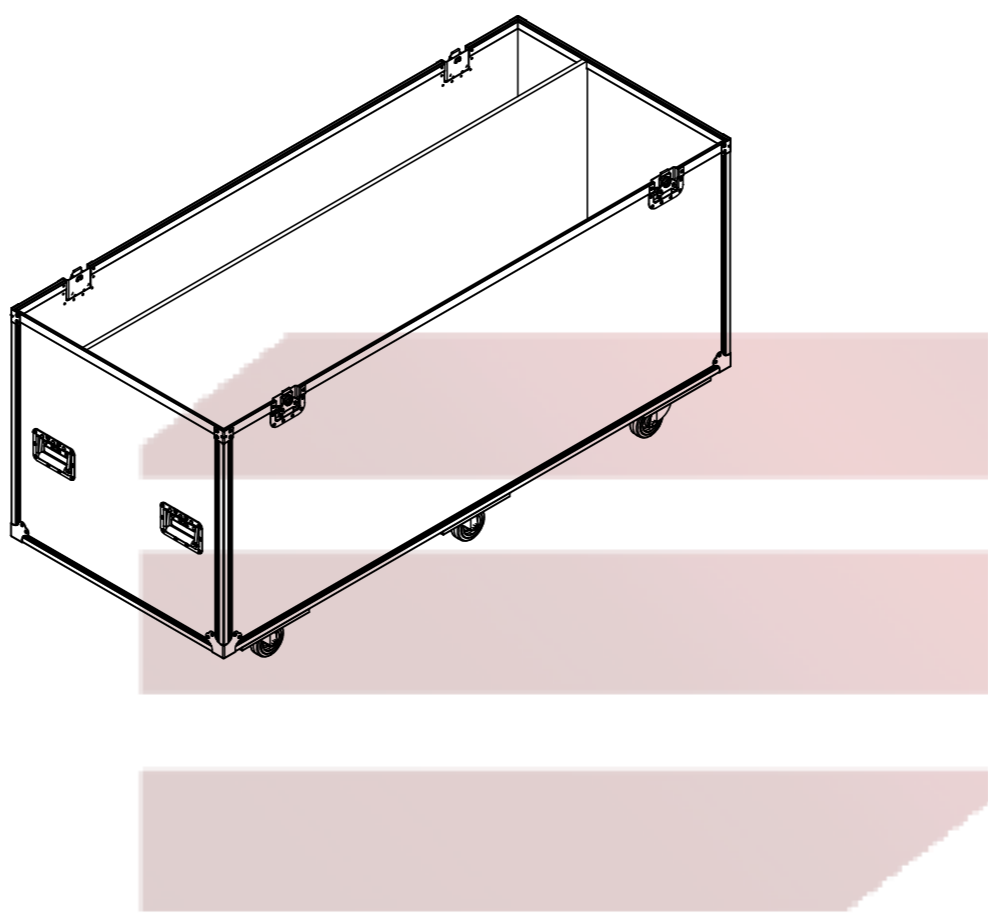
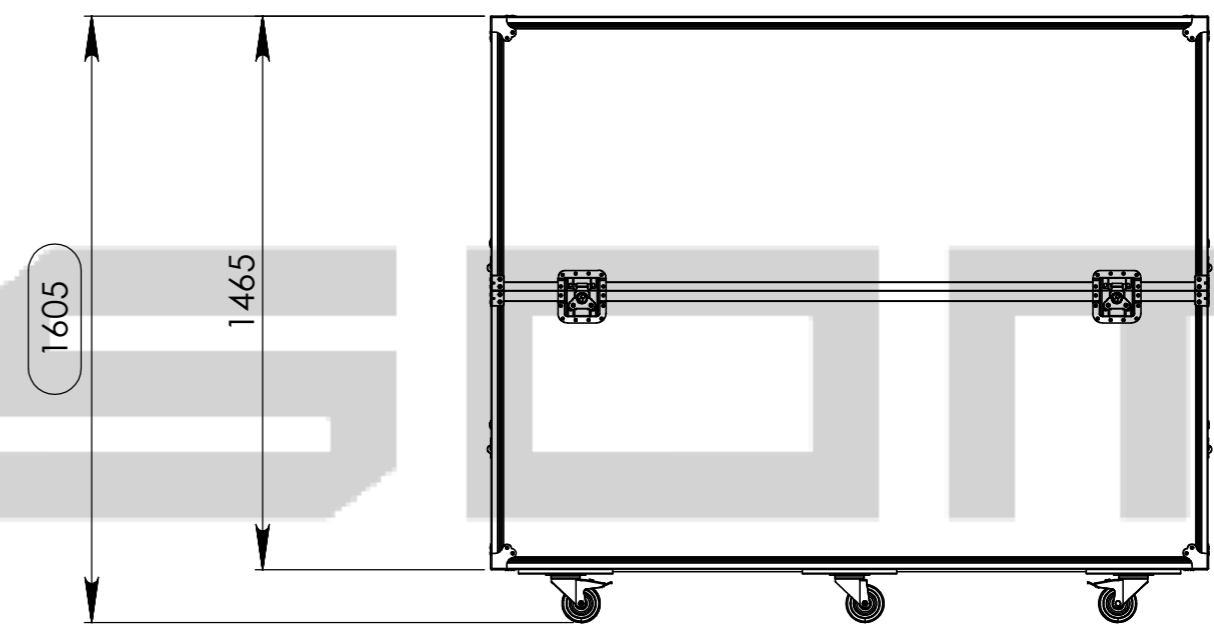
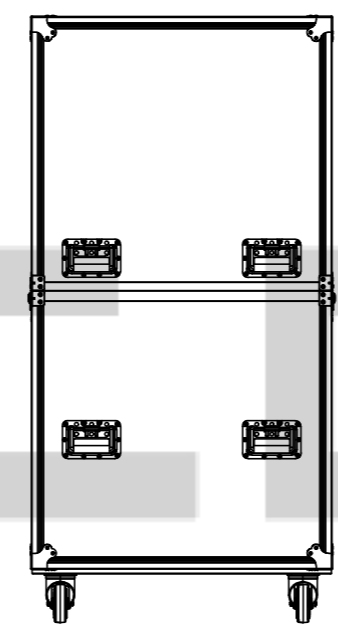
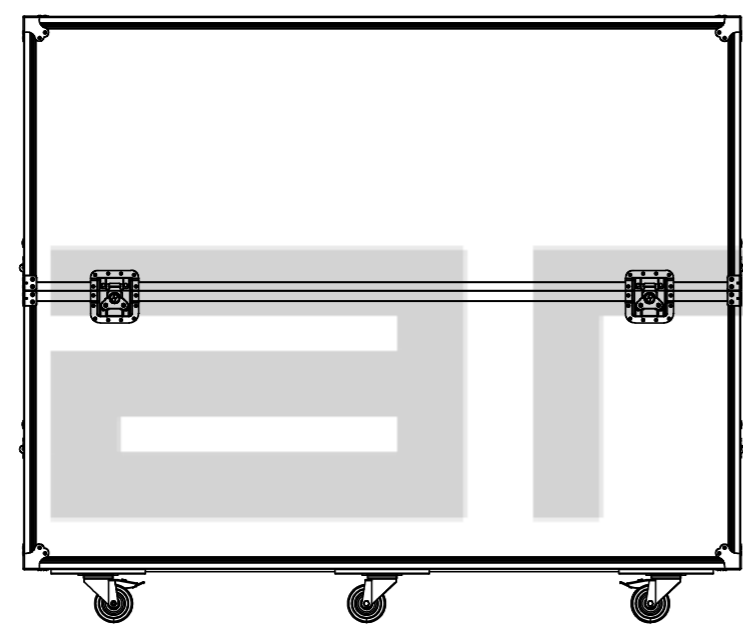


Interior dimensions		
Width	Depth	Height
1870	769	1440
Weight	Approx. 103 Kg	
Wall Thickness	9mm	

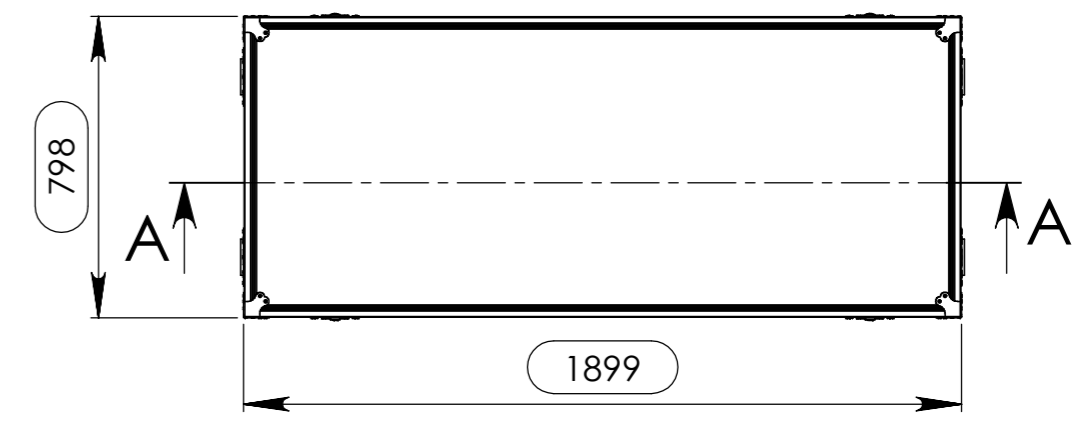
REVISIONS				
ZONE	REV.	DESCRIPTION	DATE	APPROVED
-	0	Final Drawing	03/03/2014	Daniel Lopes



SECTION A-A



PROFESSIONAL CASES



Hardware		
Qty	Ref.	Description
8	40403	Large corner bracket f. 35mm case angle
8	4150	Case corner three-leg
4	172531	Large butterfly V3 with 'push-back' function
8	34082	Recessed sprung handle medium model
2	RODA.100T	Swivel castor Ø100mm with brake
4	RODA.100	Swivel castor Ø100 mm

This drawing must not be copied or disclosed without consent of the owner 	Scale	1:20	general tolerance ± 0.8mm FC, Stand A0V2	
	Drawn by Daniel Lopes Reference 2148.STA0	Name Daniel Lopes Date 03-03-2014		