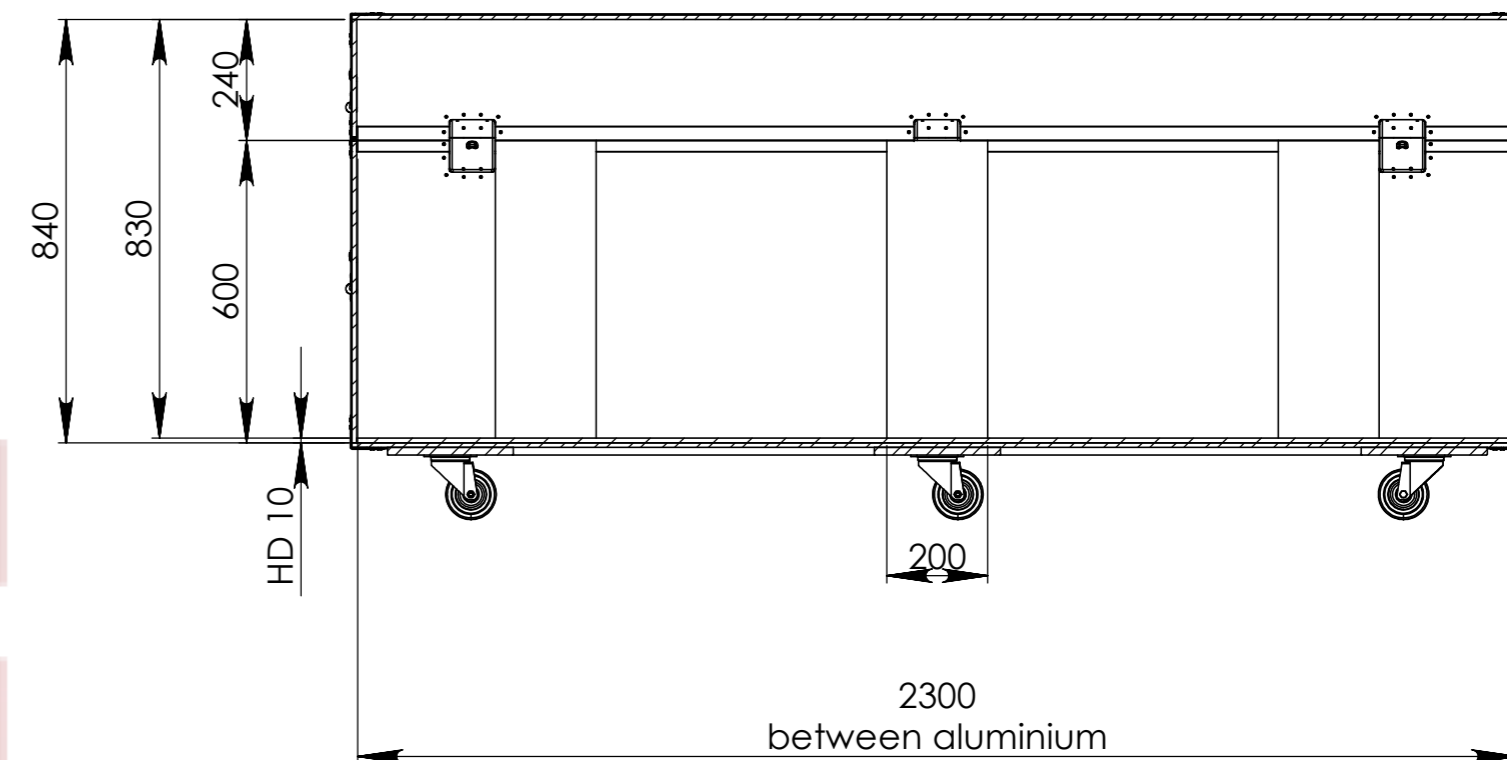
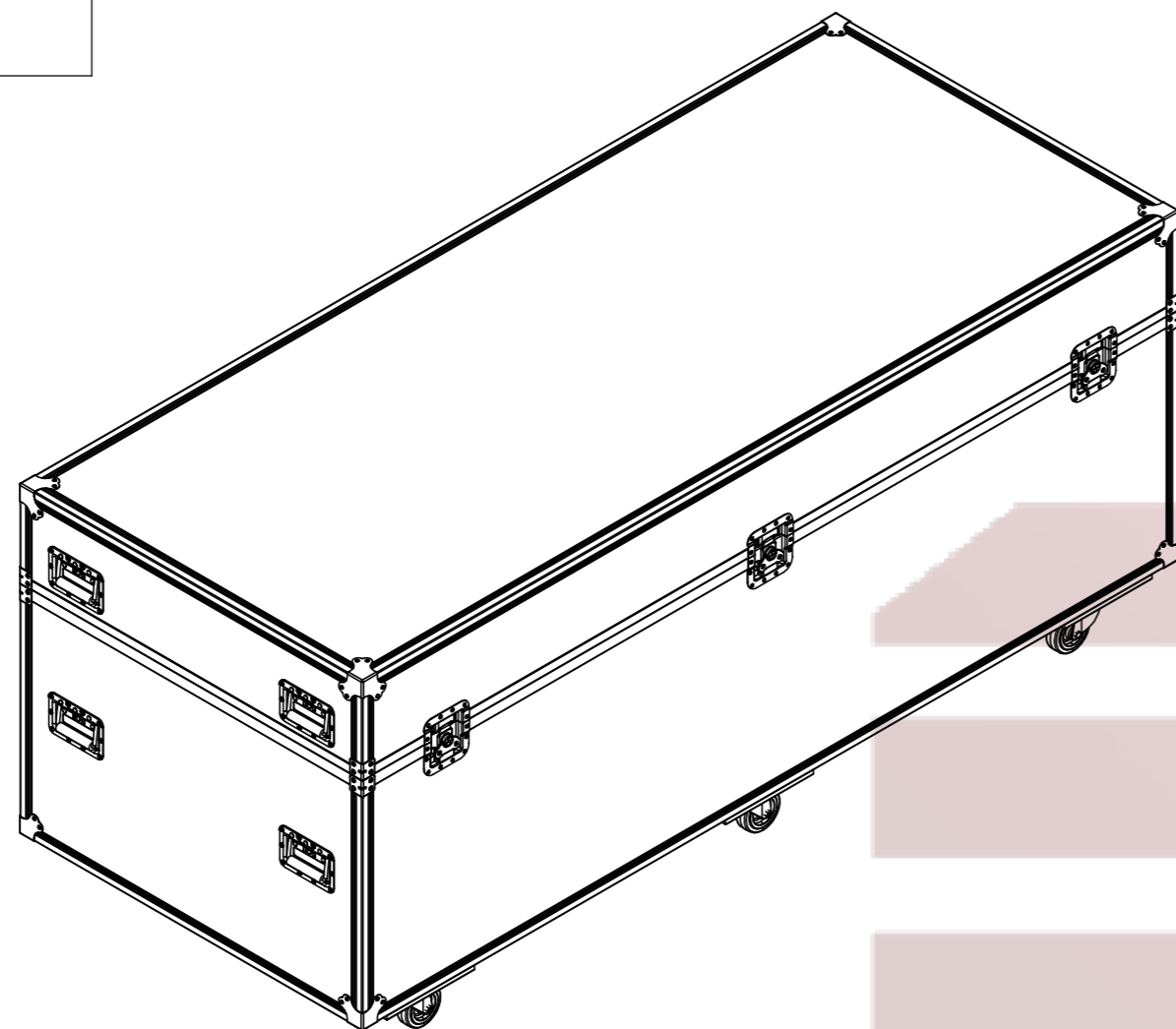


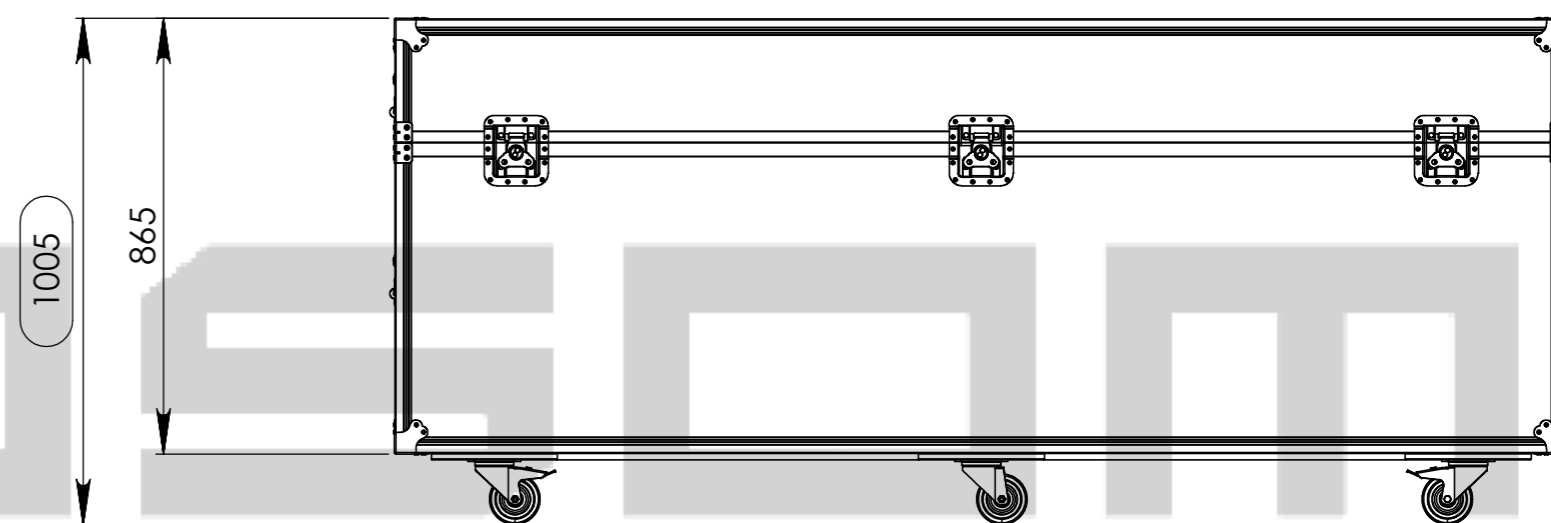
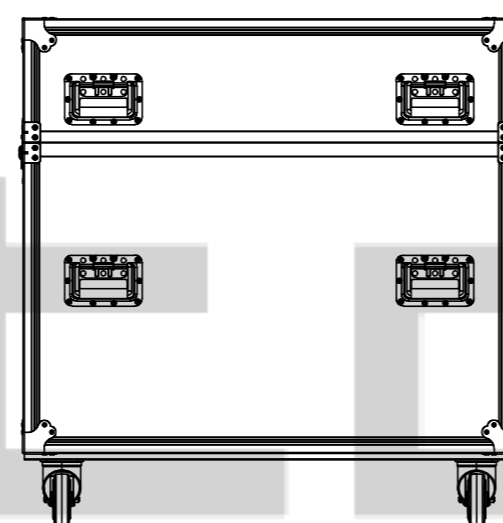
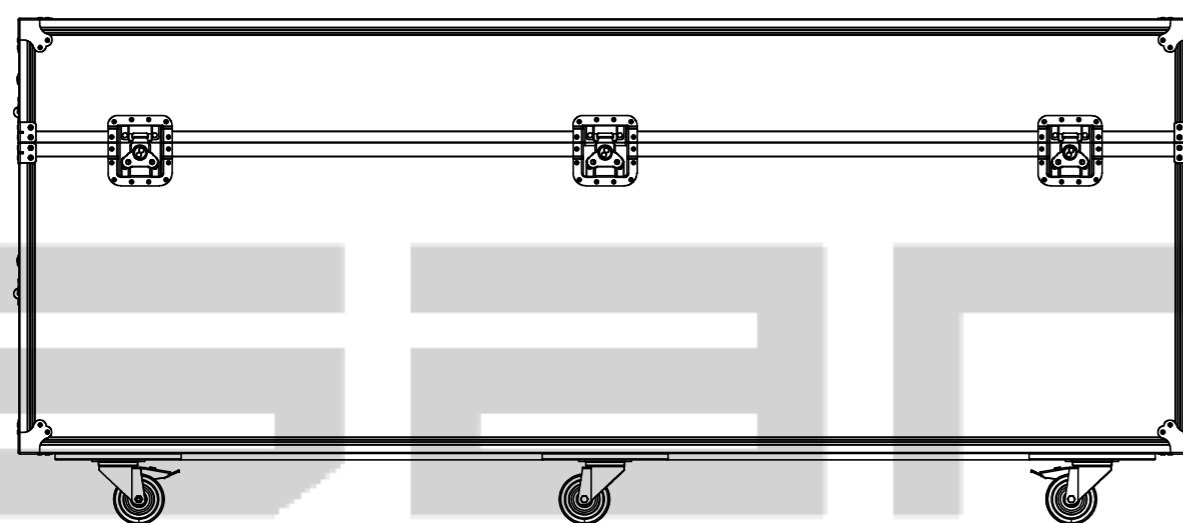
Interior dimensions

Width	Depth	Height
2300	950	840
Weight	Approx. 89 Kg	
Wall Thickness	9mm	

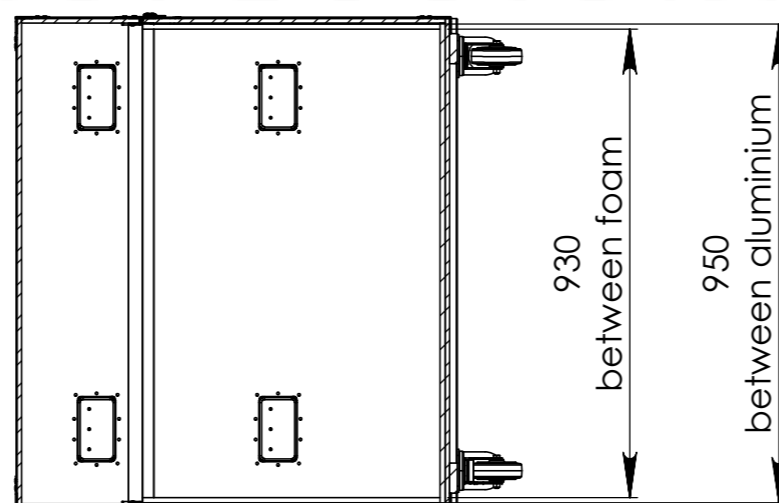
REVISIONS				
ZONE	REV.	DESCRIPTION	DATE	APPROVED
-	0	Final Drawing	21/03/2014	Daniel Lopes



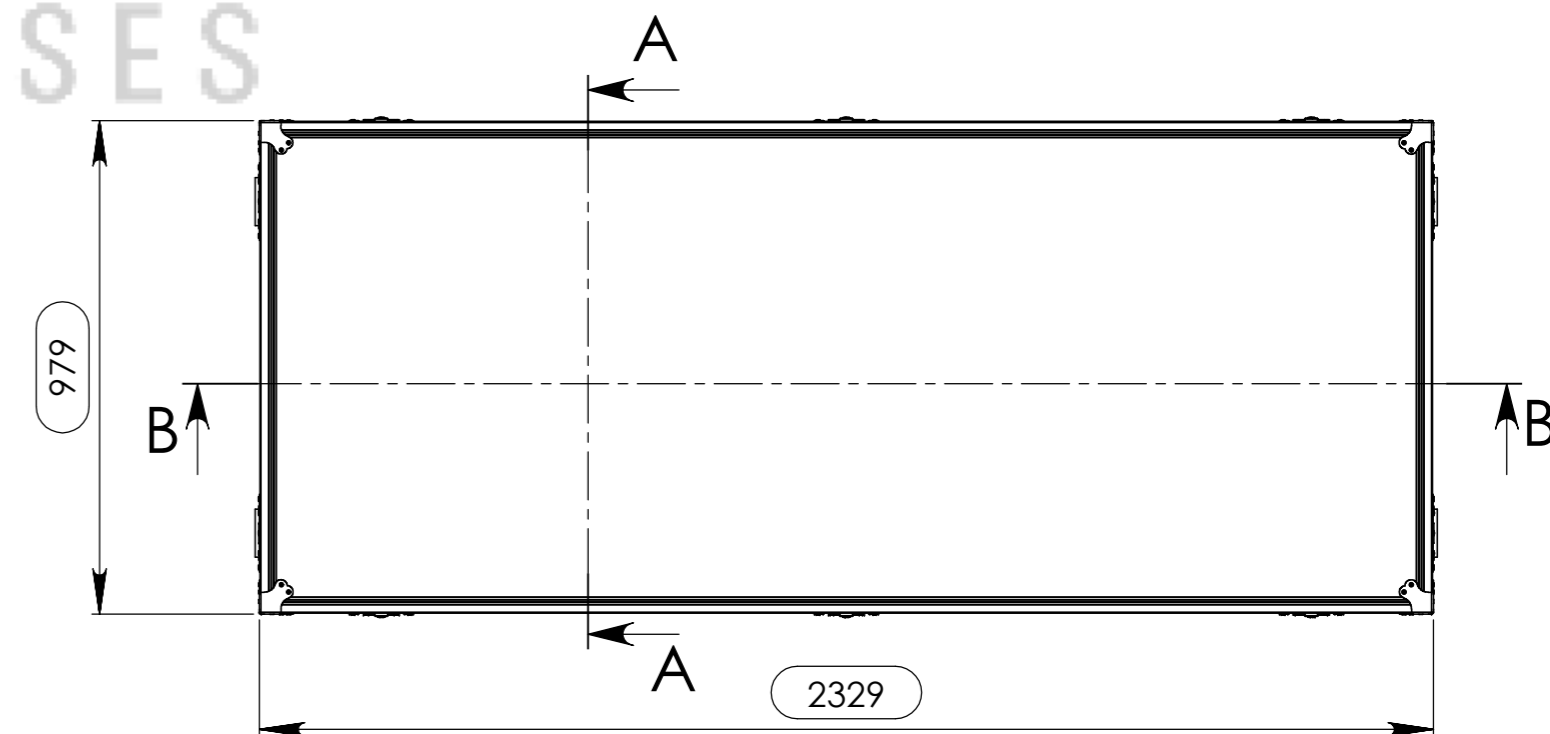
SECTION B-B



PROFESSIONAL CASES



SECTION A-A



Hardware		
Qty	Ref.	Description
8	40403	Large corner bracket f. 35mm case angle
8	4150	Case corner three-leg
6	172531	Large butterfly V3 with 'push-back' function
8	34082	Recessed sprung handle medium model
2	RODA.100T	Swivel castor Ø100mm with brake
4	RODA.100	Swivel castor Ø100 mm

Drawn by	Name	Date
Daniel Lopes	Daniel Lopes	21-03-2014
Reference	2148.STPE	
Scale	1:15	general tolerance ±0.3mm
FC, STAND 9EV3		

This drawing must not be copied or disclosed without consent of the owner