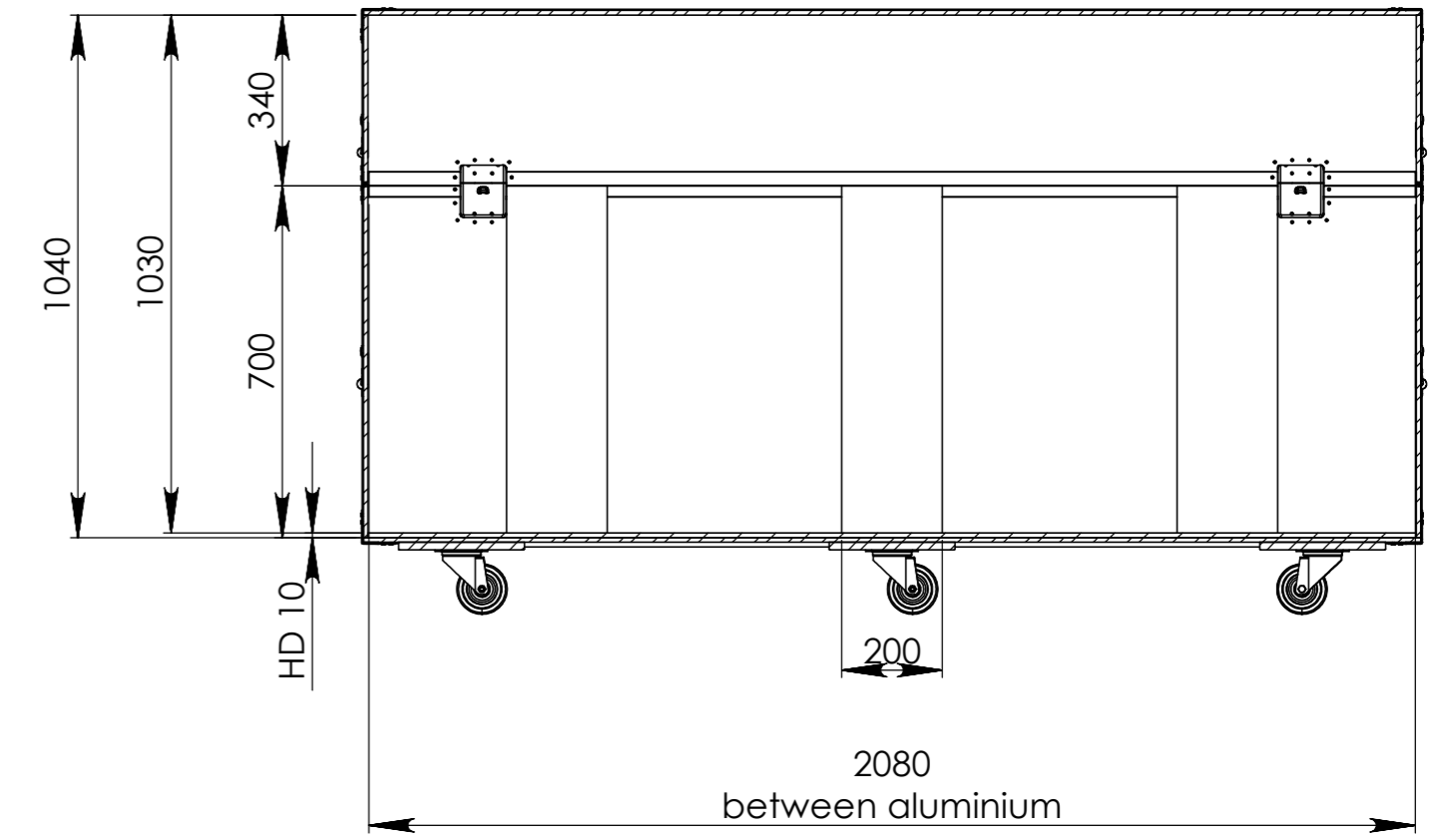
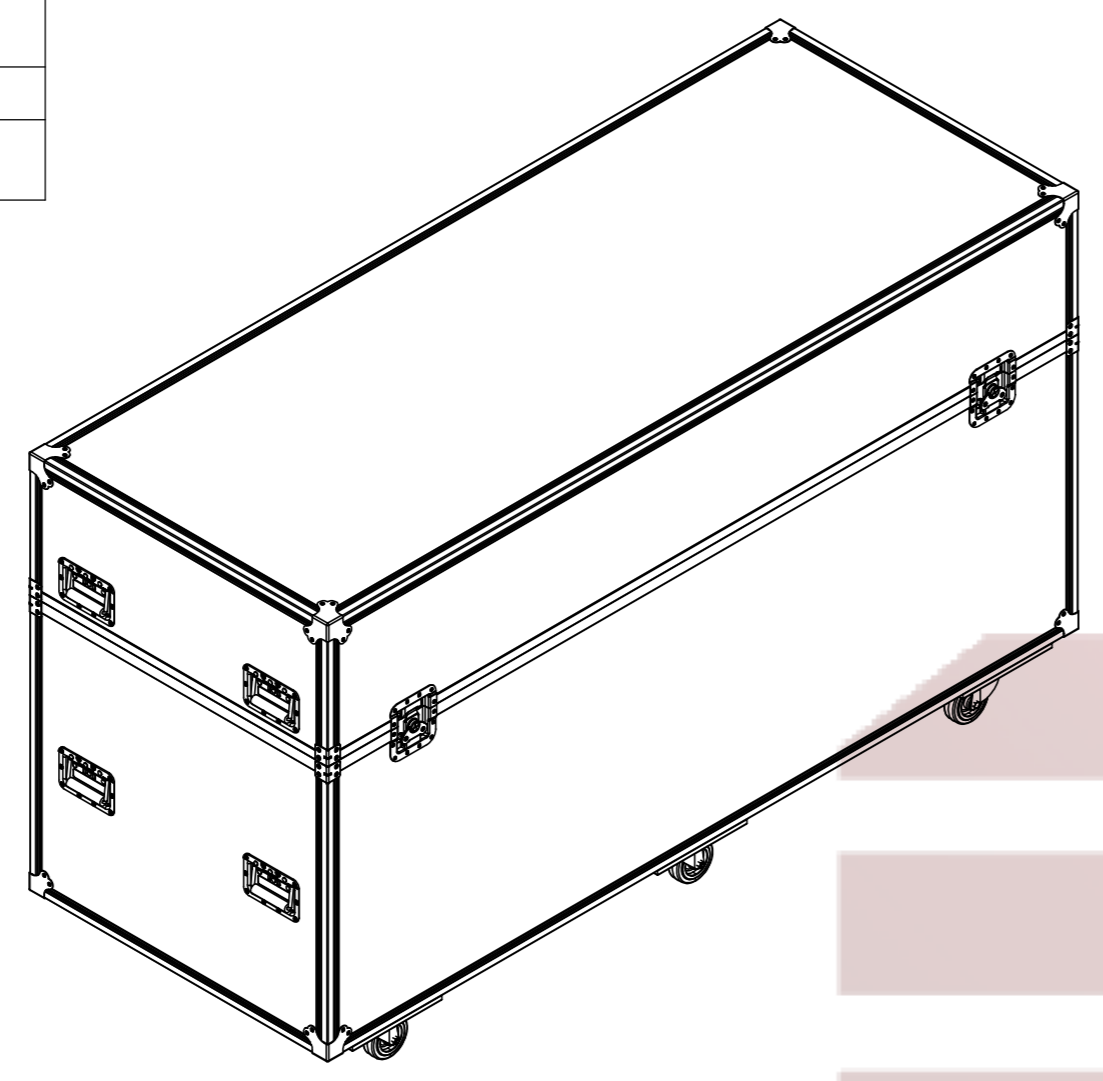
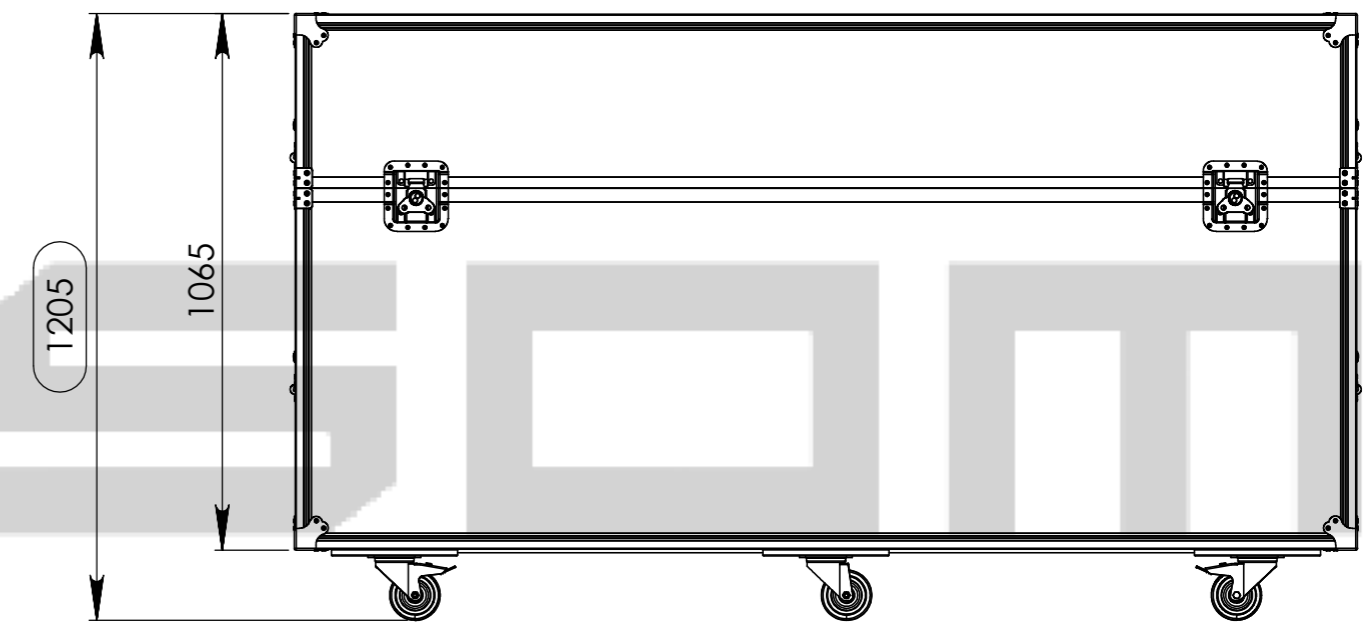
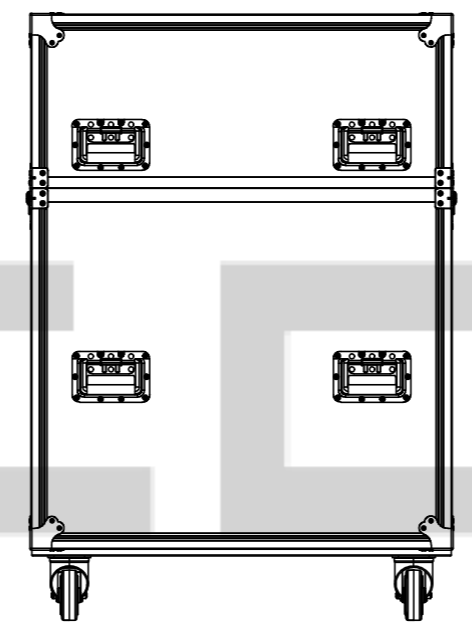
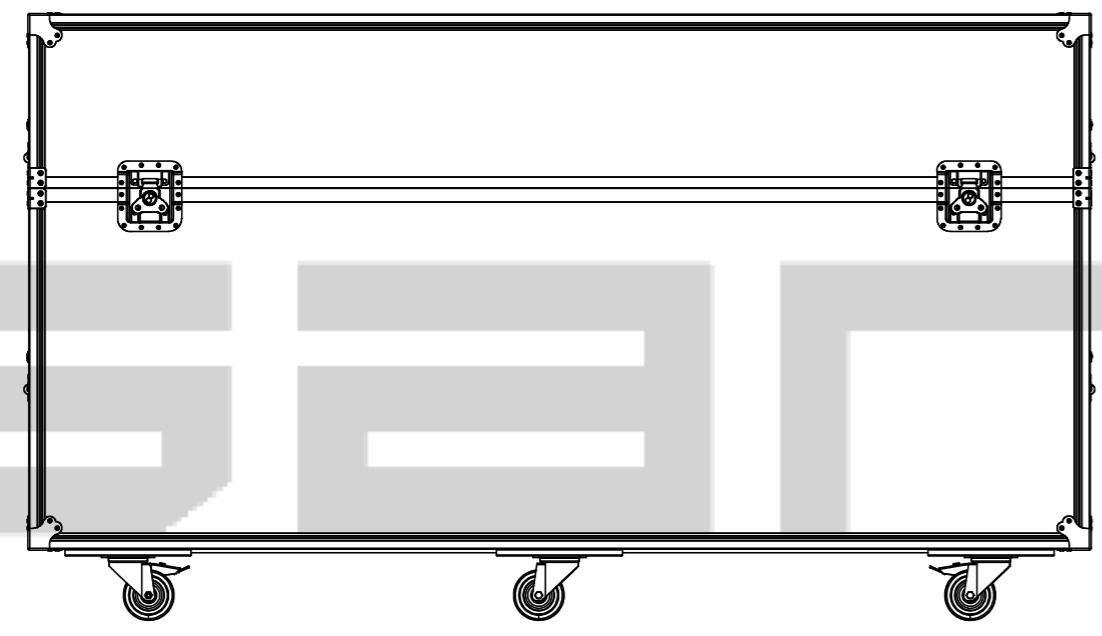


REVISIONS				
ZONE	REV.	DESCRIPTION	DATE	APPROVED
-	0	Final Drawing	07/03/2014	Daniel Lopes

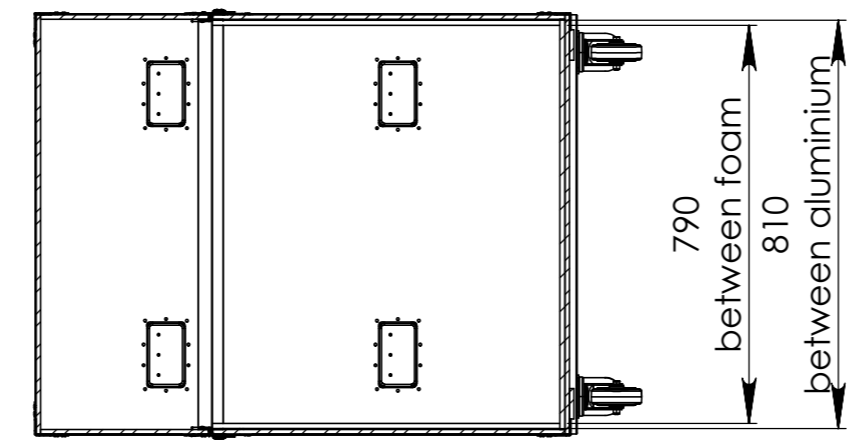
Interior dimensions		
Width	Depth	Height
2080	810	1040
Weight	Approx. 83 Kg	
Wall Thickness	9mm	



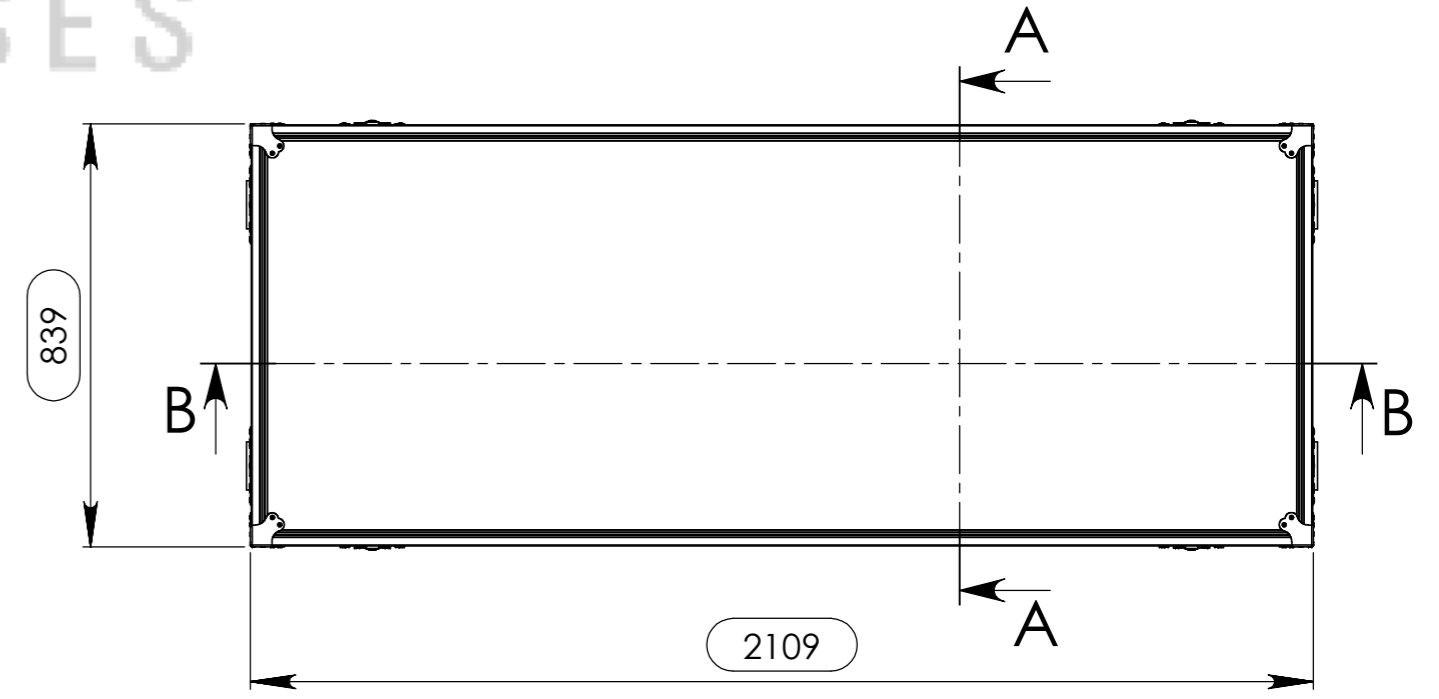
SECTION B-B



PROFESSIONAL CASES



SECTION A-A



Hardware		
Qty	Ref.	Description
8	40403	Large corner bracket f. 35mm case angle
8	4150	Case corner three-leg
4	172531	Large butterfly V3 with 'push-back' function
8	34082	Recessed sprung handle medium model
2	RODA.100T	Swivel castor Ø100mm with brake
4	RODA.100	Swivel castor Ø100 mm

Drawn by	Daniel Lopes	Name	Daniel Lopes	Date	07-03-2014
Reference	2148.ST6A	Scale	1:15	general tolerance	±0.5mm
<small>UPPER CASE</small> <small>DO NOT SCALE</small>		<small>FC, Stand 6AV2</small>			

This drawing must not be copied or disclosed without consent of the owner