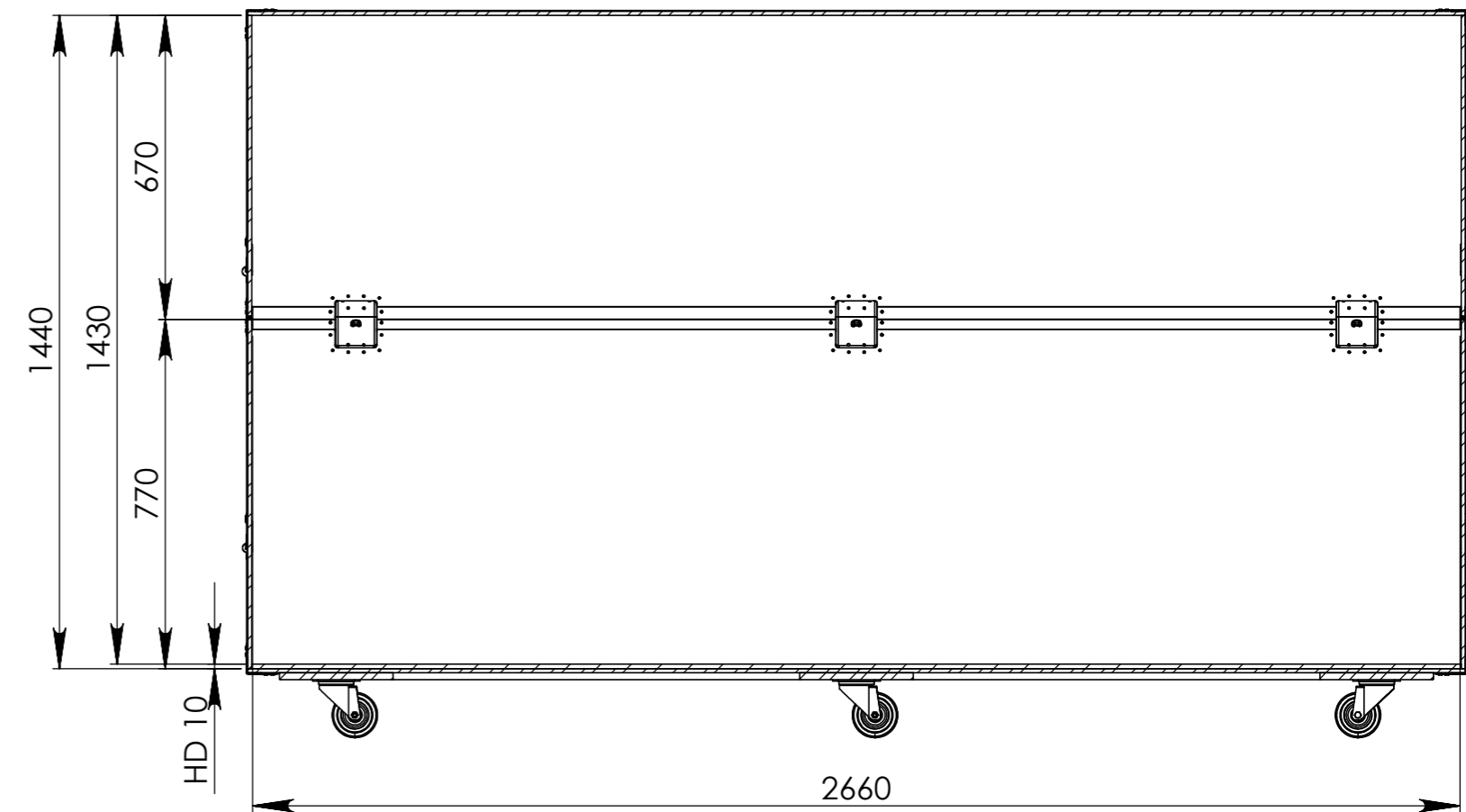
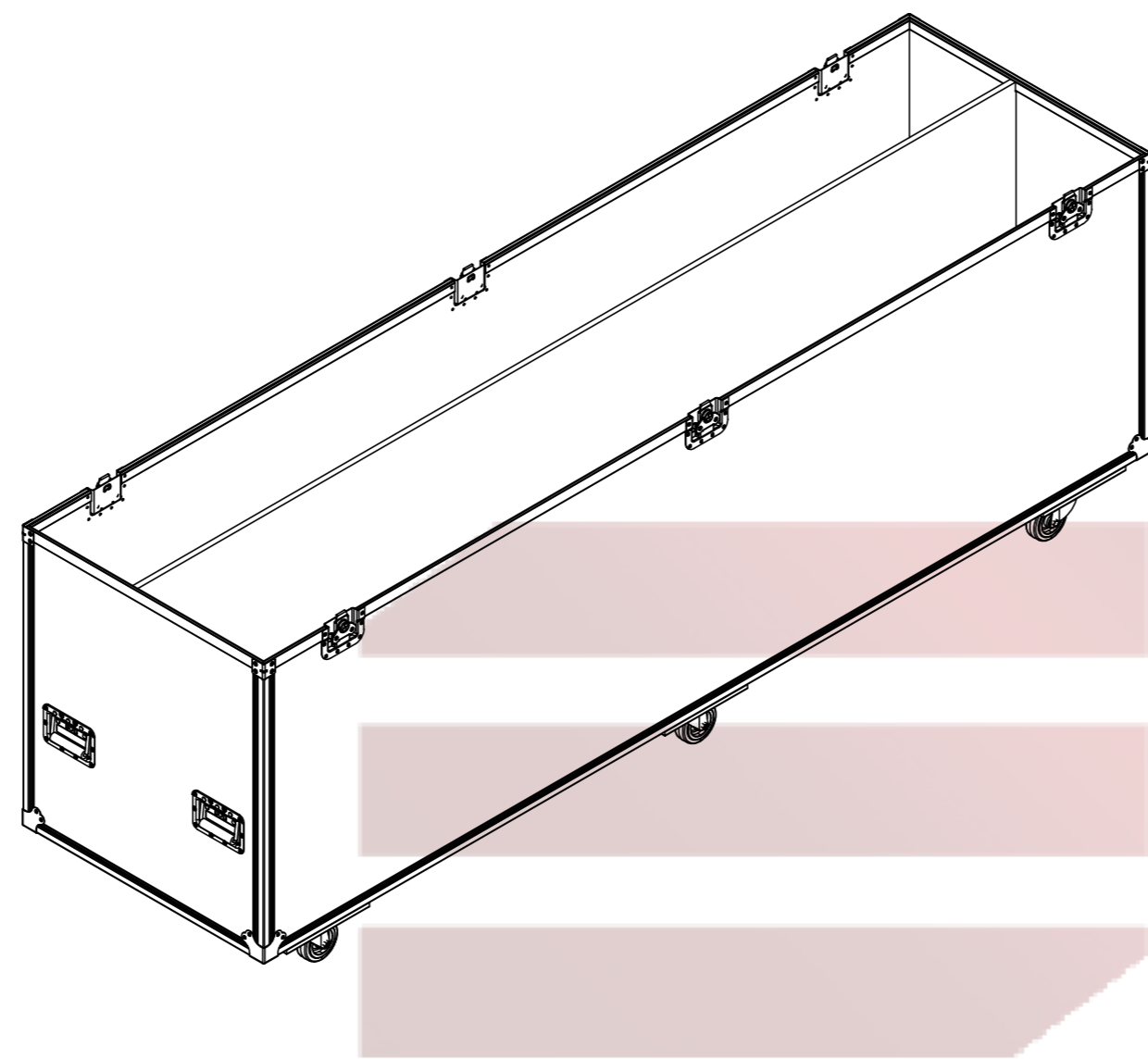
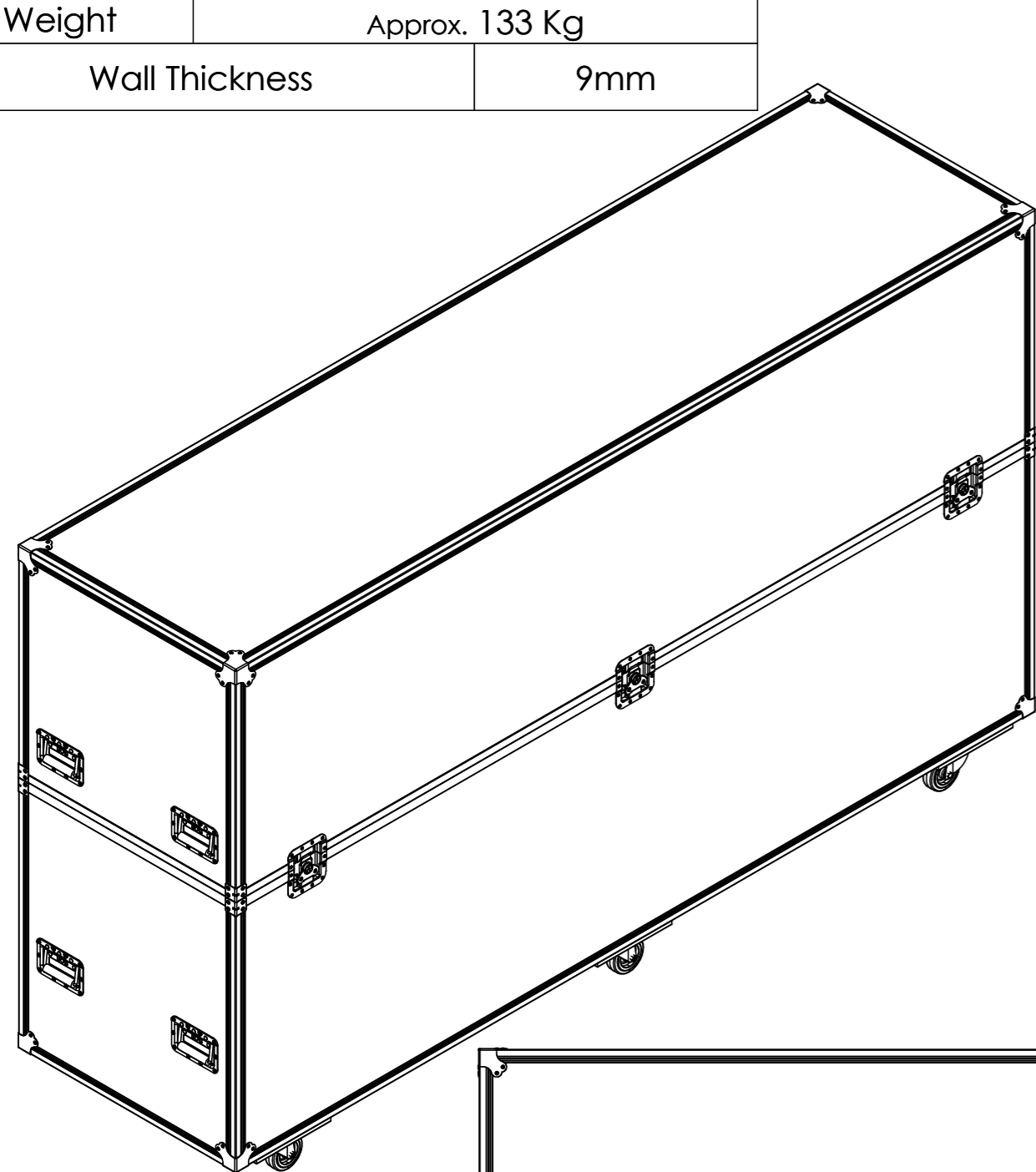
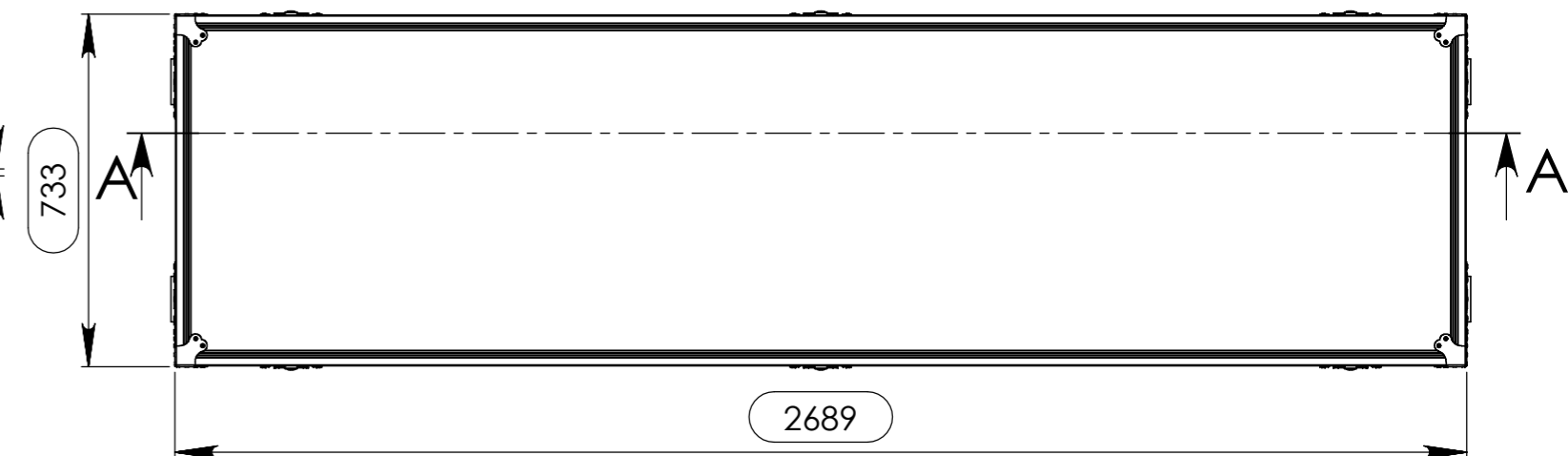
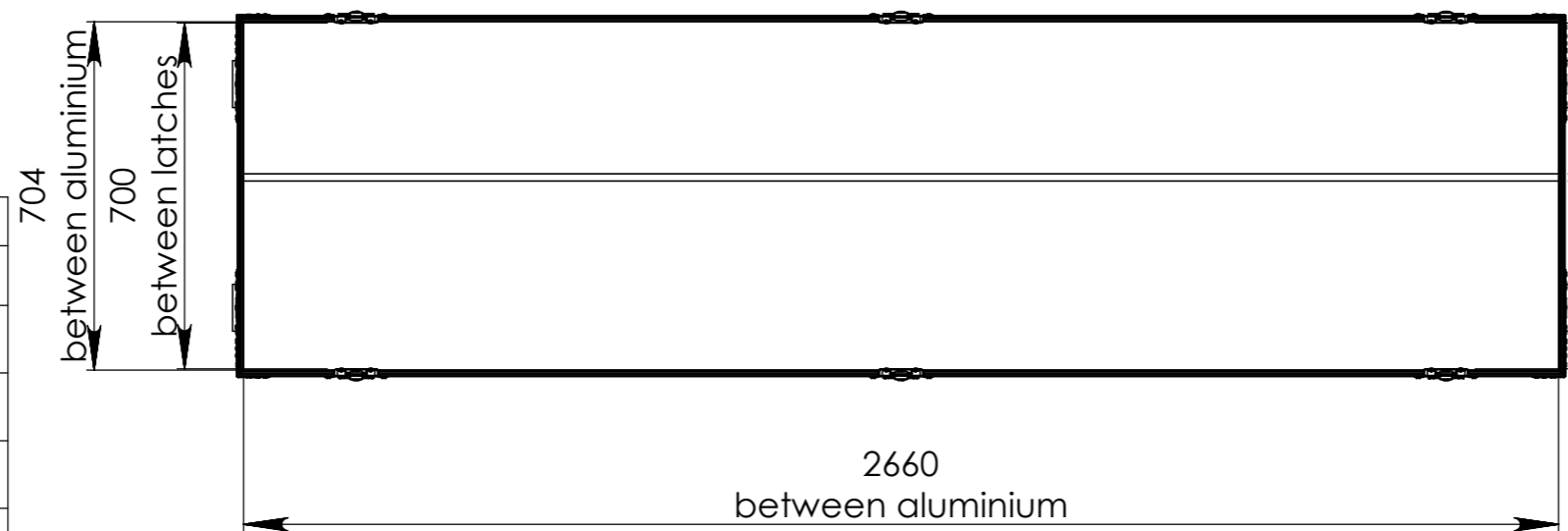
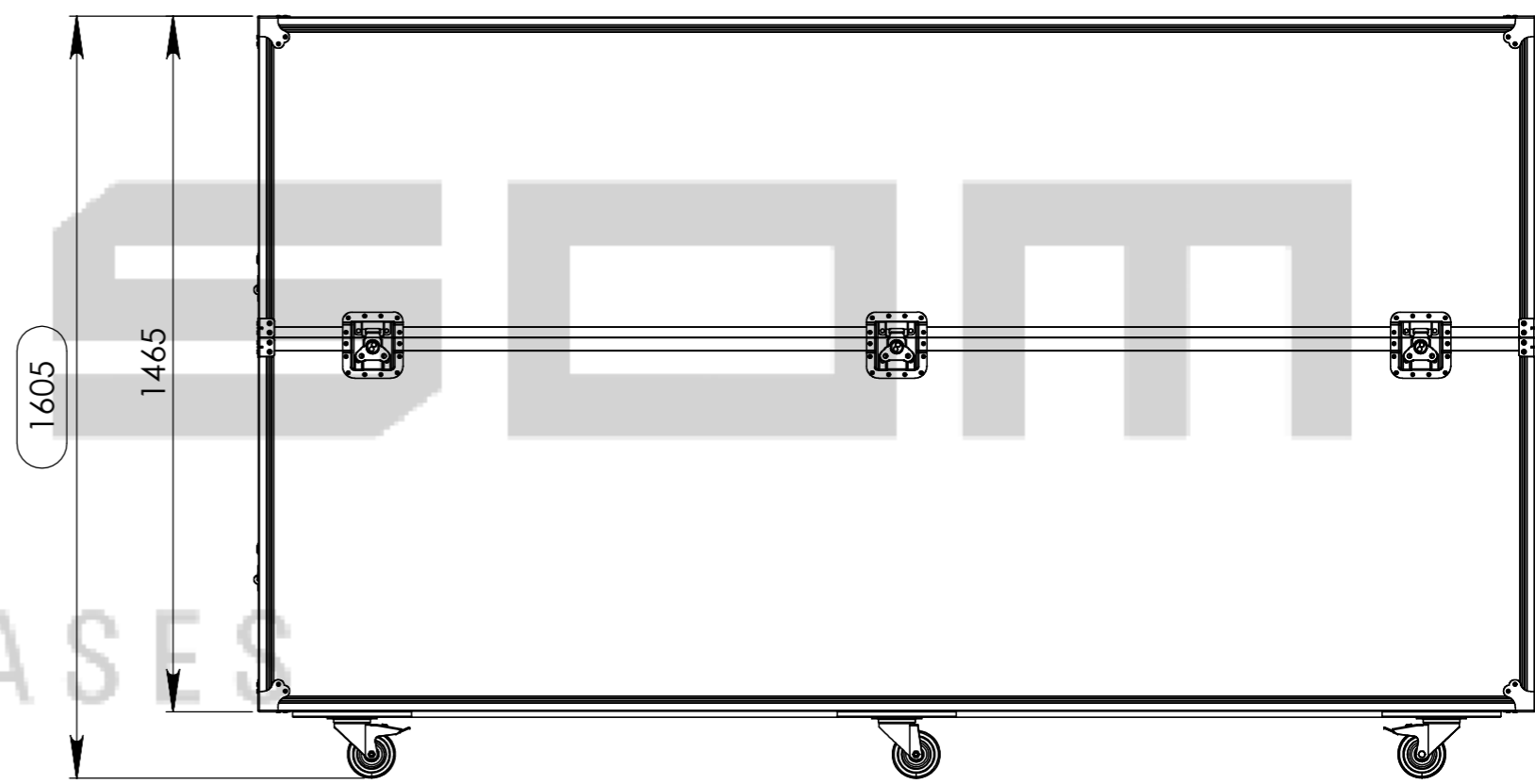
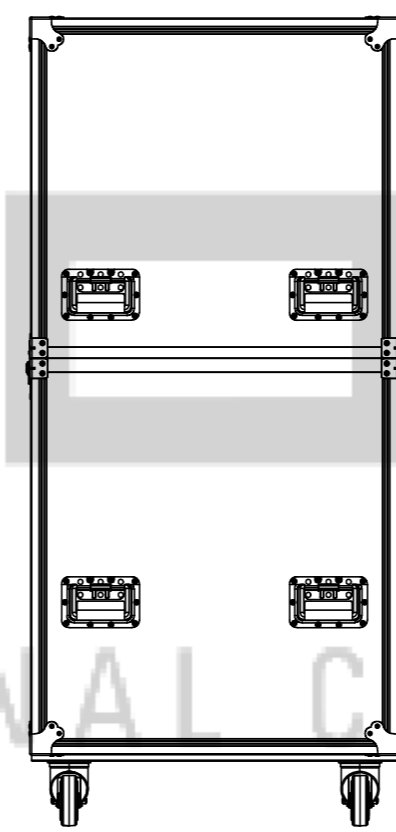
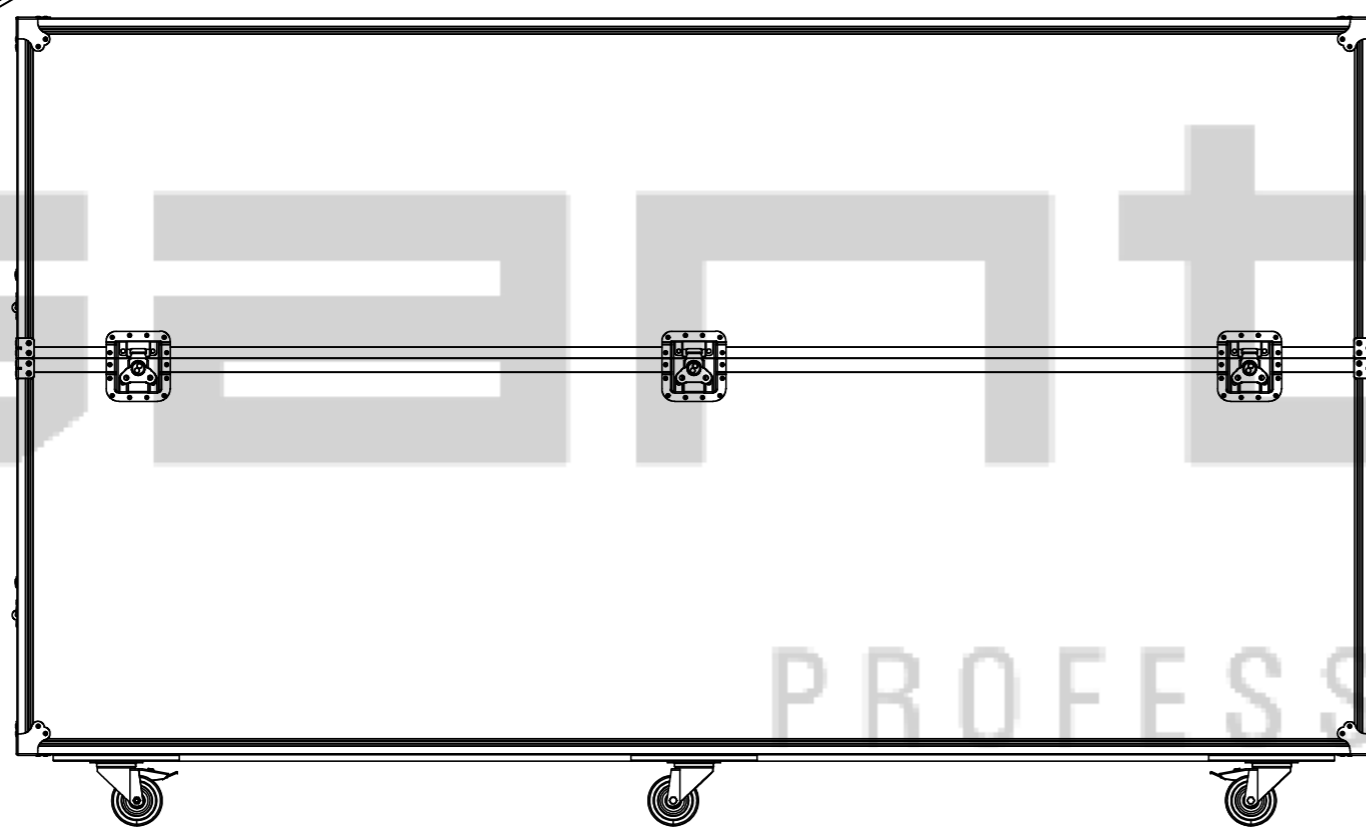


Interior dimensions		
Width	Depth	Height
2660	704	1440
Weight	Approx. 133 Kg	
Wall Thickness	9mm	

REVISIONS				
ZONE	REV.	DESCRIPTION	DATE	APPROVED
-	0	Final Drawing	21/03/2014	Daniel Lopes



SECTION A-A



Hardware		
Qty	Ref.	Description
8	40403	Large corner bracket f. 35mm case angle
8	4150	Case corner three-leg
6	172531	Large butterfly V3 with 'push-back' function
8	34082	Recessed sprung handle medium model
2	RODA.100T	Swivel castor Ø100mm with brake
4	RODA.100	Swivel castor Ø100 mm

Drawn by	Daniel Lopes	Name	Daniel Lopes	Date	21-03-2014
Reference	2148.ST12AB	Scale	1:15	general tolerance	± 0.5mm
<small> This drawing must not be copied or disclosed without consent of the owner 1st Angle projection </small>		<small> DO NOT SCALE FC. STAND 12ABV3 </small>			