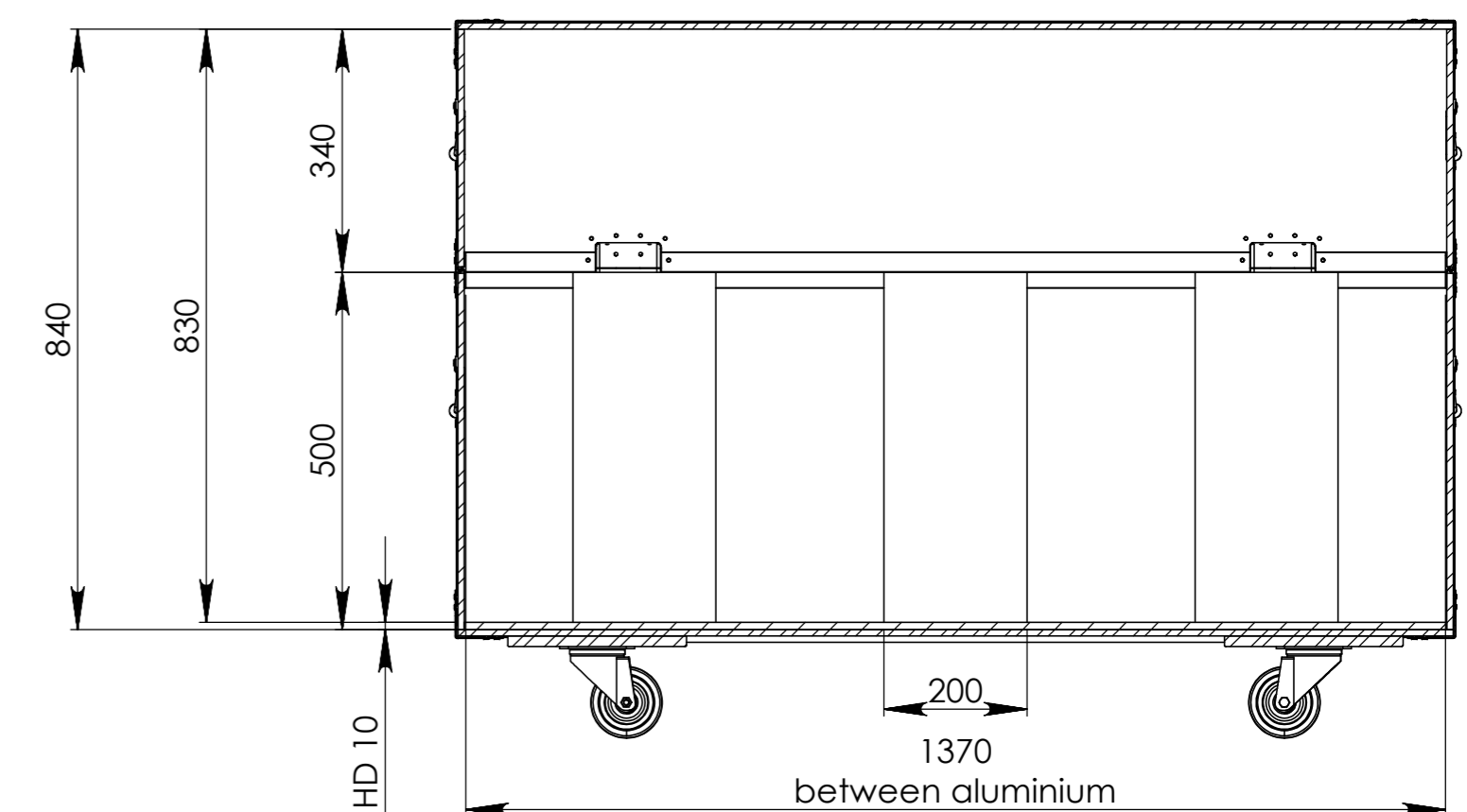
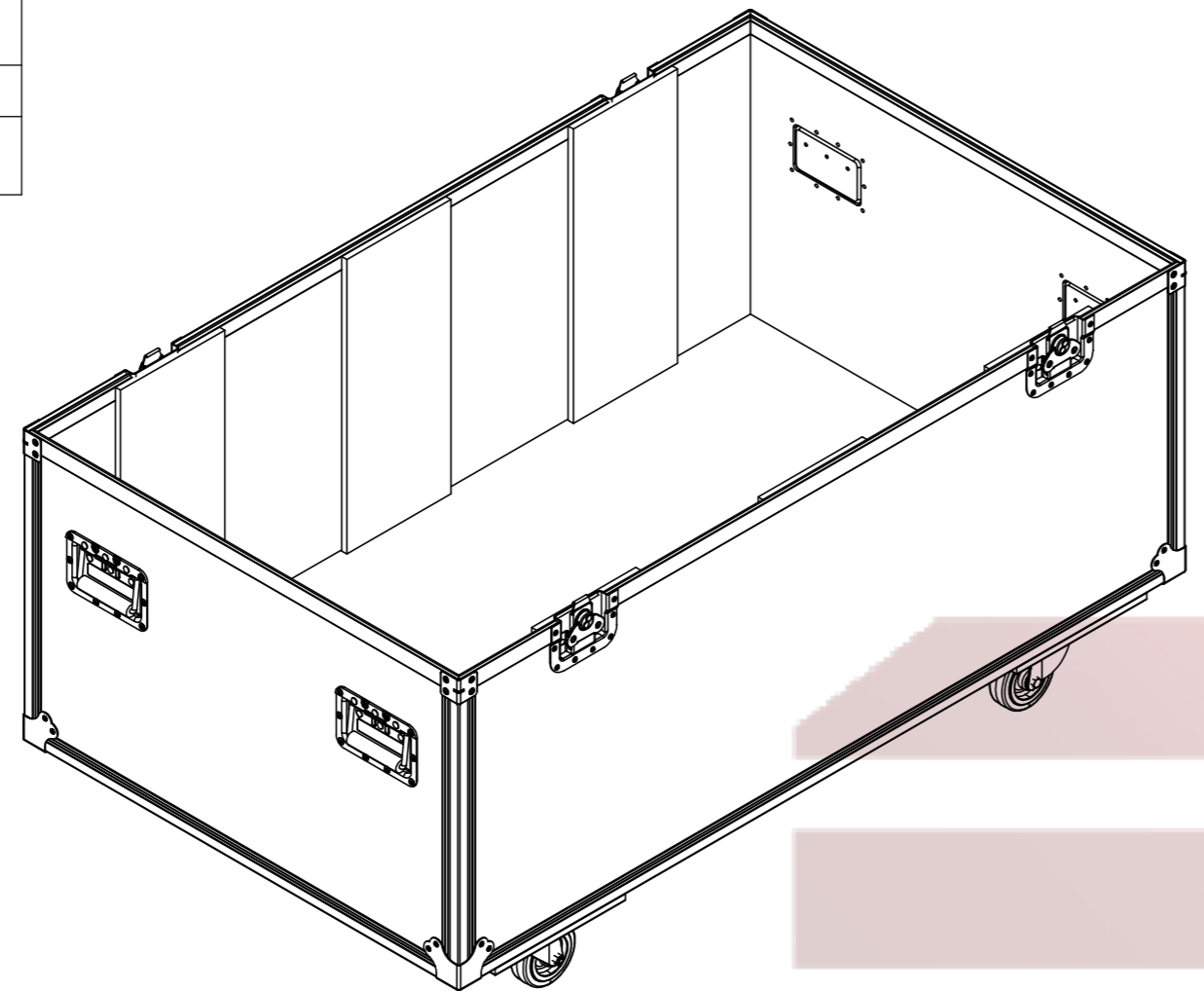


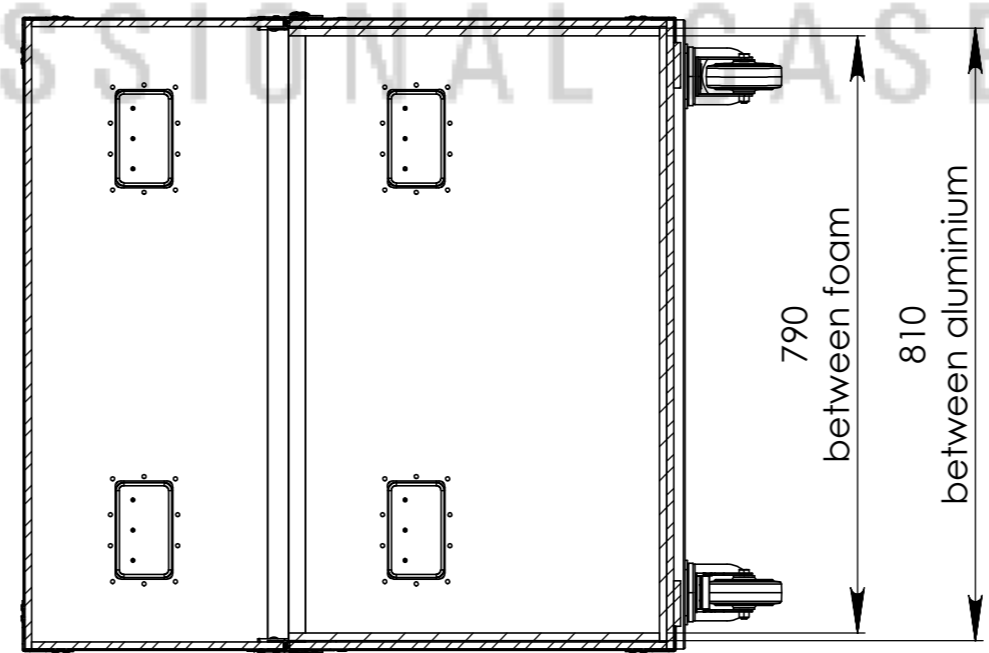
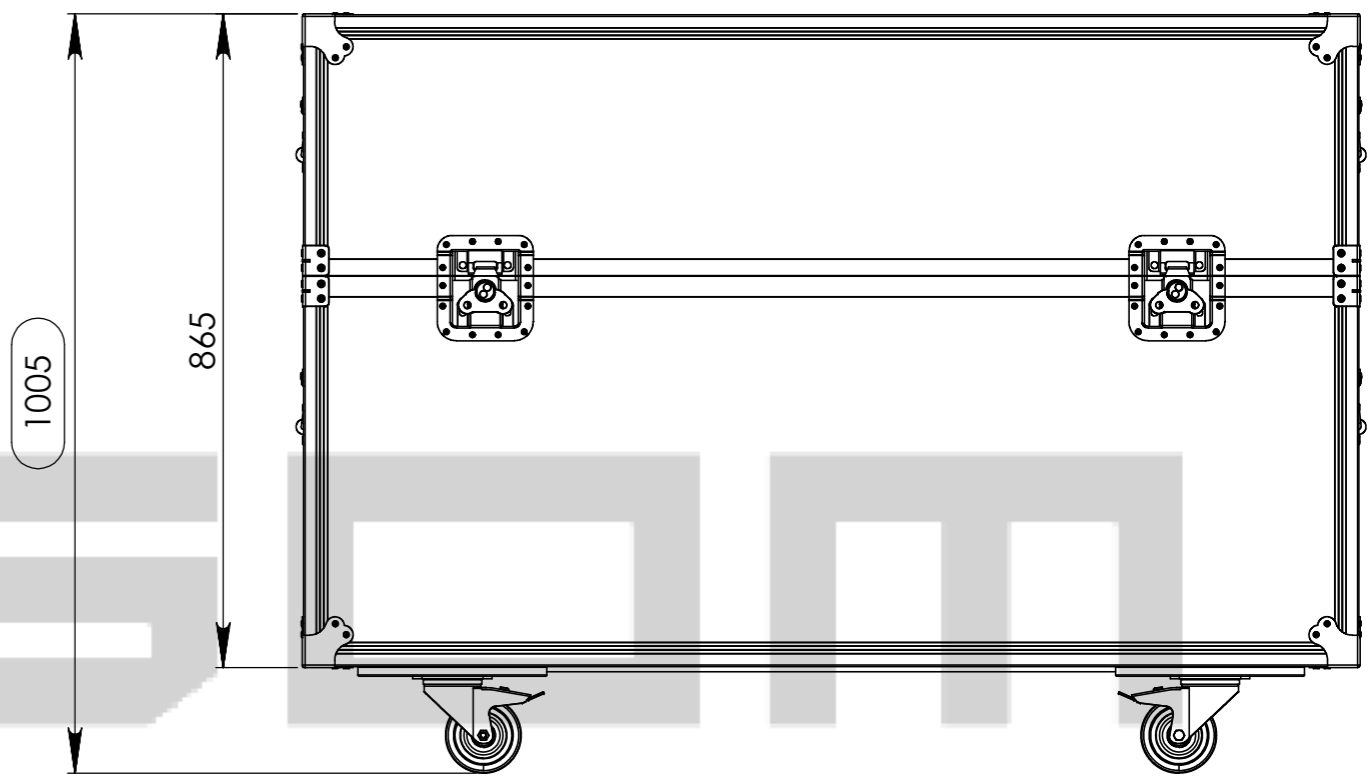
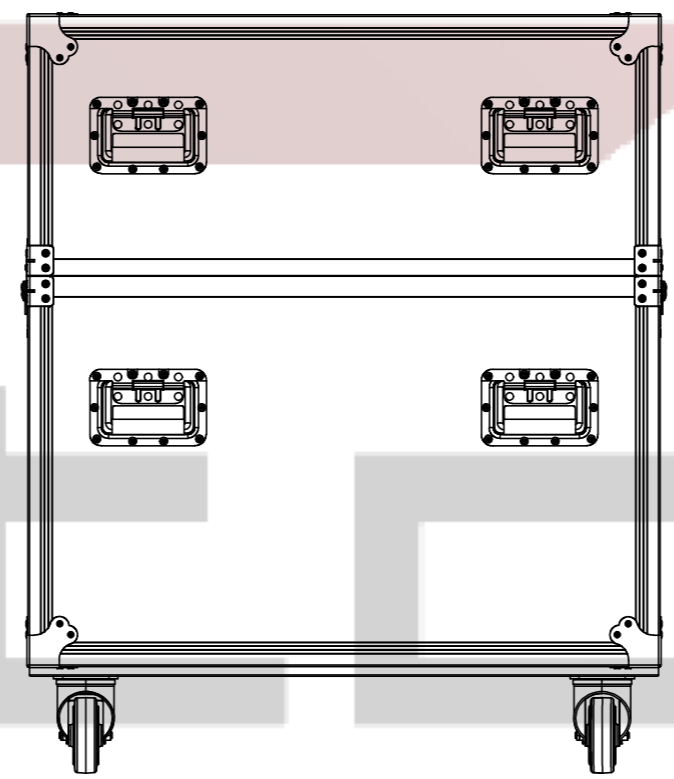
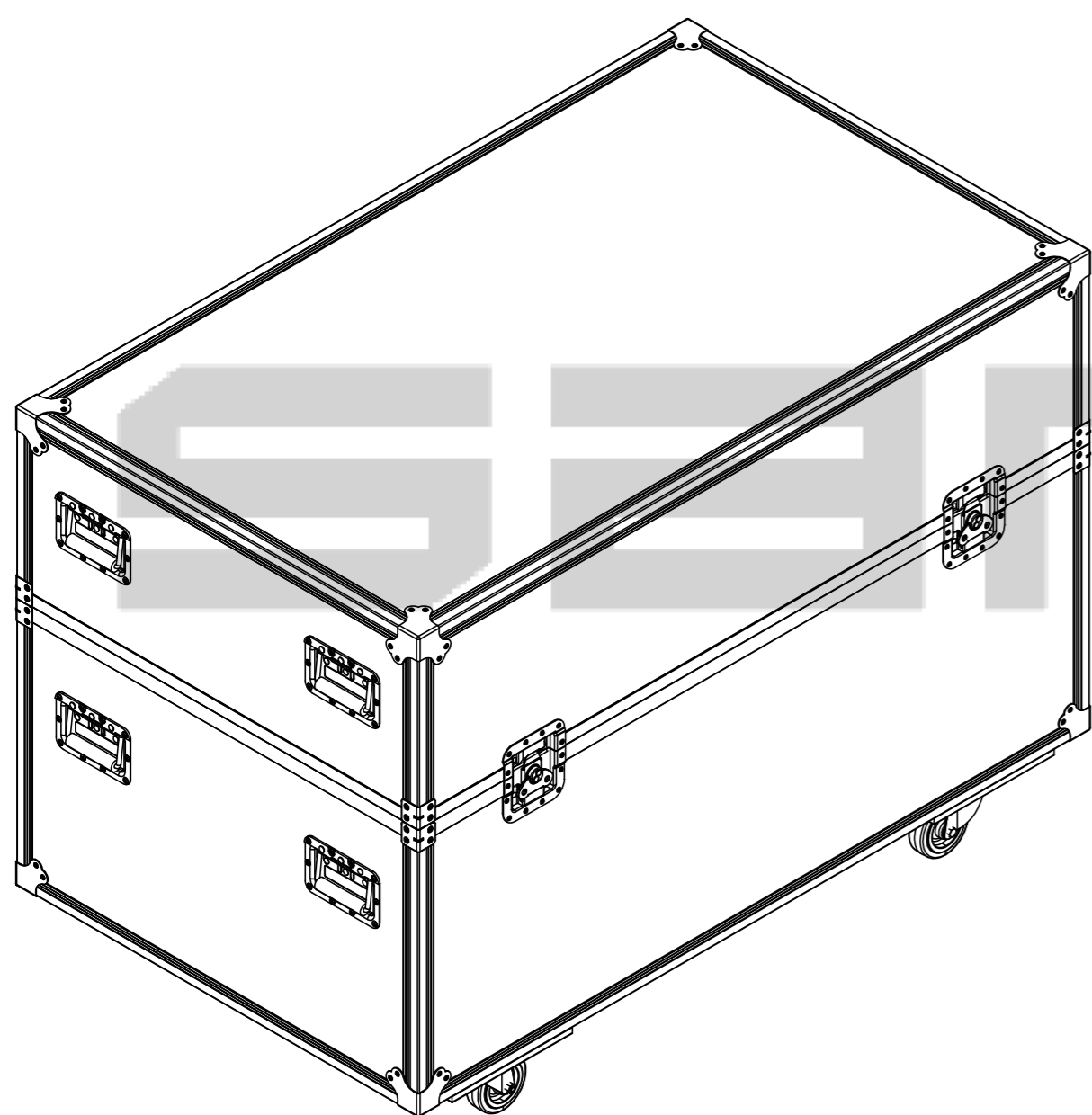
Interior dimensions

Width	Depth	Height
1370	810	840
Weight	Approx. 55 Kg	
Wall Thickness	9mm	

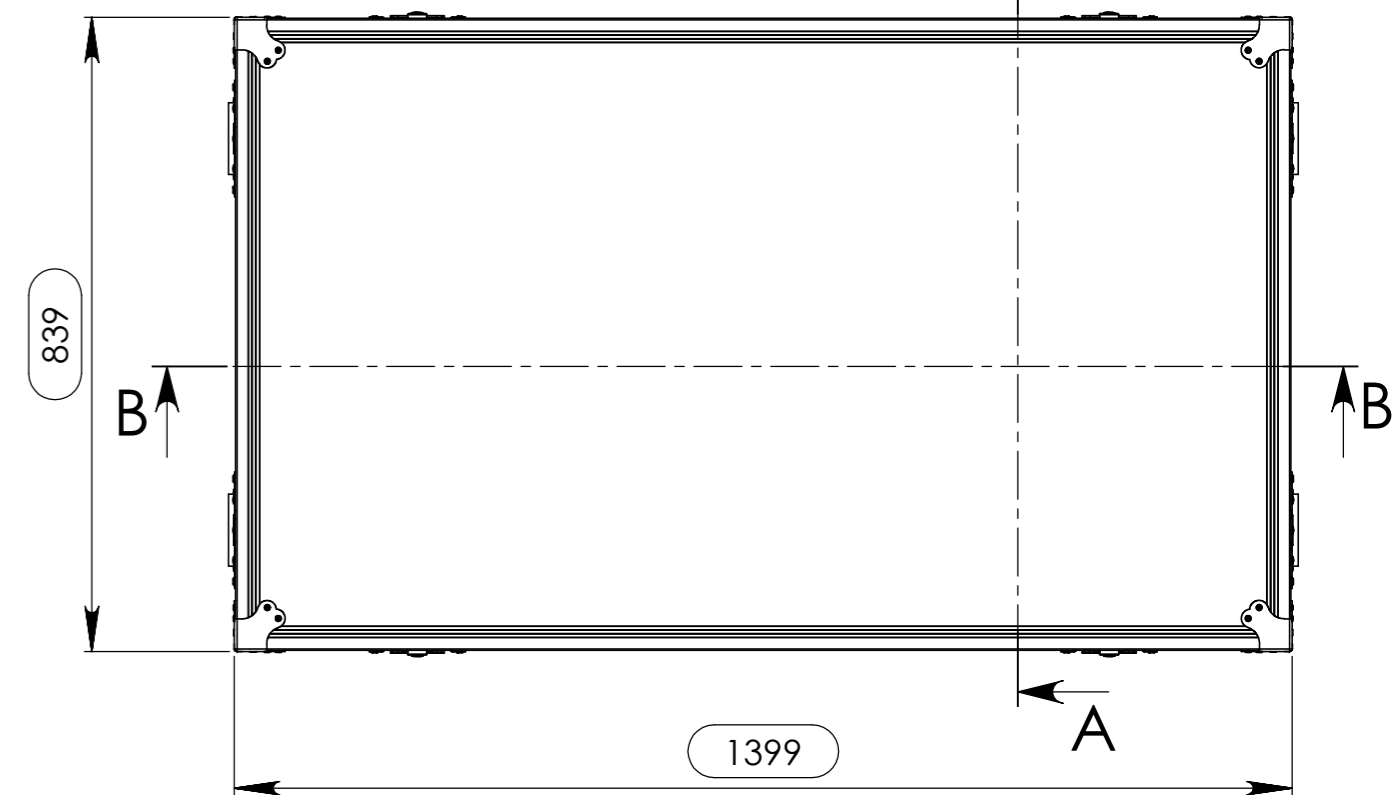
REVISIONS				
ZONE	REV.	DESCRIPTION	DATE	APPROVED
-	0	Final Drawing	11/03/2014	Daniel Lopes



SECTION B-B



SECTION A-A



Hardware		
Qty	Ref.	Description
8	40403	Large corner bracket f. 35mm case angle
8	4150	Case corner three-leg
4	172531	Large butterfly V3 with 'push-back' function
8	34082	Recessed sprung handle medium model
2	RODA.100T	Swivel castor Ø100mm with brake
2	RODA.100	Swivel castor Ø100 mm

Drawn by	Daniel Lopes	Name	Daniel Lopes	Date	11-03-2014
Reference	2148.ST11AB	Scale	1:10	general tolerance	±0.5mm
This drawing must not be copied or disclosed without consent of the owner		Scale 1:10 1st Angle projection	FC. Stand 11ABV2		

