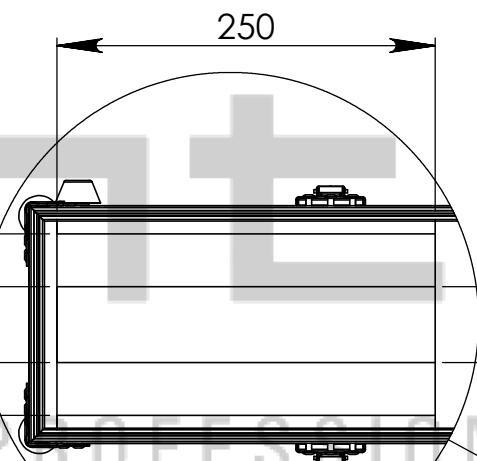
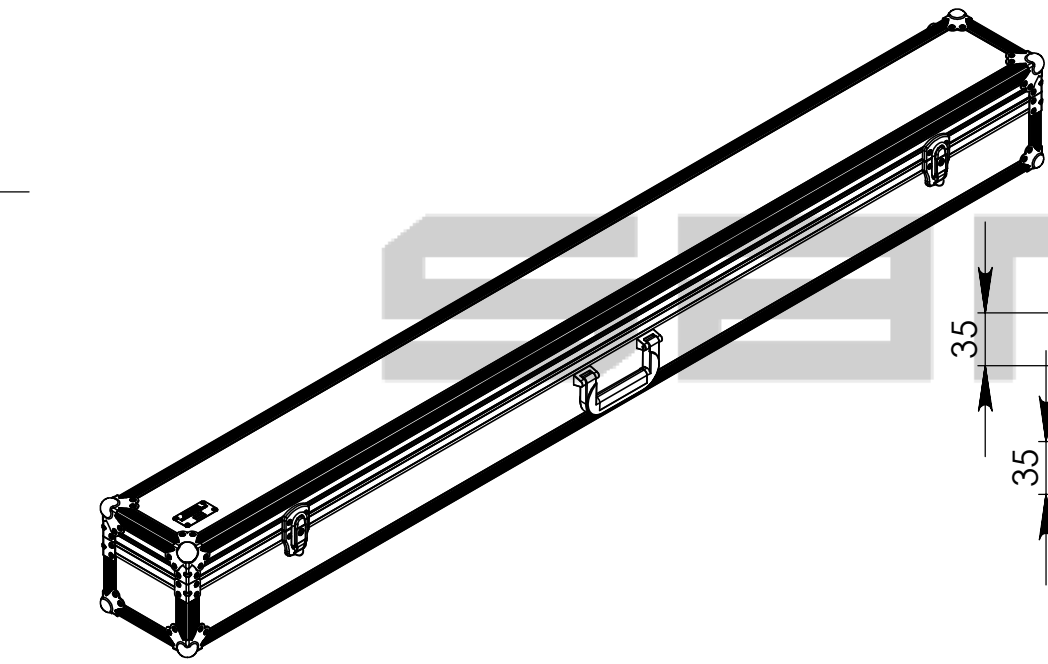
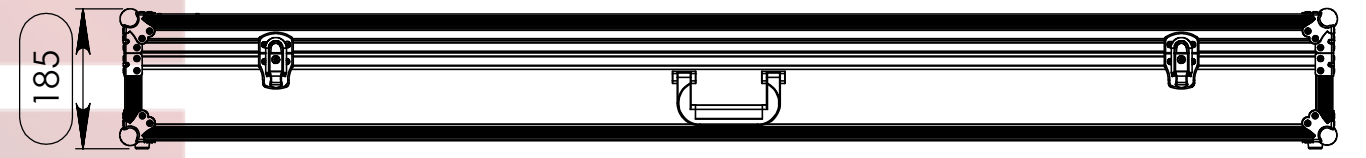
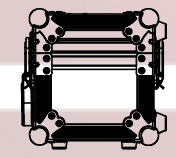
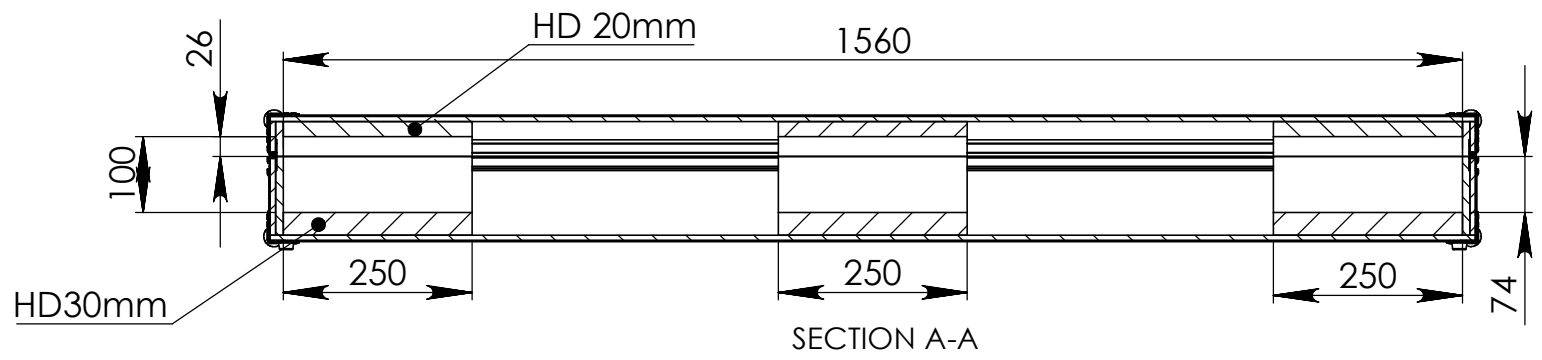
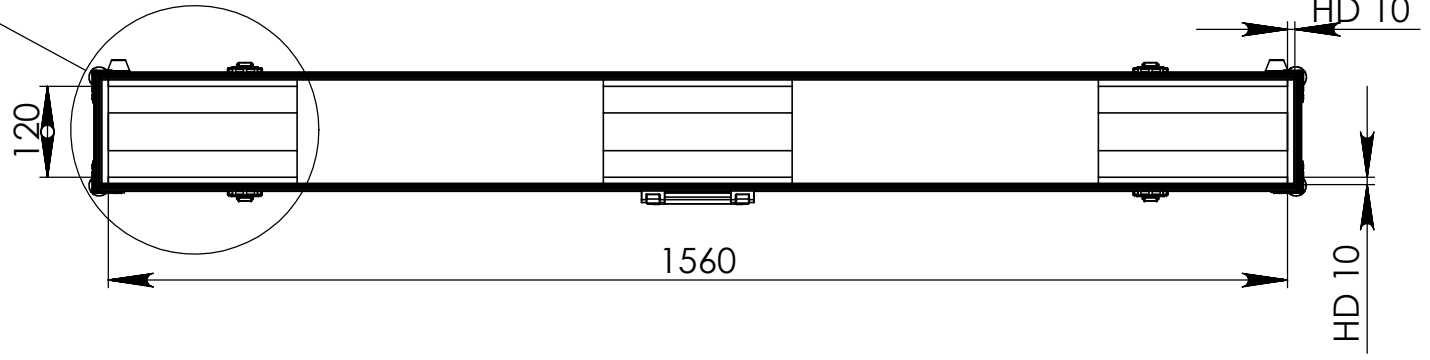
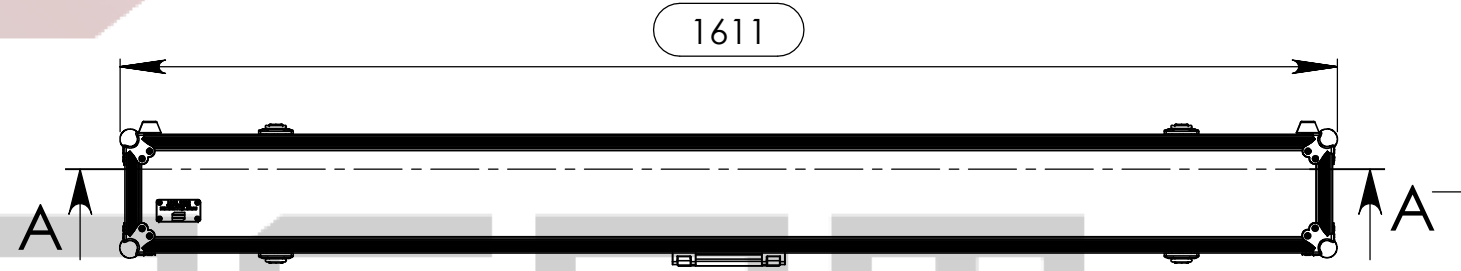


Interior dimensions		
Width	Depth	Height
1560	120	100
Weight	Approx. 7 Kg	
Wall Thickness	7mm	

REVISIONS				
ZONE	REV.	DESCRIPTION	DATE	APPROVED
-	-	Final Drawing	17/01/2014	Daniel Lopes



SCALE 1 : 5



Hardware		
Qty	Ref.	Description
8	40407	Medium corner-brace zinc plated 1,0mm
8	C1345Z	Small ball corner - 3 leg - zinc plated
4	1903	Heavy drawbolt with lock chrome
4	4903	Rubber foot 20 x 9 mm, black
1	3430	Chrome plated plastic with soft black plastic insert
4	4901	Rubber foot 30 x 15mm, black

This drawing must not be copied or disclosed without consent of the owner

Drawn by	DanielLopes	Date	17-01-2014
Reference	2126.100		
Scale	1:10	units in mm	general tolerance 0.8mm
1st Angle projection	FC. 2 TUBES SLIDER 1560X120X100MM		

