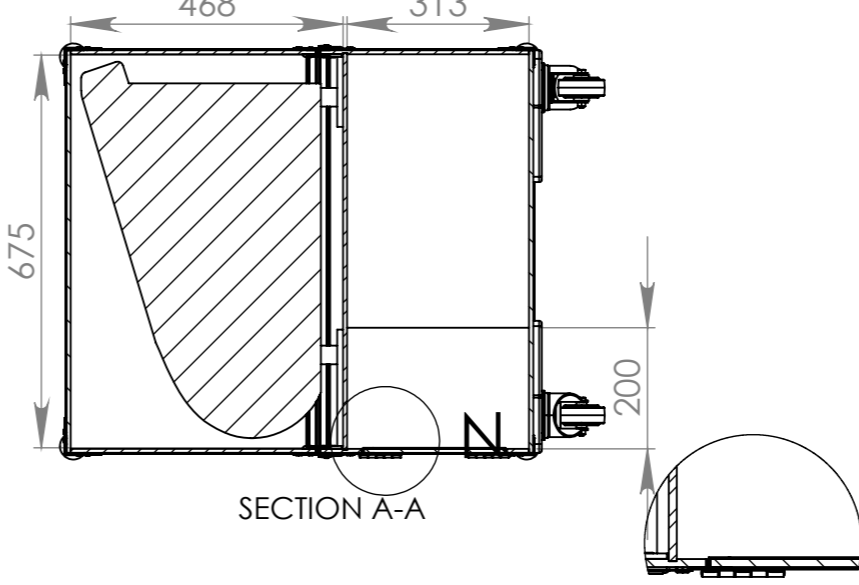
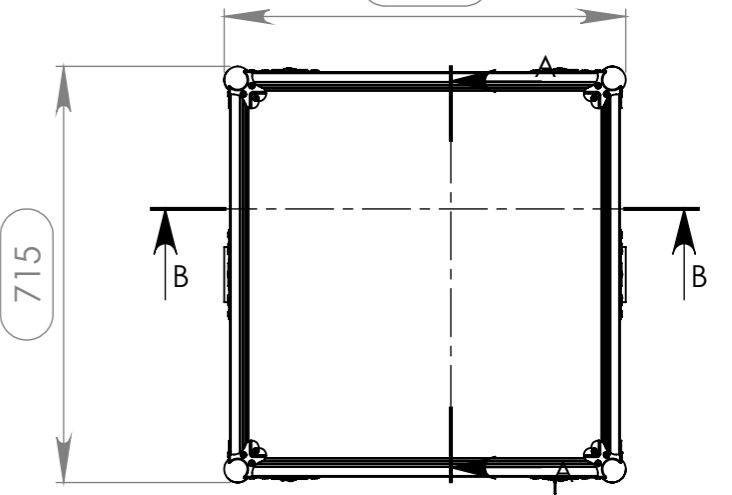
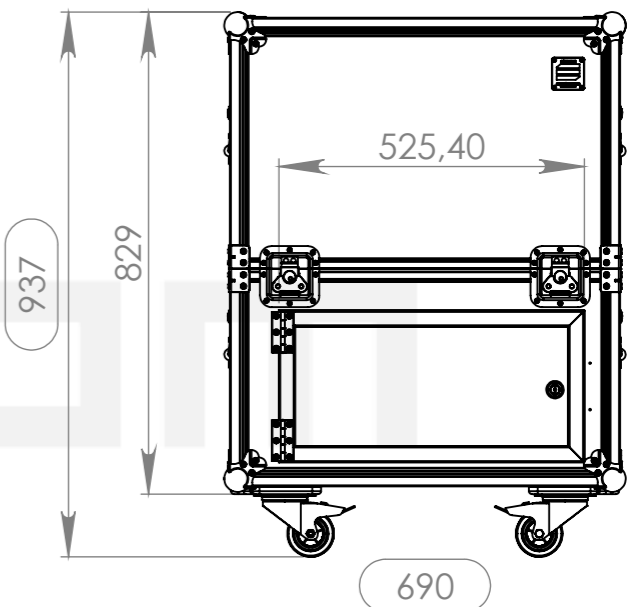
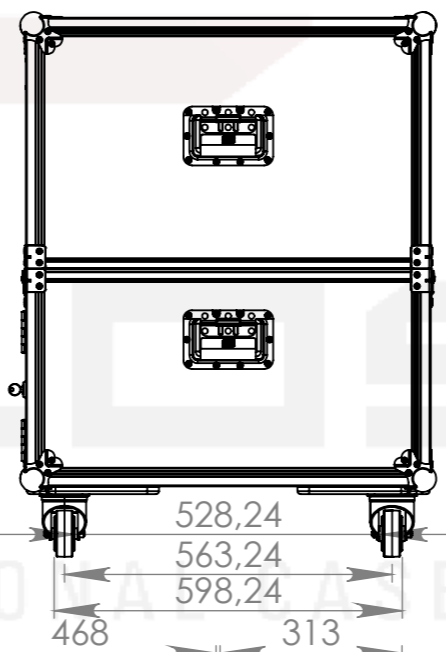
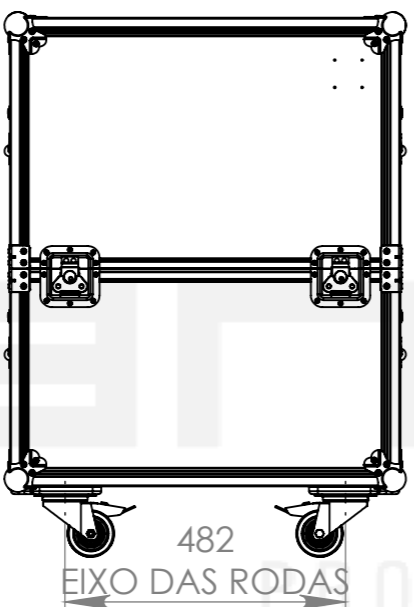
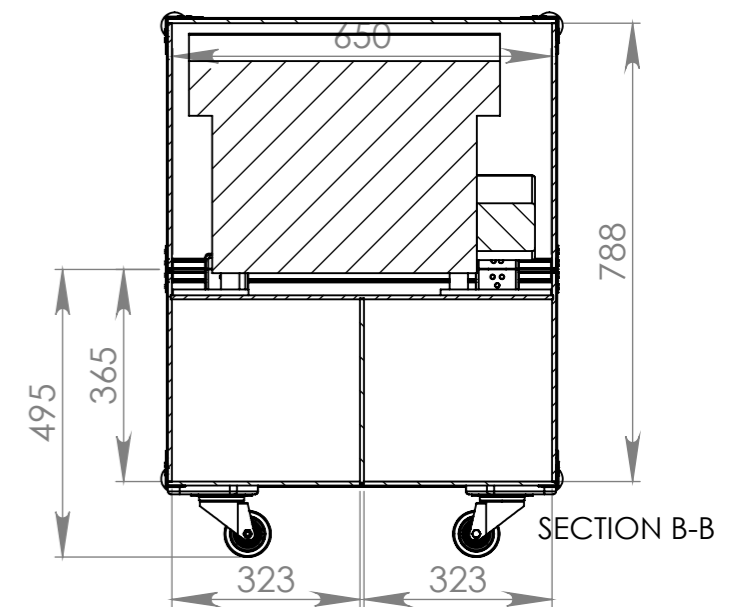
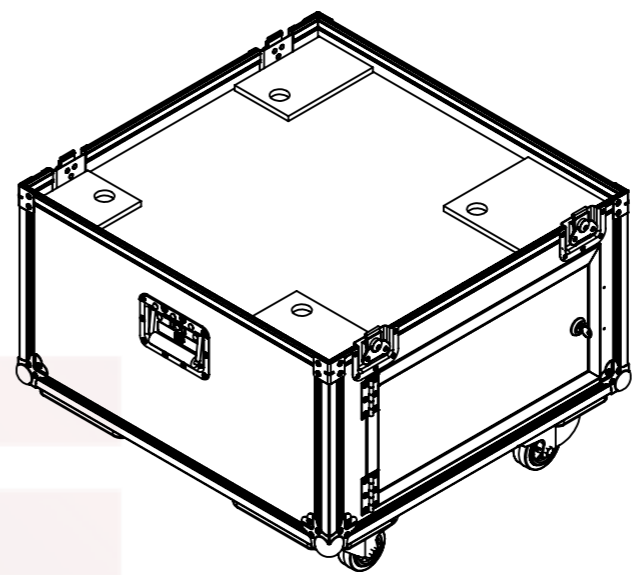
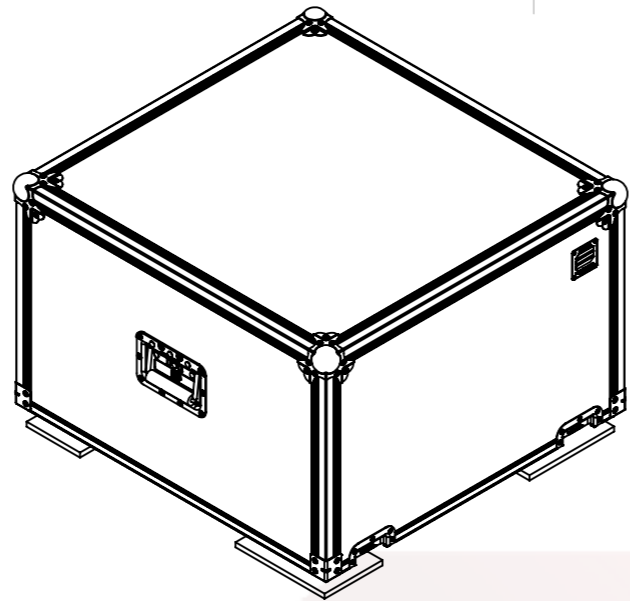
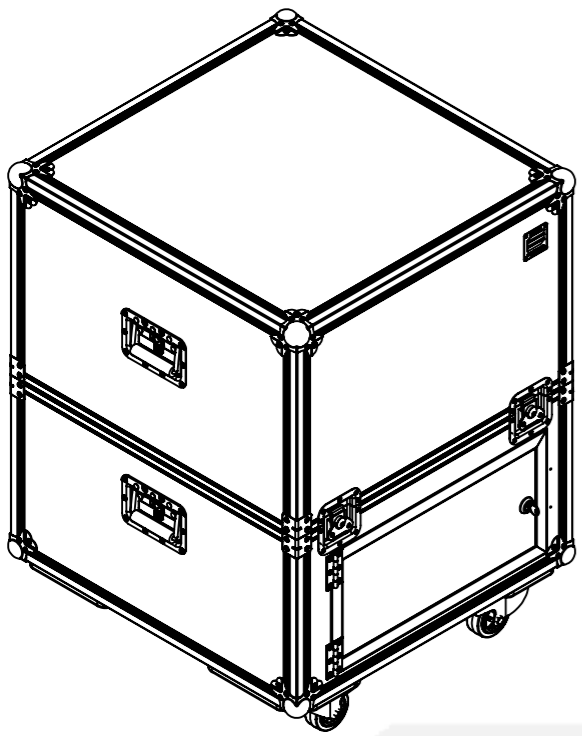


Interior dimensions

Width	Depth	Height
650	675	708+80
Weight	Approx. 31 Kg	
Wall Thickness	7mm	

Revision Table				
Index	Rev.	Description	Date	Draw
	0.2	Final Drawing	11-03-2016	Telmo Santos



Hardware	
Qty	Description
8	Large corner bracket f. 35mm case angle
4	Key lockable medium Butterfly special
8	Ball Corner large three-leg cranked 35 mm 9 holes
4	Recessed sprung handle medium model
2	Medium duty butt hinge z./p.
2	Swivel castor Ø80 mm without brake
1	Identification Plate
1	
1	

This drawing must not be copied or disclosed without consent of the owner

Drawn by	Name	Date
telmosantos	telmosantos	11-03-2016
Reference	2125.001	
Scale	units in mm	general tolerance
1:13	DO NOT SCALE	0.8mm
1st Angle projection	FC, P/ MAQ, DEPILADORA COCOON ELYSION, RODAS	

