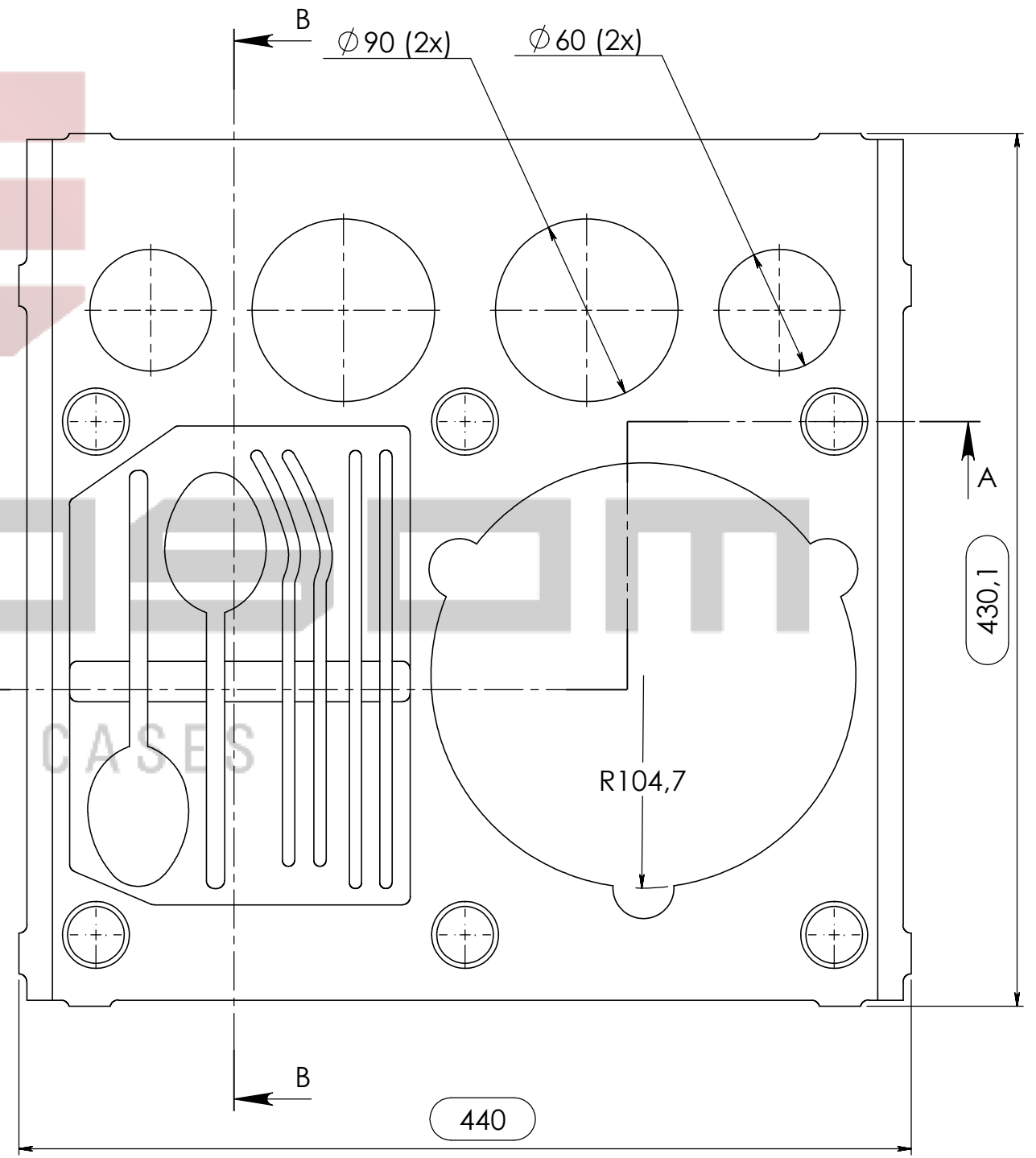
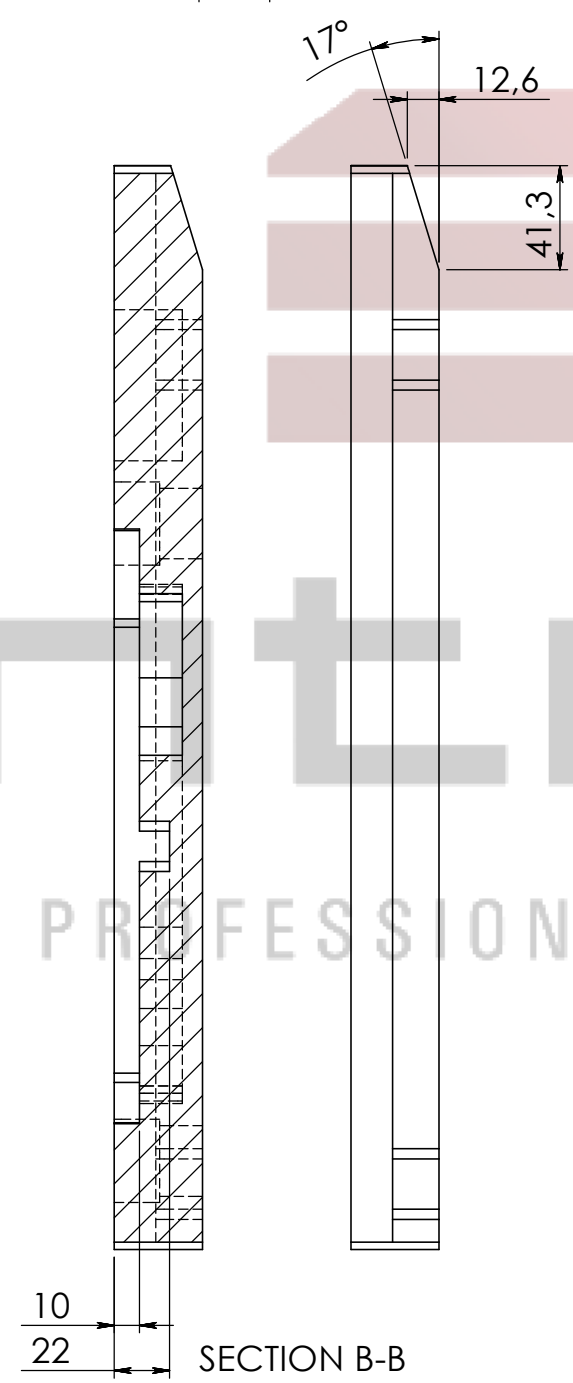
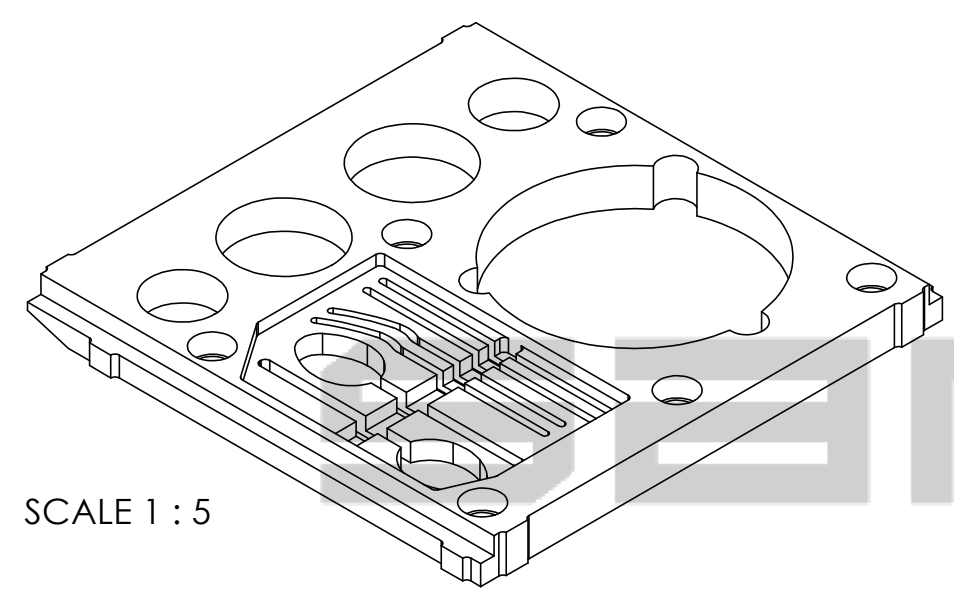
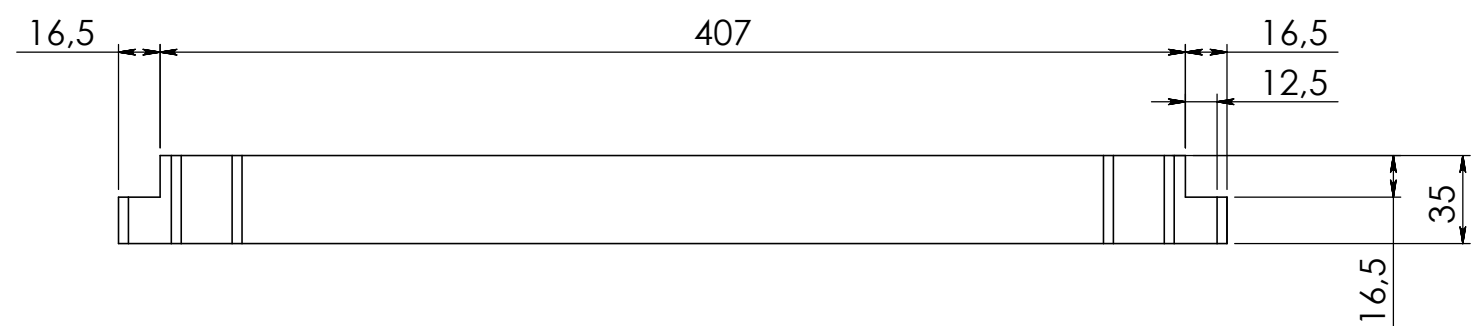
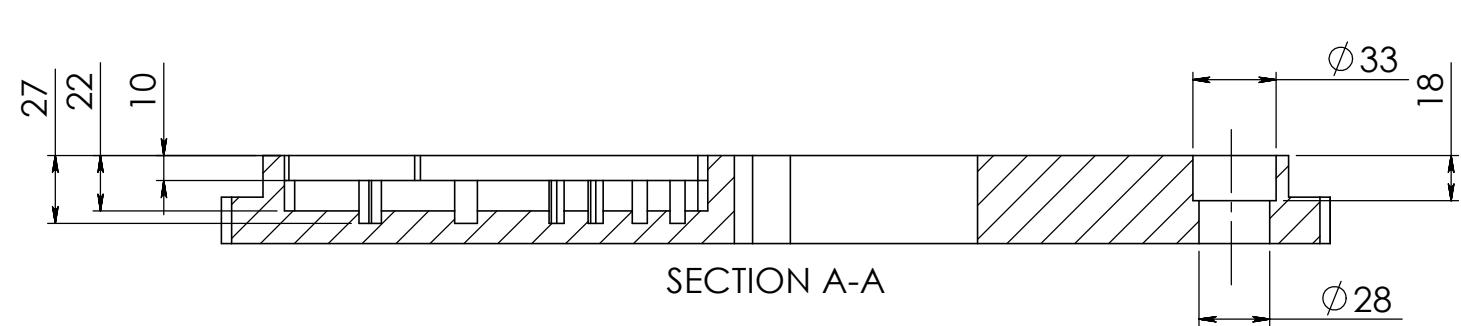


TABELA DE REVISÕES				
ZONA	REV.	DESCRIÇÃO	DATA	DESENHO
-	0	Final Drawing	02/12/2013	Pedro Neves



Drawn by	Name	Date
pedroneves	pedroneves	02-12-2013
Reference	2108.002	
Scale	units in mm	general tolerance
1:3	DO NOT SCALE	0,3mm
1st Angle projection	EHD, MOUSSE TABLE ACI01	



This drawing must not be copied or disclosed without consent of the owner

A3