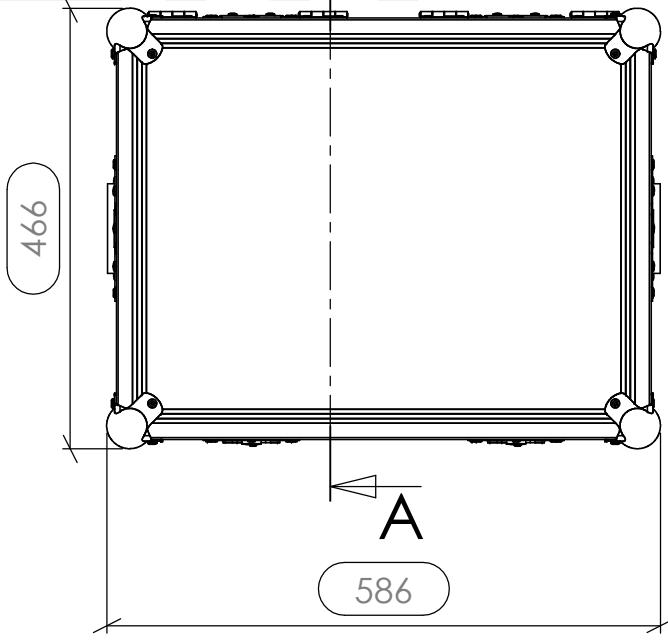
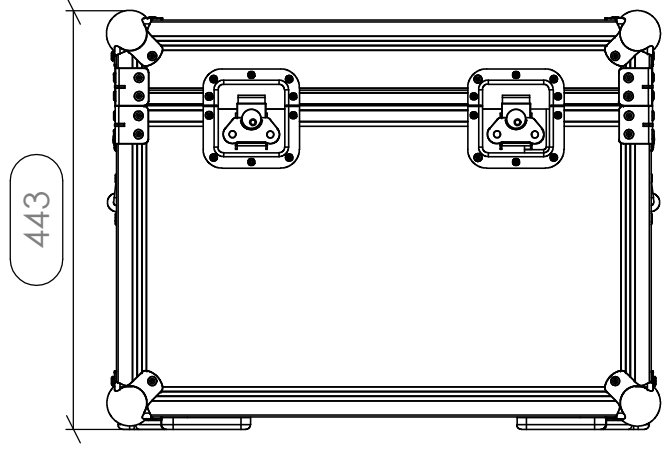
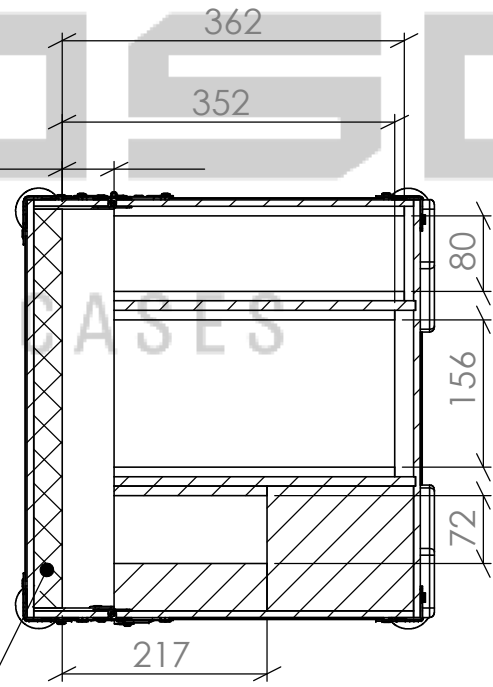
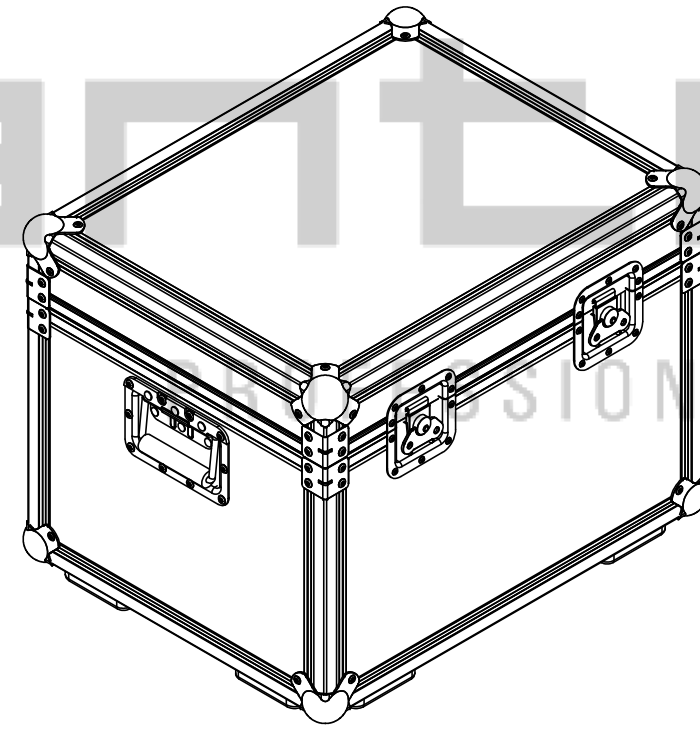
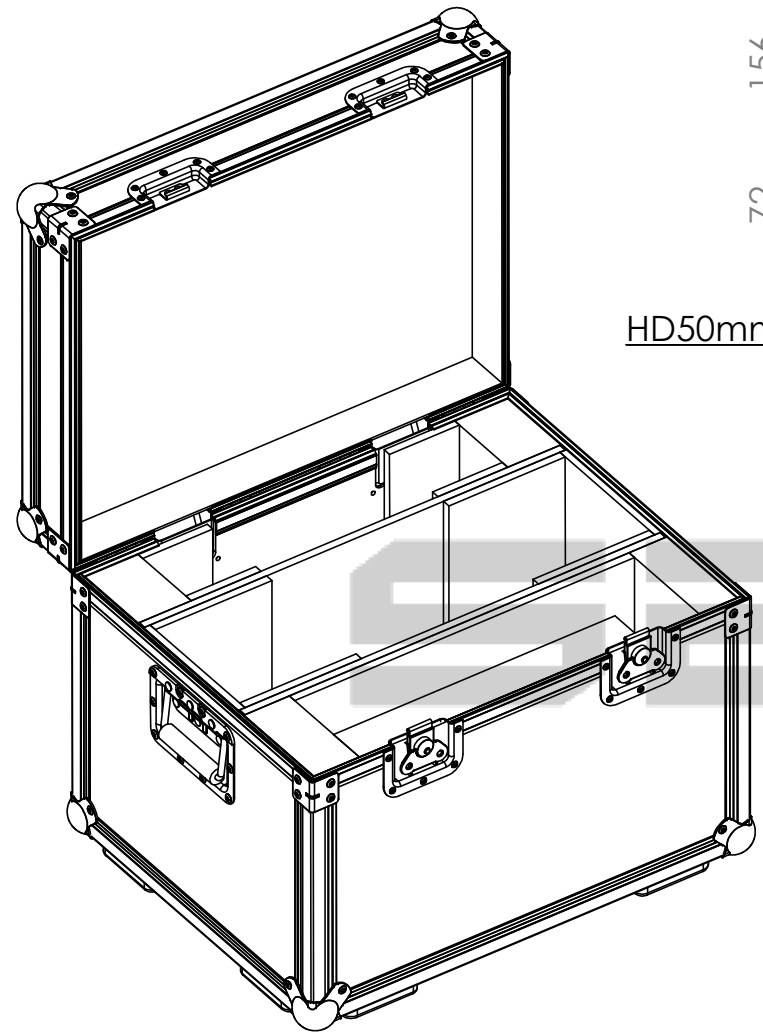
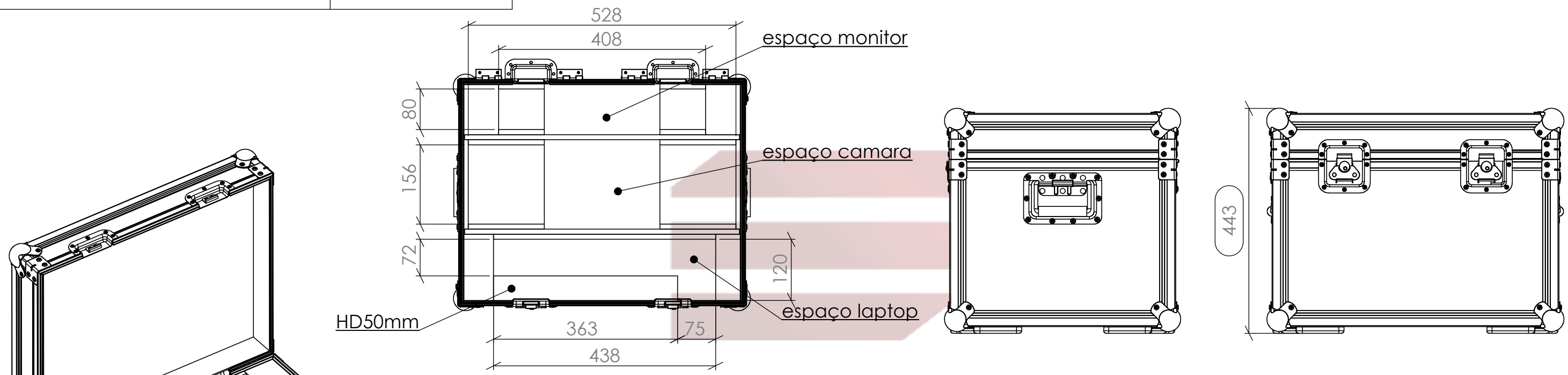


Interior dimensions		
Width	Depth	Height
528/408/438	80/156/72	362/352/217
Weight	Approx. 15 Kg	
Wall Thickness	7mm	

REVISIONS				
ZONE	REV.	DESCRIPTION	DATE	APPROVED
-	-	Final Drawing	26/06/2013	Daniel Lopes



Hardware		
Qty	Ref.	Description
8	40403	Large corner bracket f. 35mm case angle
8	4120	Medium ball corner zinc plated
2	17290S	Key lockable medium Butterfly special
2	2709	Medium recessed lid stay
2	34082	Recessed sprung handle medium model
4	2601	Hinge small 1,3 mm Steel zinc plated

This drawing must not be copied or disclosed without consent of the owner

Drawn by	DanielLopes	Date	27-06-2013
Reference	CABINET.132.P90		
Scale	1:8	units in mm	DO NOT SCALE
1st Angle projection		general tolerance	0.8mm
FC, MONITOR, LAPTOP, CAMARA 525X420X370MM			

