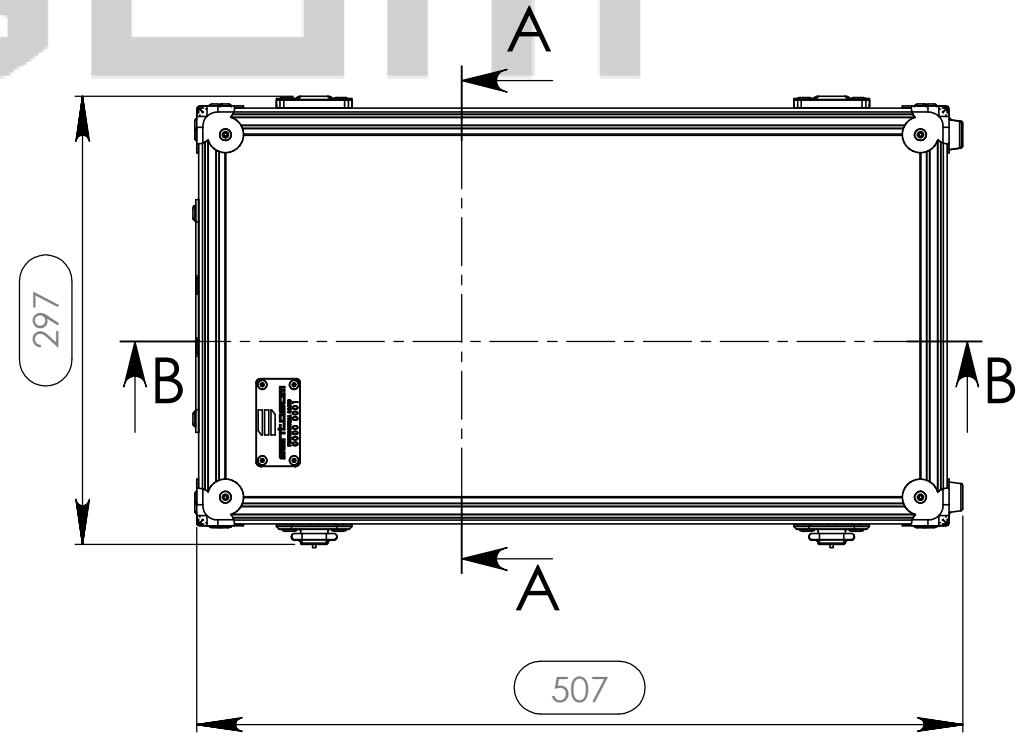
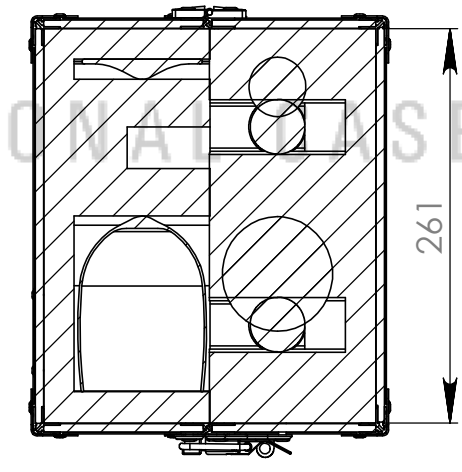
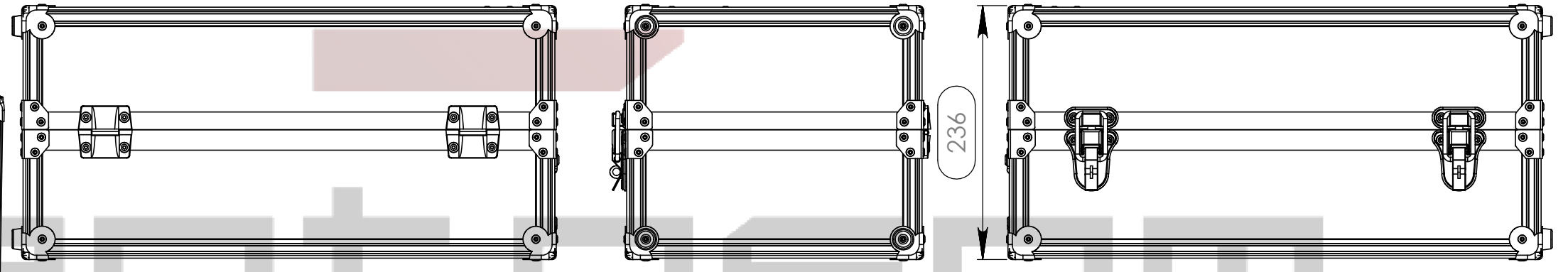
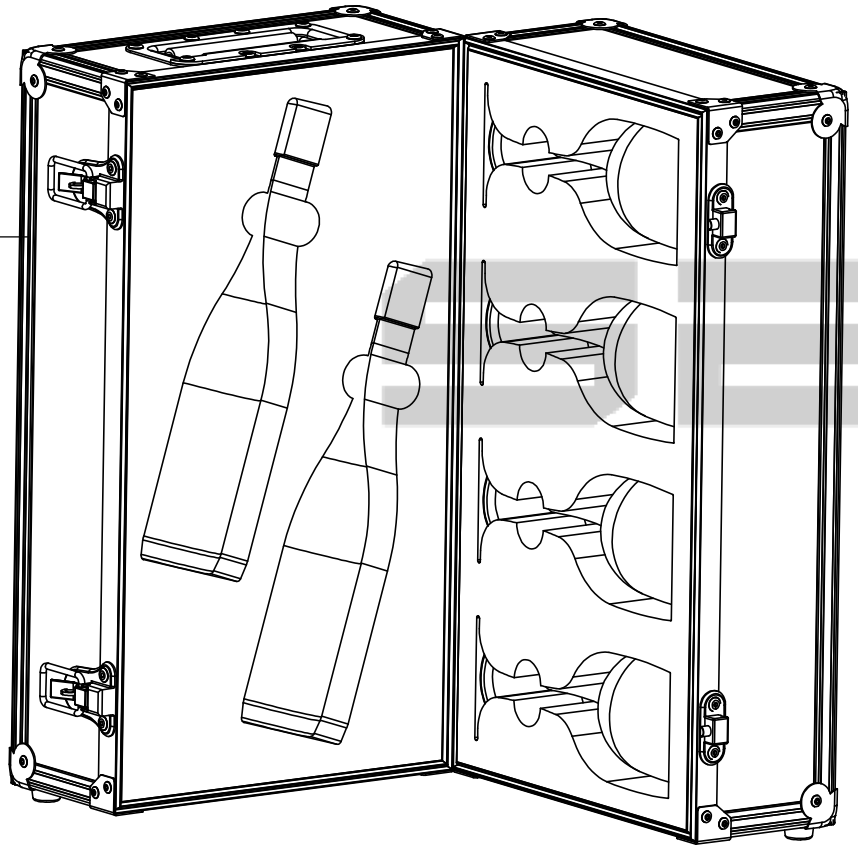
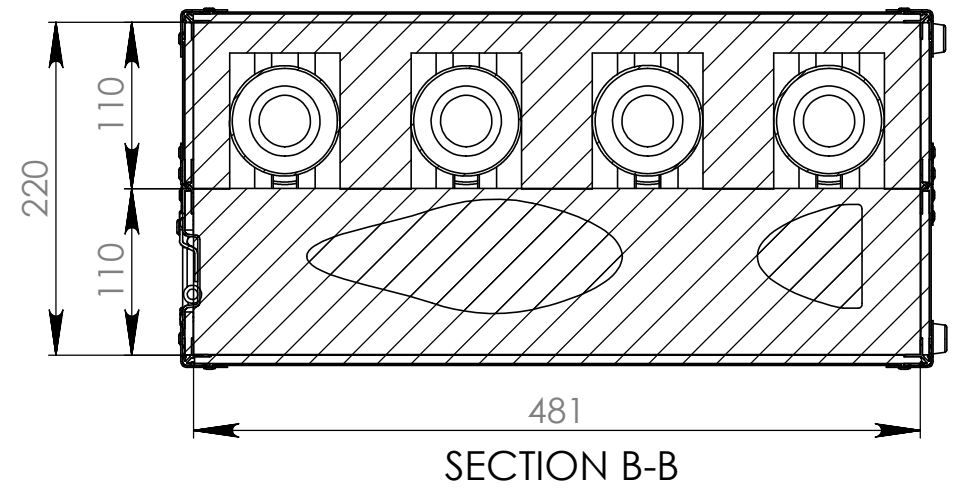
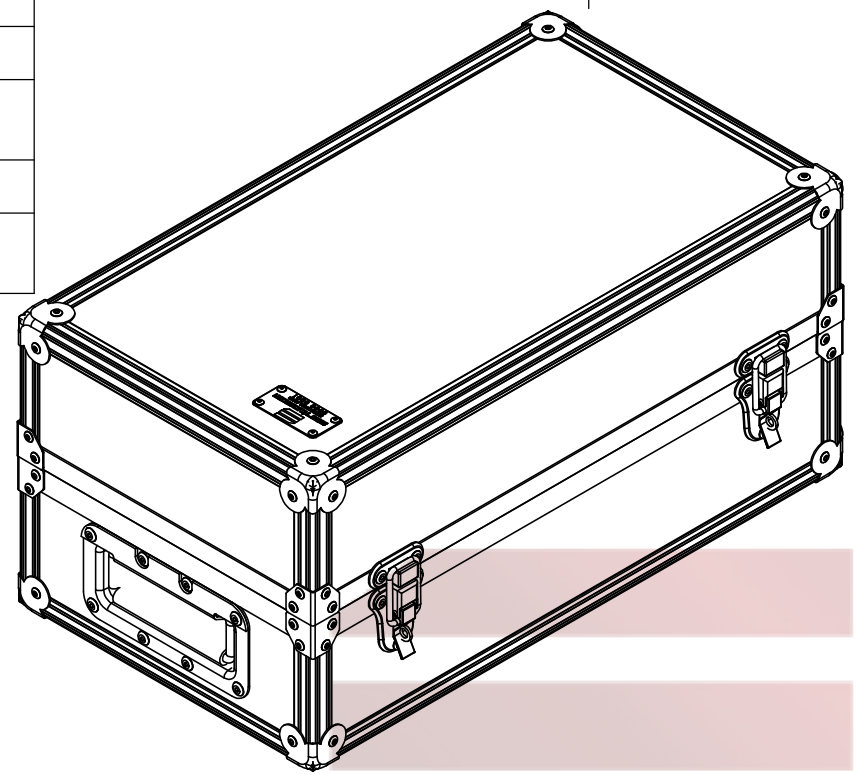


Interior dimensions		
Width	Depth	Height
480	260	220.5
Weight	Approx. 10 Kg	
Wall Thickness	5.5mm	

REVISIONS				
ZONE	REV.	DESCRIPTION	DATE	APPROVED
-	0	Final Drawing	28/05/2013	Daniel Lopes



Qty	Ref.	Description
2	16021	Large padlocking drawbolt
8	4056	Small case corner - 3 leg - 1 mm Steel, chrome plated
8	4046	Small corner brace - suits 6136 casemaker
4	4903	Rubber foot 20 x 9 mm, black
1	340821	Recessed sprung handle - Small
2	2508	MEDIUM STOP-HINGE

SECTION A-A

This drawing must not be copied or disclosed without consent of the owner

Drawn by	Name	Date
DanielLopes	DanielLopes	28-05-2013
Reference	2031.002	
Scale	units in mm	general tolerance
1:5	DO NOT SCALE	0.8mm
BRIEFCASE, 2 GARRAFAS		
E 4 COPOS MOET & CHANDON - DOURADO		

