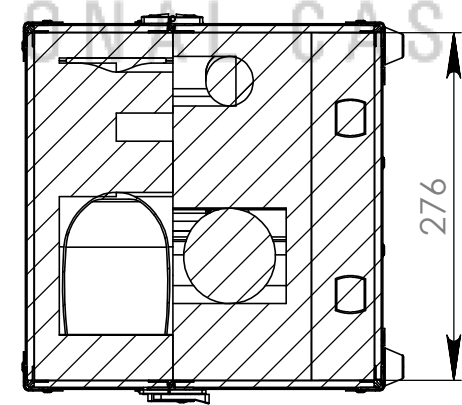
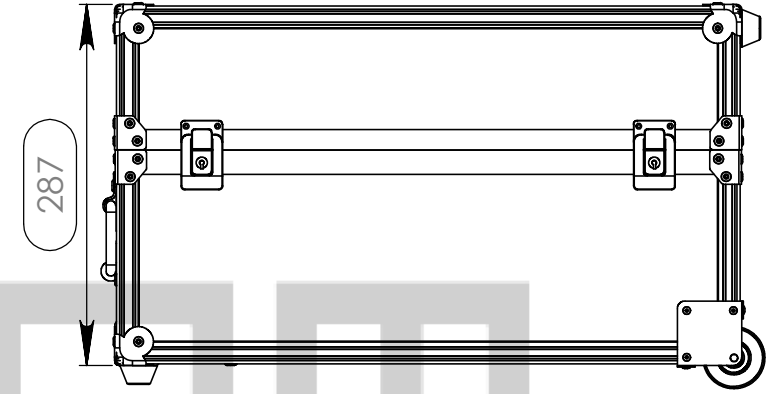
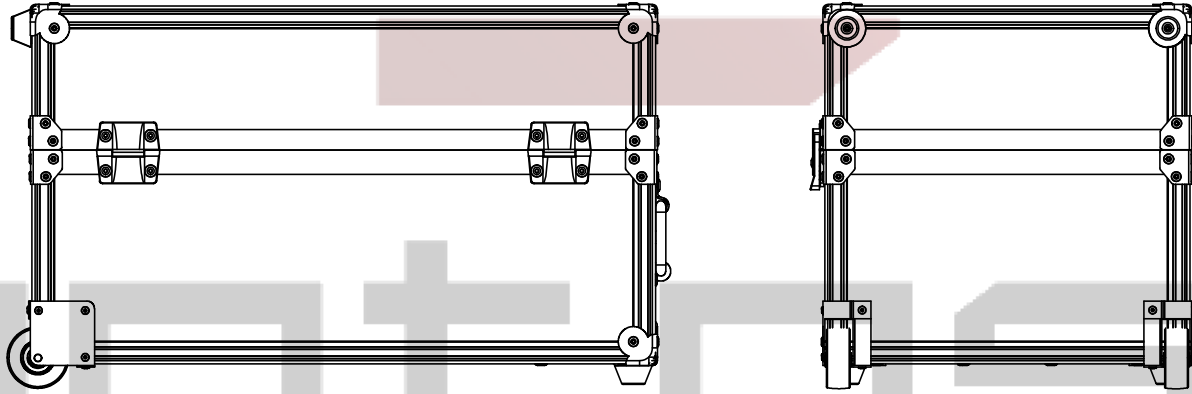
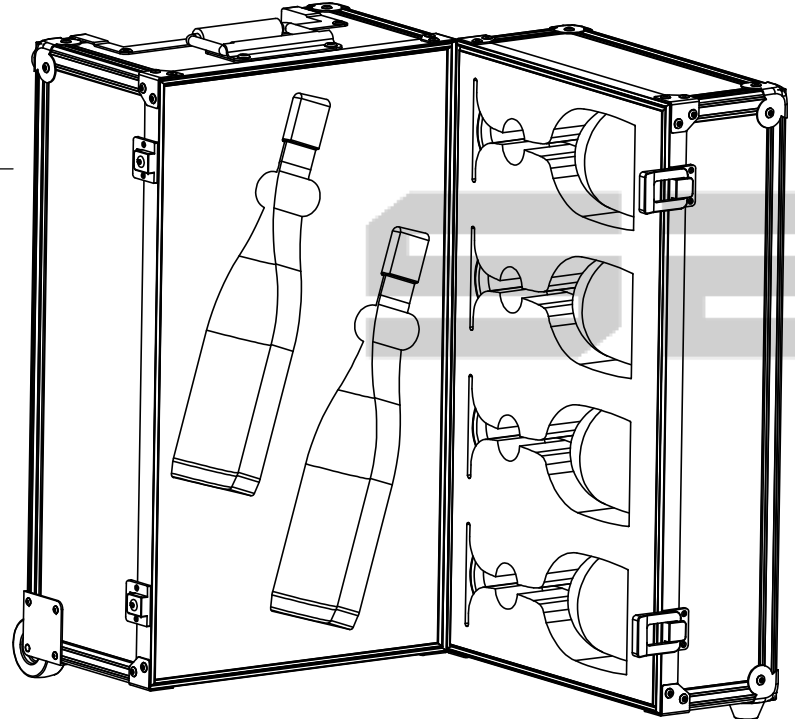
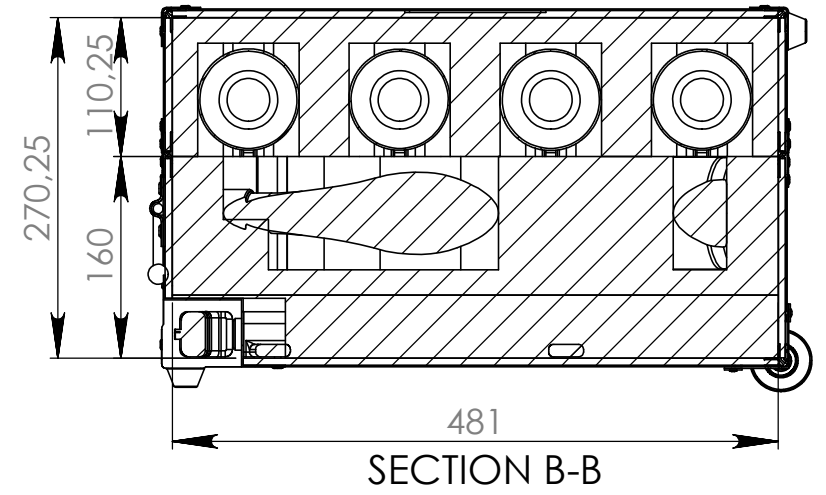
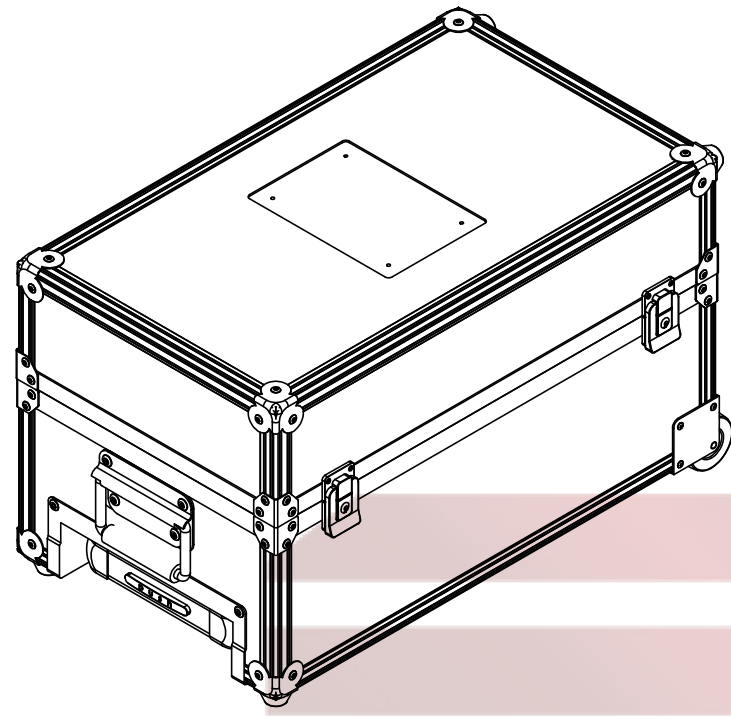
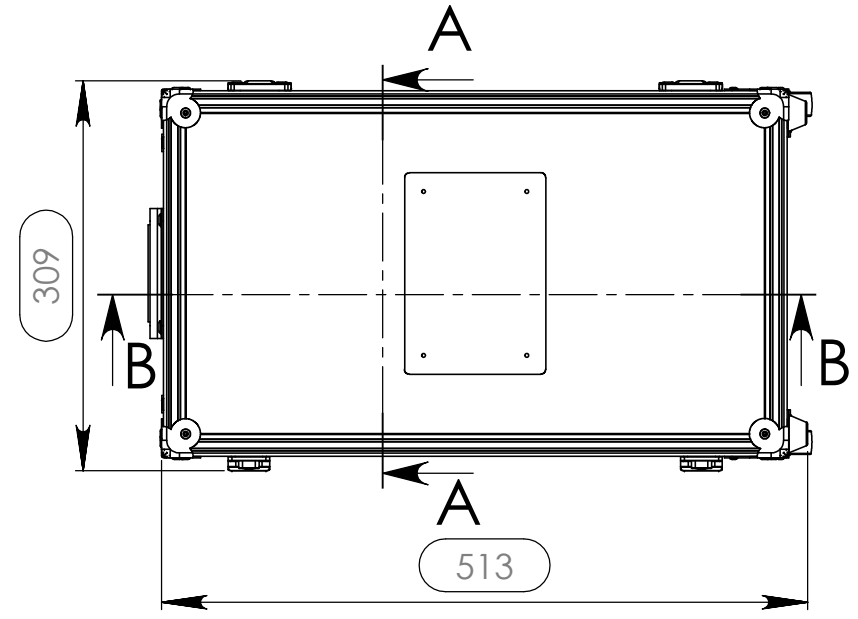


Interior dimensions		
Width	Depth	Height
480	275	270.25
Weight	Approx. 6 Kg	
Wall Thickness	5.5mm	

REVISIONS				
ZONE	REV.	DESCRIPTION	DATE	APPROVED
-	0	Final Drawing	28/05/2013	Daniel Lopes



SECTION A-A



Qty	Ref.	Description
6	4056	Small case corner - 3 leg - 1 mm Steel, chrome plated
8	4046	Small corner brace - suits 6136 casemaker
2	2508	MEDIUM STOP-HINGE
4	4901	Rubber foot 30 x 15mm, black
2	1919	SIMPLE BLOCK CATCH.
1	3476041	Handle recessed extensible in three openings

This drawing must not be copied or disclosed without consent of the owner

Drawn by	Name	Date
DanielLopes	DanielLopes	05-07-2013
Reference	2031.001T	
Scale	units in mm	general tolerance
1:6	DO NOT SCALE	0.8mm
BRIEFCASE, 2 GARRAFAS 4 COPOS MOET & CHANDON, TROLEI		

