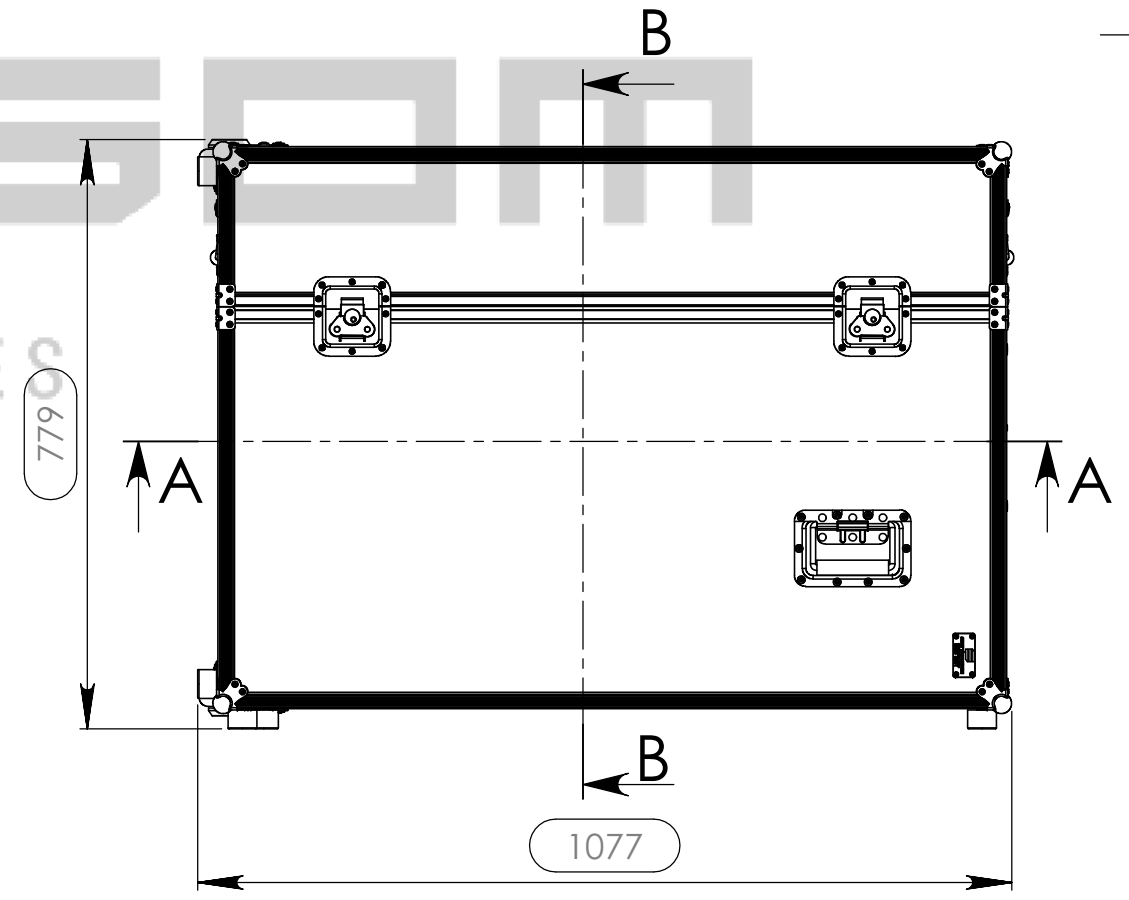
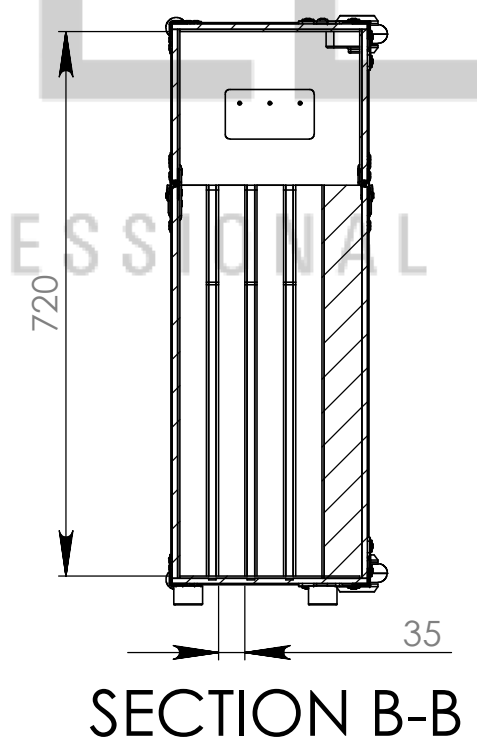
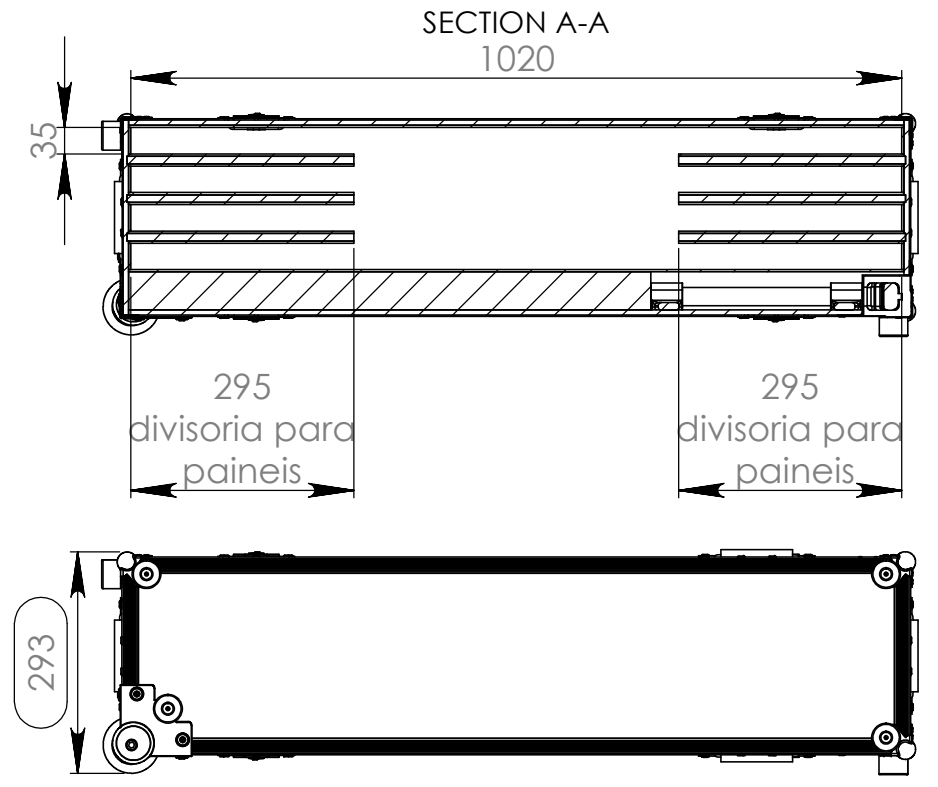
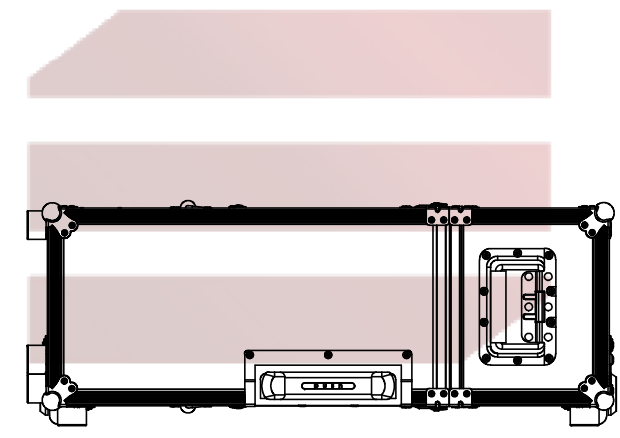
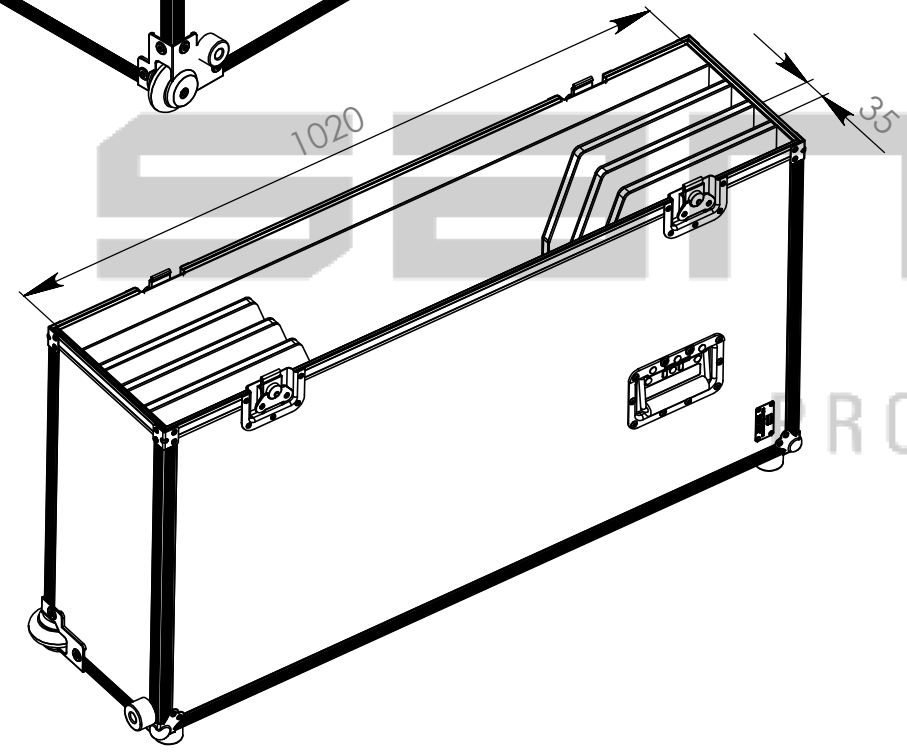
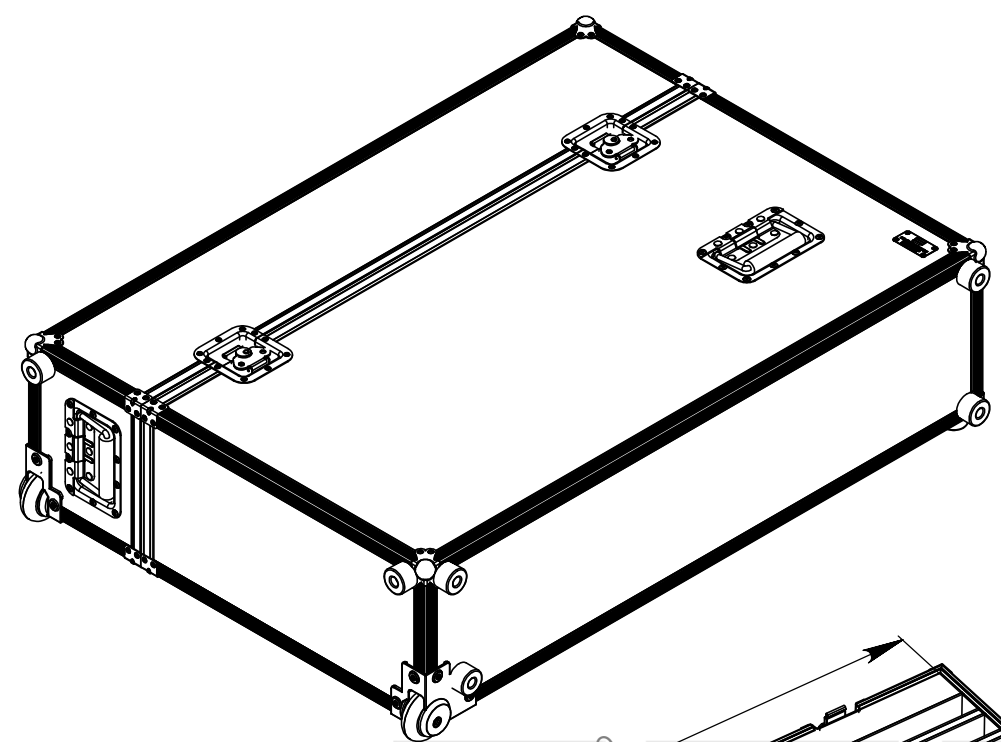


Interior dimensions		
Width	Depth	Height
35	1020	720
Weight	Approx. 24 Kg	
Wall Thickness	7mm	

REVISIONS				
ZONE	REV.	DESCRIPTION	DATE	APPROVED
-	0	Final Drawing	17/04/2013	Daniel Lopes



Hardware	
Qty	Description
8	Medium corner-brace zinc plated 1,0mm
8	Rubber foot 38 x 25 mm with steel insert
6	Small ball corner - 3 leg - zinc plated
4	Recessed sprung handle medium model
2	Recessed Corner Castor 75mm, Die-Cast Housing
4	Key lockable medium Butterfly special

Drawn by	DanielLopes	Date	17-04-2013
Reference	2003.001		
Scale	1:10	units in mm	general tolerance 0.8mm
1st Angle projection	MC2, W1015MMD135MMXH715MM RODAS DE CANTO		

This drawing must not be copied or disclosed without consent of the owner

santosom
PROFESSIONAL CASES