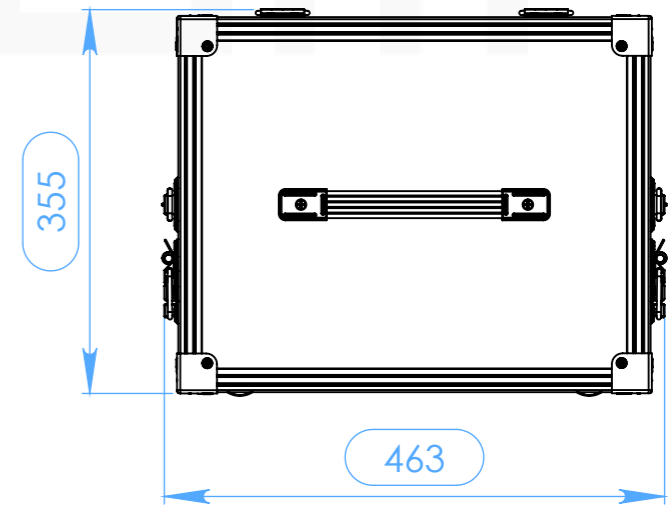
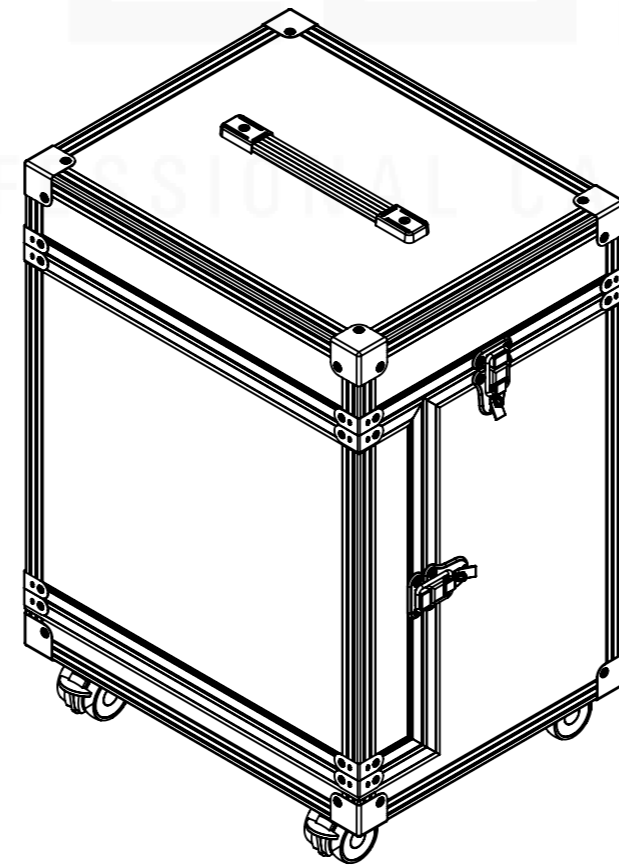
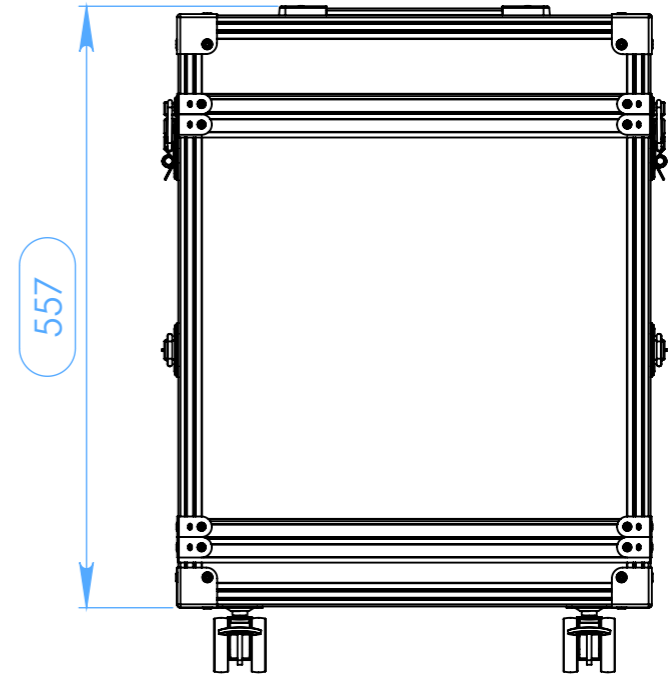
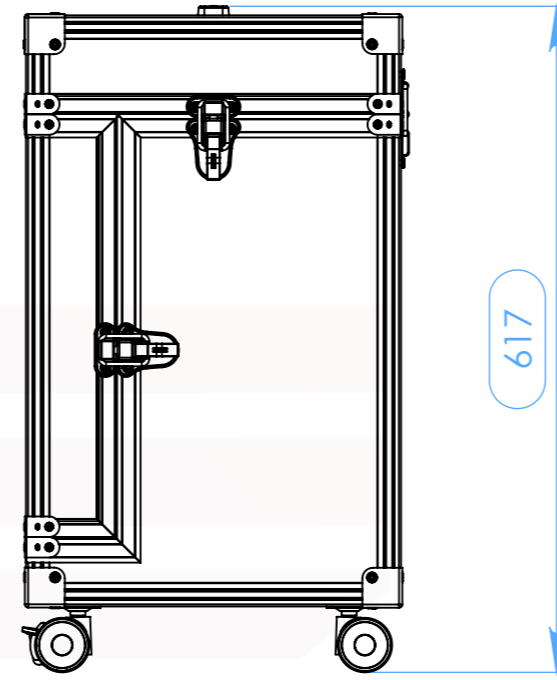
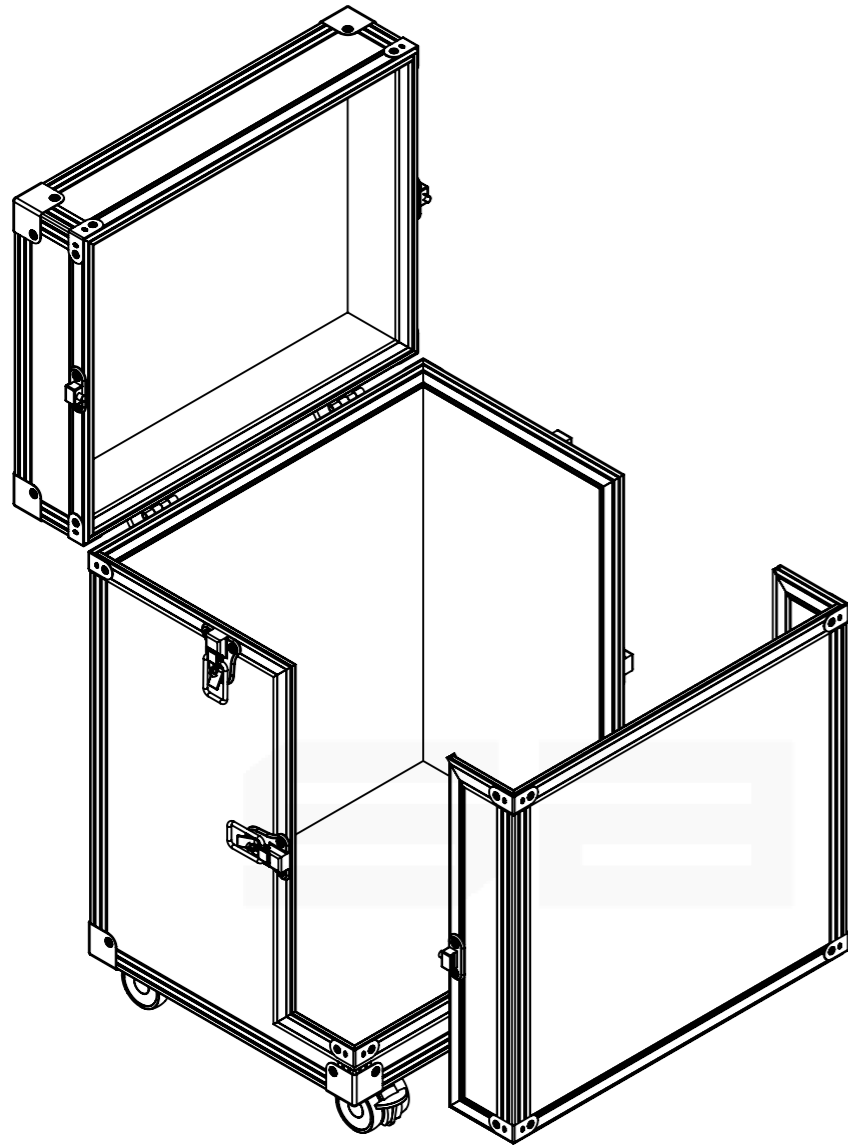


Internal Dimensions		
Width	Depth	Height
417	327	530
Weight	Approx. 8 Kg	
Wall Thickness		7mm



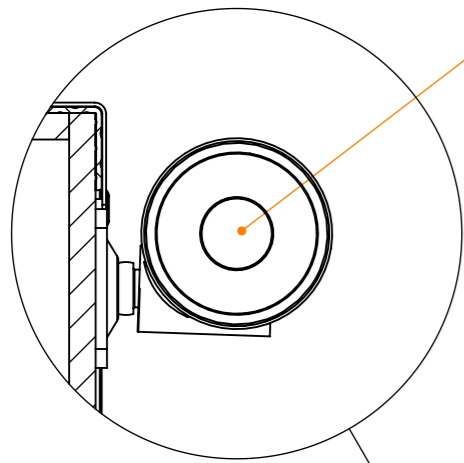
Hardware		
Qty	Ref.	Description
12	4040	Small corner bracket chrome plated 1,2mm
4	16021	Large padlocking drawbolt
2	2524	HEAVY DUTY STRUT HINGE WITH BLACK PLATE
8	4000	Square Case Corner
2	RODA.050UAP.R92	Swivel castor Ø50mm
2	RODA.050TUAP.R92	Swivel castor Ø50mm with brake
1	3424	BRIEFCASE HANDLE

A3 This drawing must not be copied or disclosed without consent of the owner

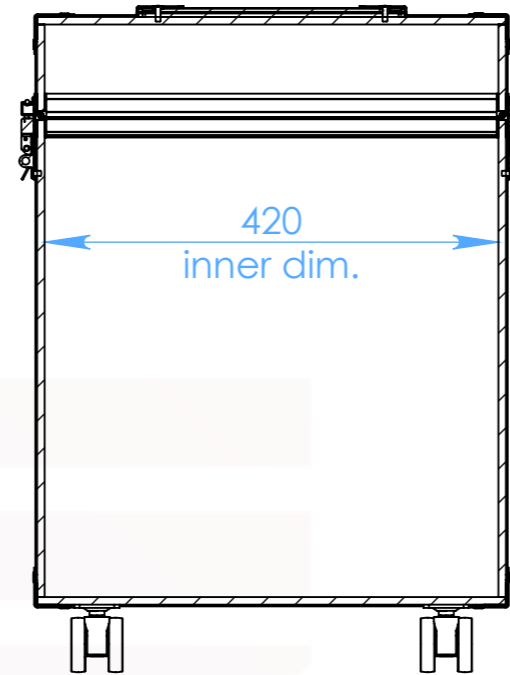
Drawn by	Name	Date
carlasilva	carlasilva	16/10/2017
Reference	1932.005R	
Scale	units in mm	general tolerance
1:7	DO NOT SCALE	0.8mm
VALISE MOET 420X330X530MM HARDWARE BLANC, ROULETTES		



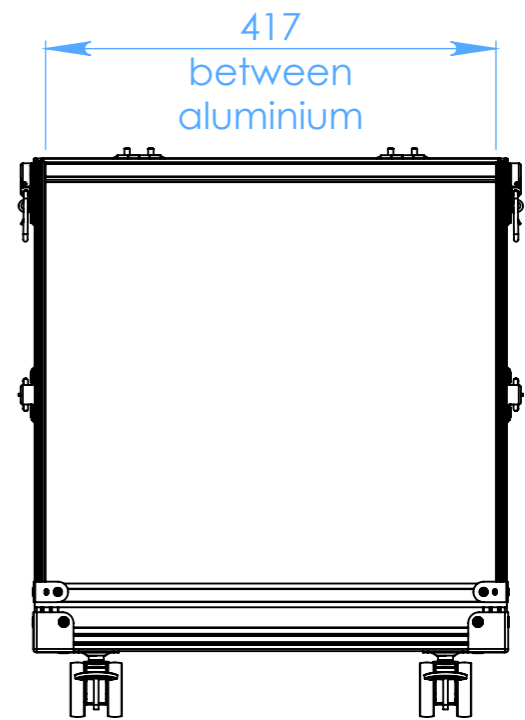
Option: Logo "Moët & Chandon" can be engraved on the wheels



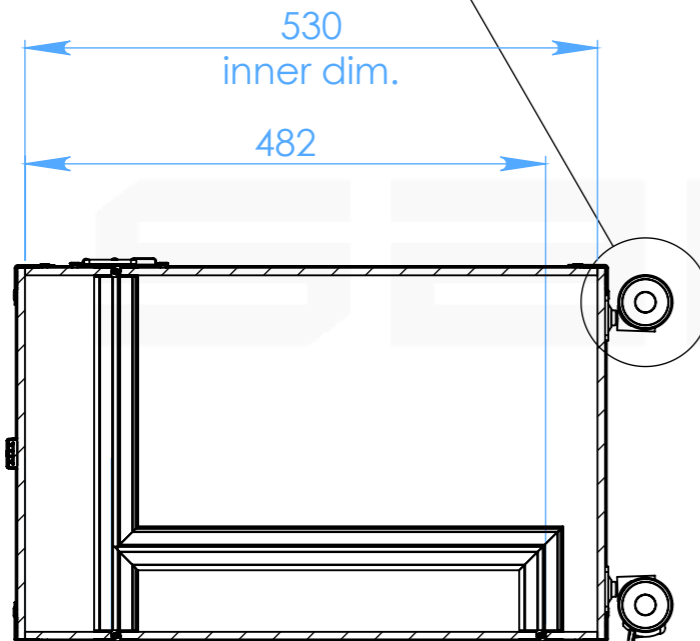
DETAIL F  
SCALE 1 : 2



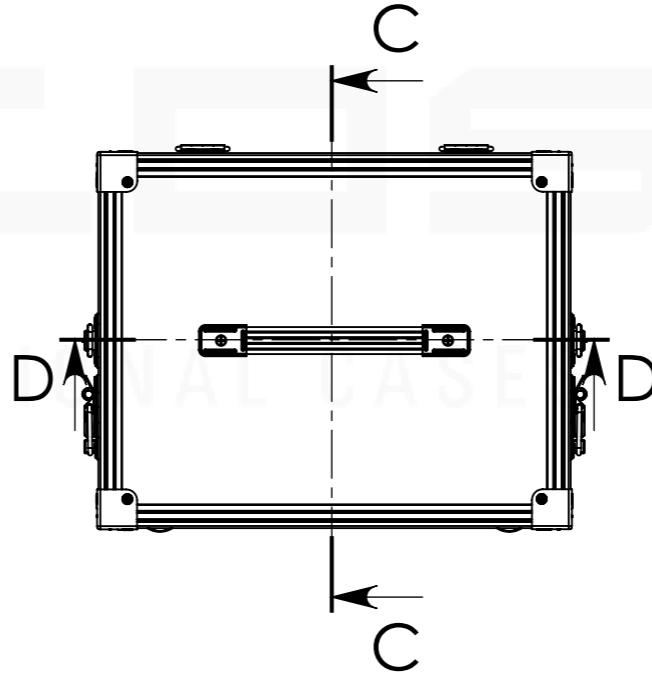
SECTION D-D



417  
between  
aluminium



SECTION C-C



530  
inner dim.

482

80

48

This drawing must not be copied or disclosed without consent of the owner

Drawn by	Name	Date
carlasilva	carlasilva	16/10/2017
Reference	1932.005R	
Scale	units in mm	general tolerance
1:7	DO NOT SCALE	0.8mm
VALISE MOËT 420X330X530MM HARDWARE BLANC, ROULETTES		



A3