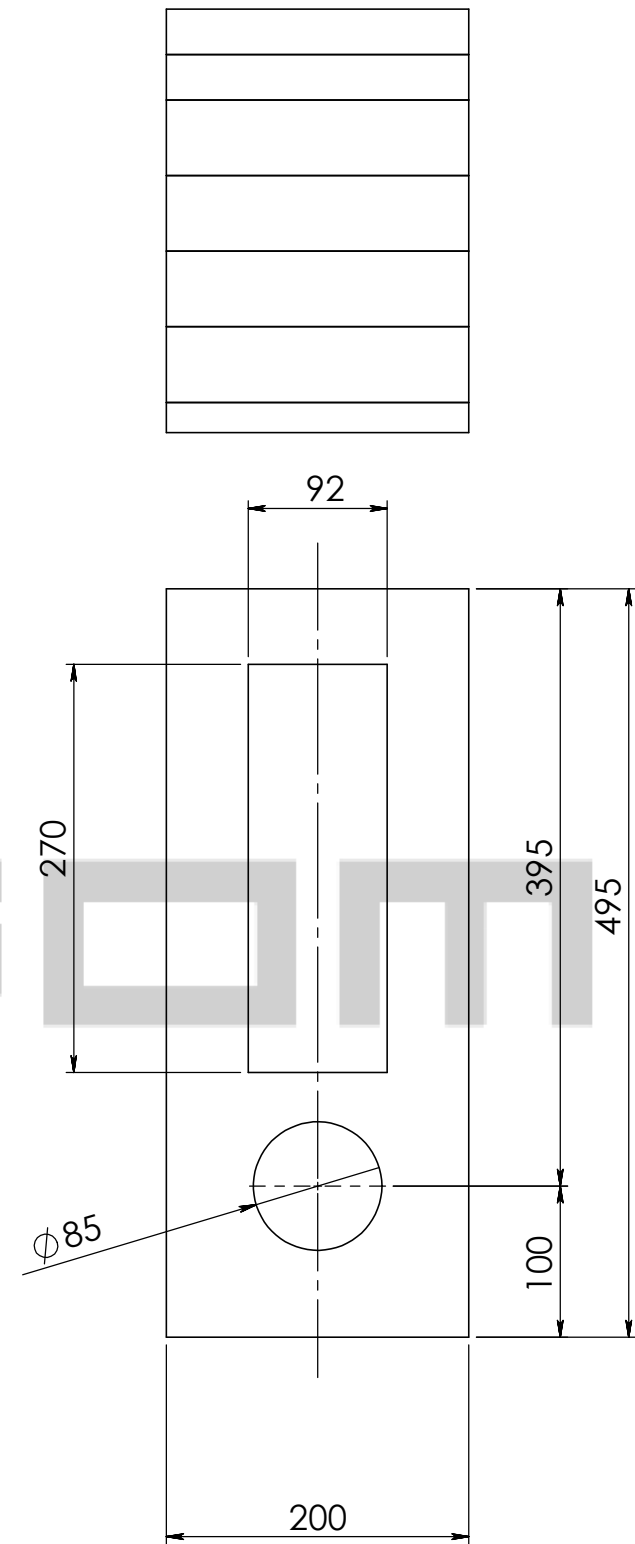
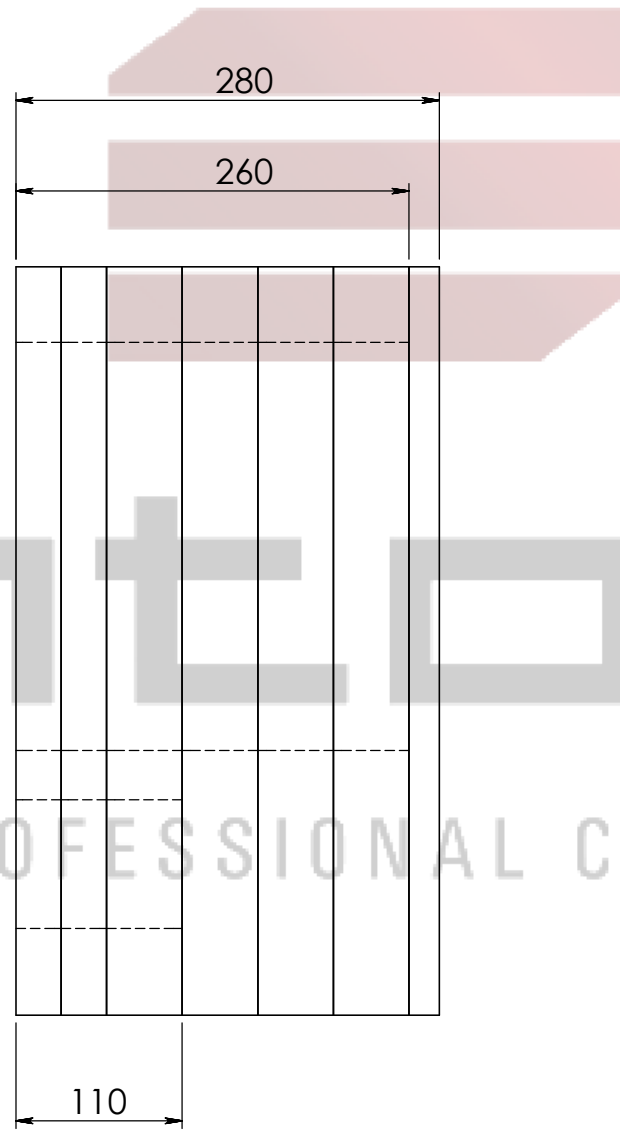
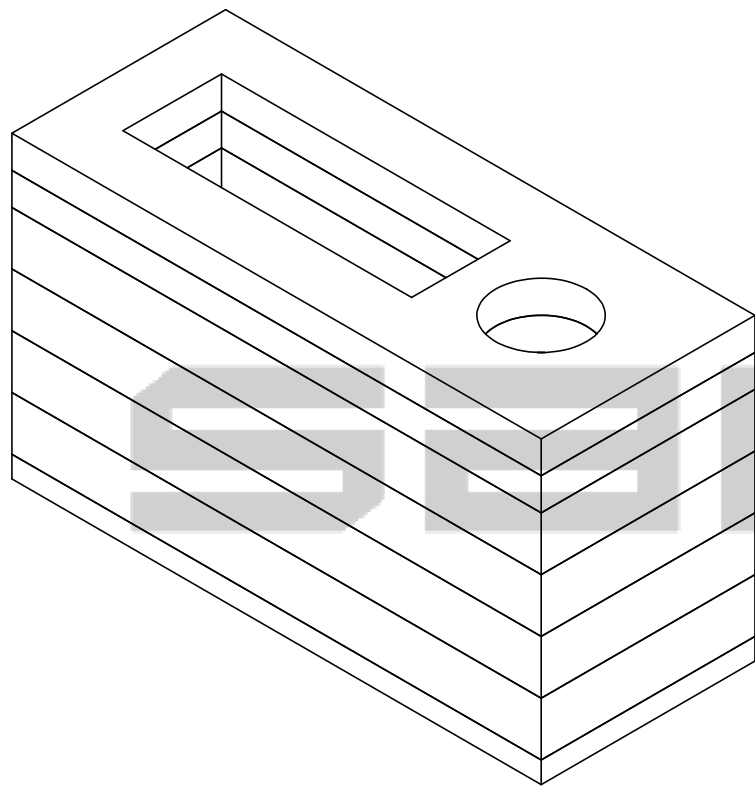


Exterior dimensions

Width	Depth	Height
495	200	280
Weight	Approx. Kg	
Wall Thickness	mm	

TABELA DE REVISÕES

ZONA	REV.	DESCRIÇÃO	DATA	DESENHO
	0	Final drawing	06/12/2013	Pedro Neves



Drawn by	Name	Date
pedroneves	pedroneves	06-12-2013
Reference	1922.018	
Scale	units in mm	general tolerance
1:5	DO NOT SCALE	±0.3mm
ESPUMA FRESADA P/ FC INOV3 450X410X260MM.		



This drawing must not be copied or disclosed without consent of the owner



A3