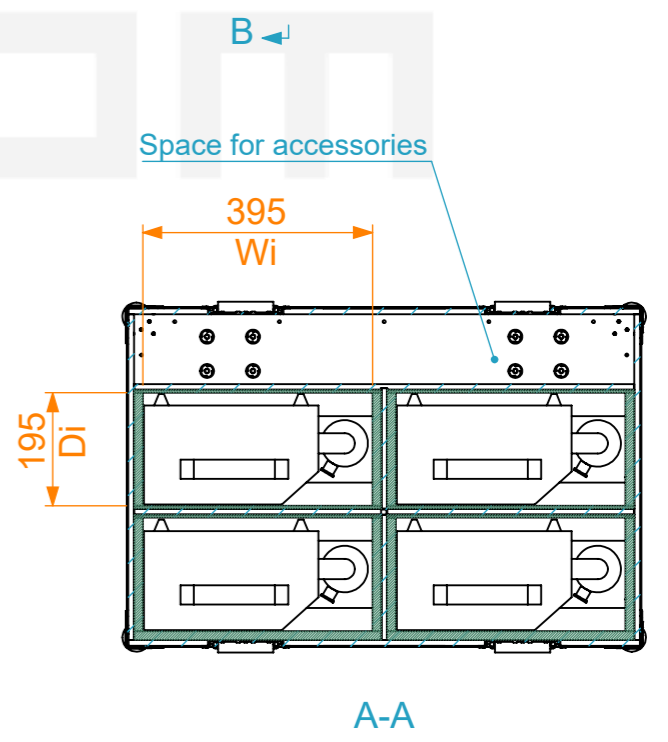
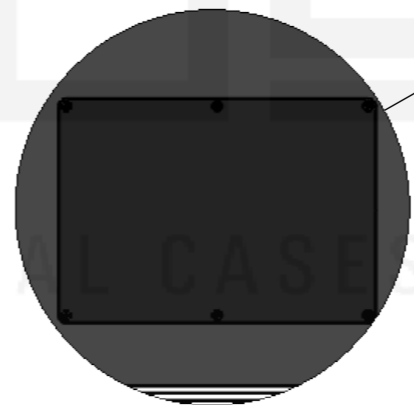
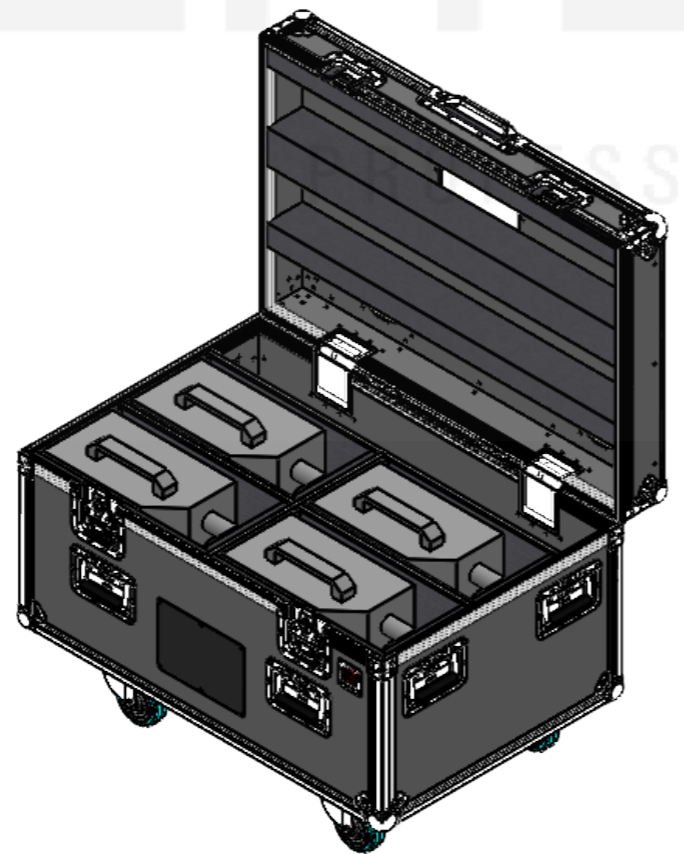
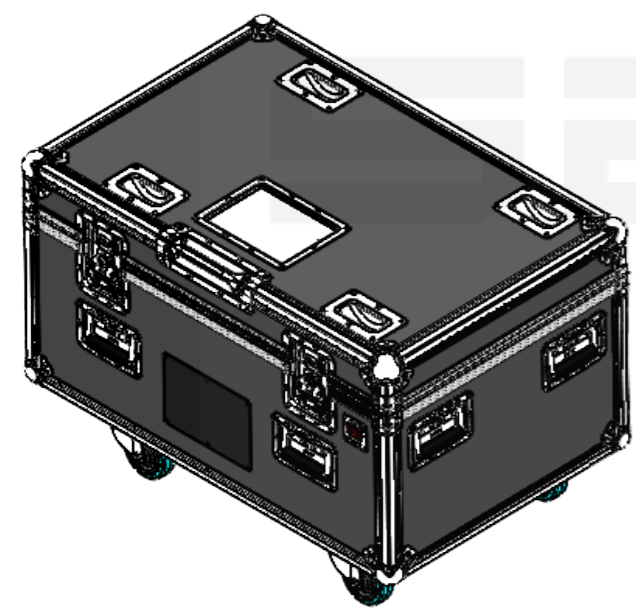
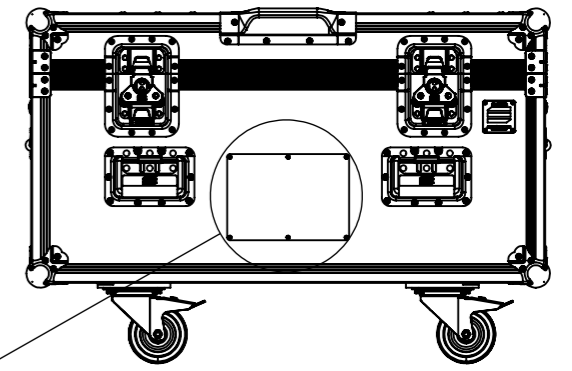
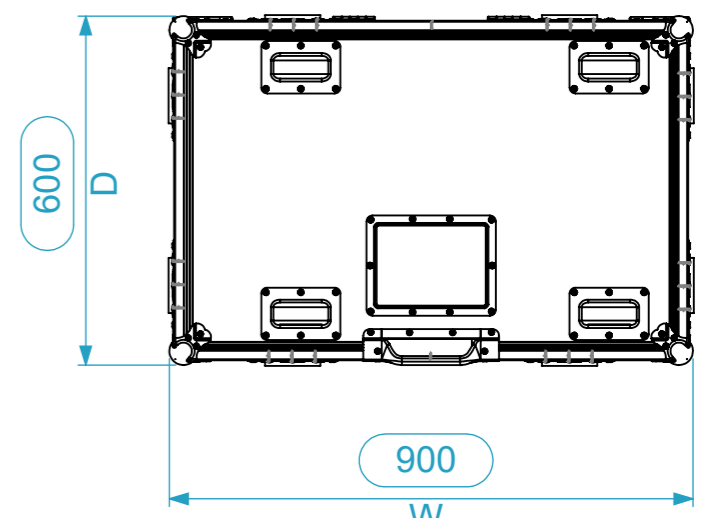
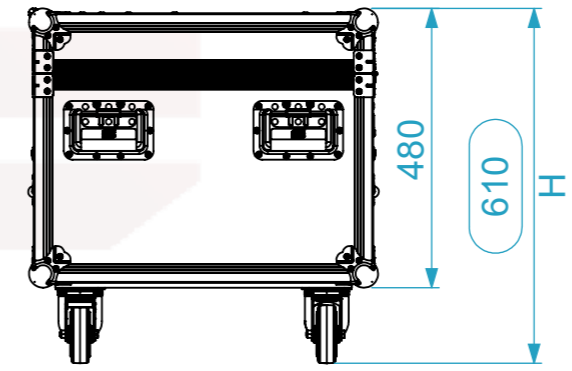
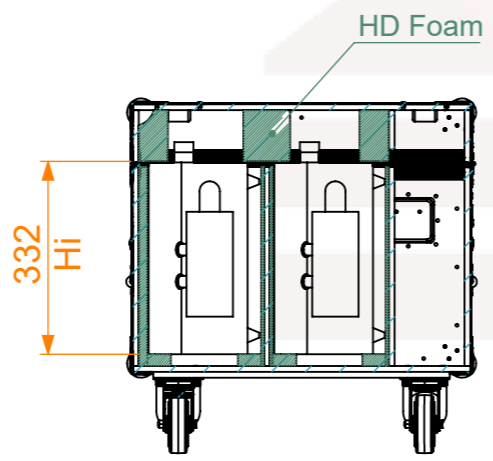
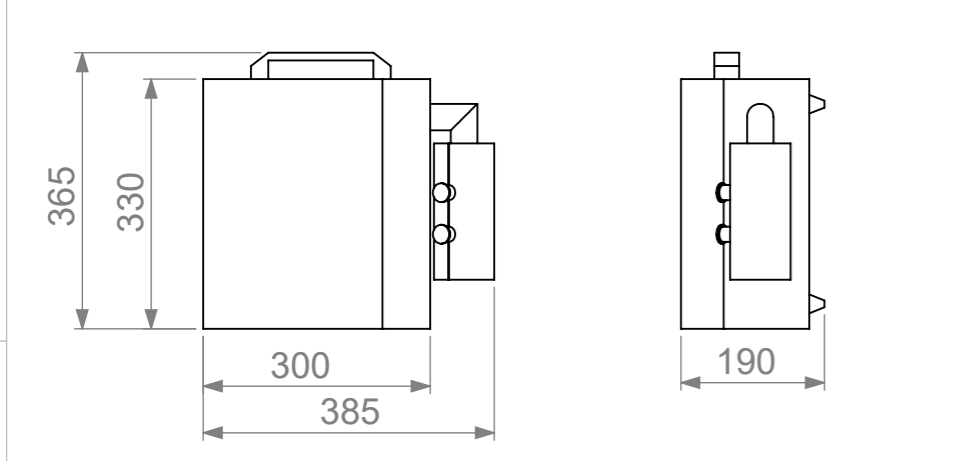


Equipment	OH FX ETUBE SHOOTER AIR PLUS	
Width	Depth	Height
330	300	190
Weight	Approx. 10.80 Kg	
Internal Dimensions		
Width	Depth	Height
395	195	332
Weight	Approx. 37.68 Kg	
Wall Thickness		10mm



General External Dimensions	
W	Width
D	Depth
H	Height
Usable Inner Dimensions (UID)	
Wi	Inside Width
Di	Inside Depth
Hi	Inside Height

This drawing must not be copied or disclosed without consent of the owner

Drawn by	Name	Date
rita.monteiro	rita.monteiro	21/11/2025
Reference	1893.001	
Scale	units in mm	general tolerance
1:13	DO NOT SCALE	0.8mm
1st Angle projection		
Flight case, 4x FX ETUBE SHOOTER		

