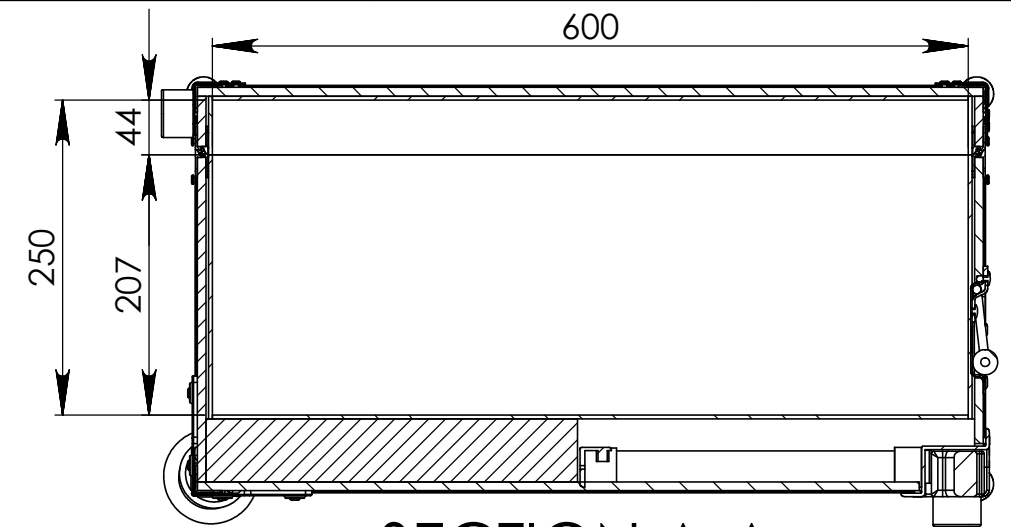
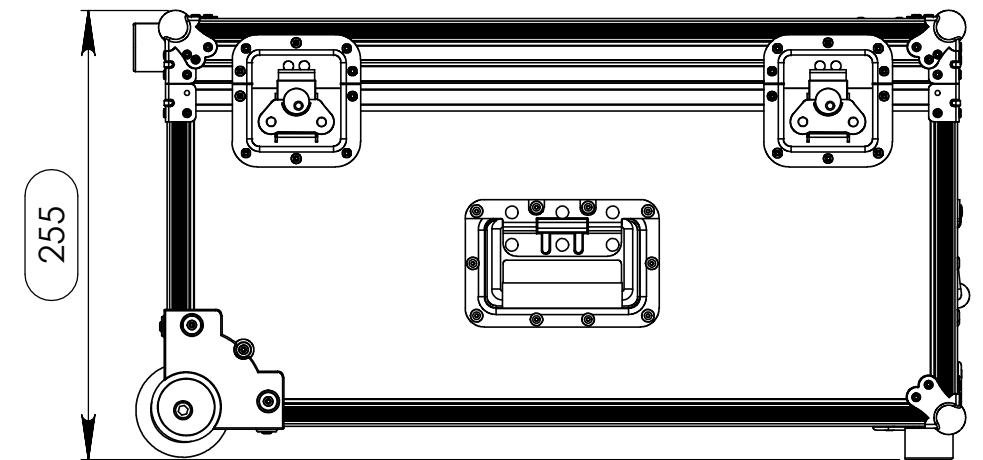
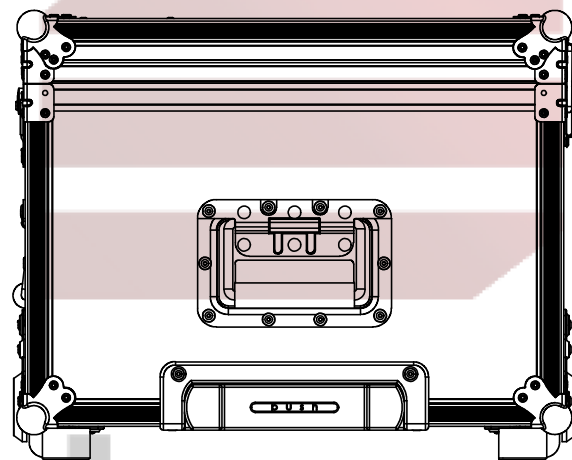
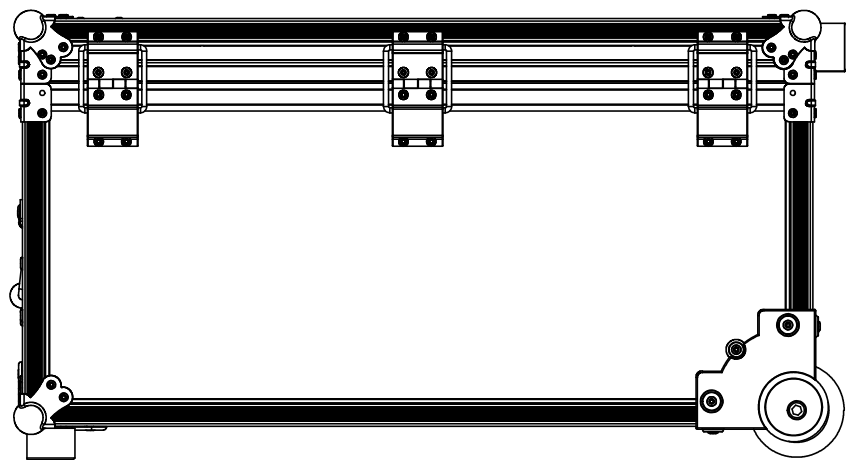


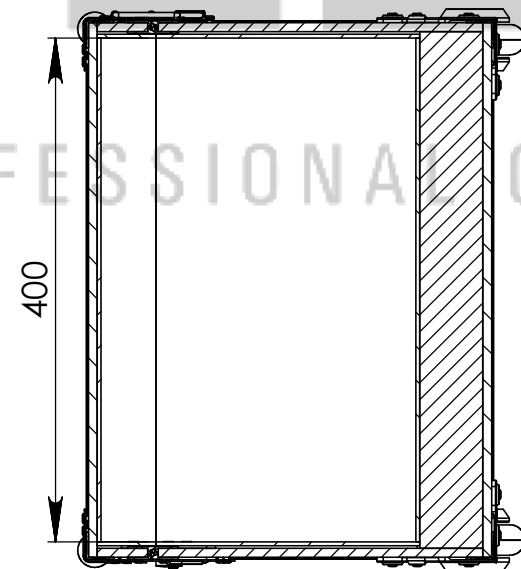
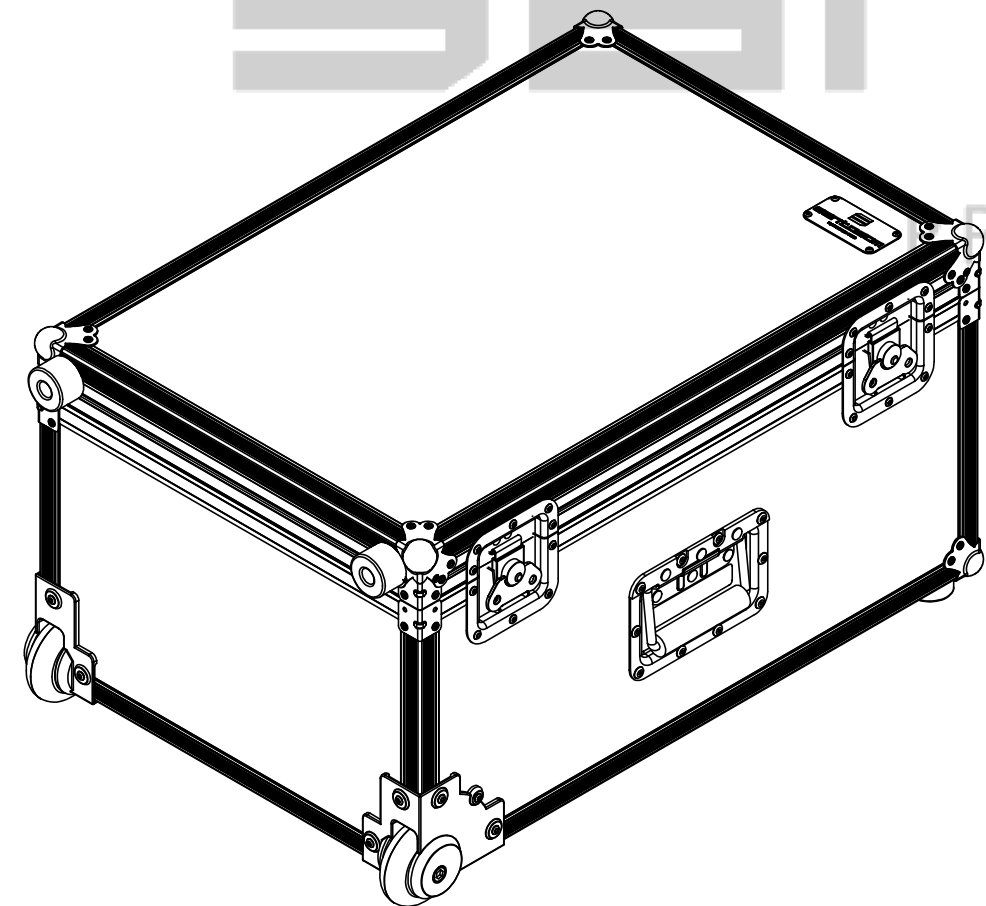
Interior dimensions		
Width	Depth	Height
600	400	250
Weight	Approx. 10 Kg	
Wall Thickness		7mm



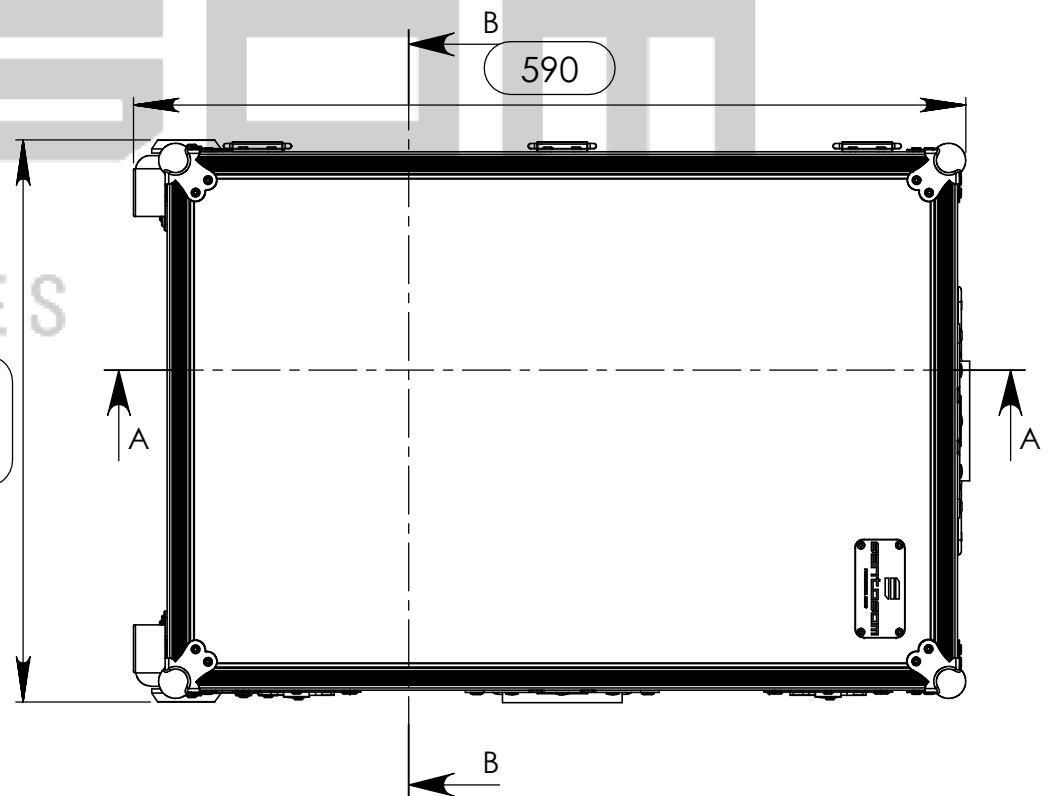
SECTION A-A



SANTOSOM  
PROFESSIONAL CASES



SECTION B-B



Drawn by	Name	Date
DanielLopes	DanielLopes	04-06-2012
Reference	1847.009	
Scale	units in mm	general tolerance
1:6	DO NOT SCALE	±0.8mm
FC, Dinero (caja)		

This drawing must not be copied or disclosed without consent of the owner

