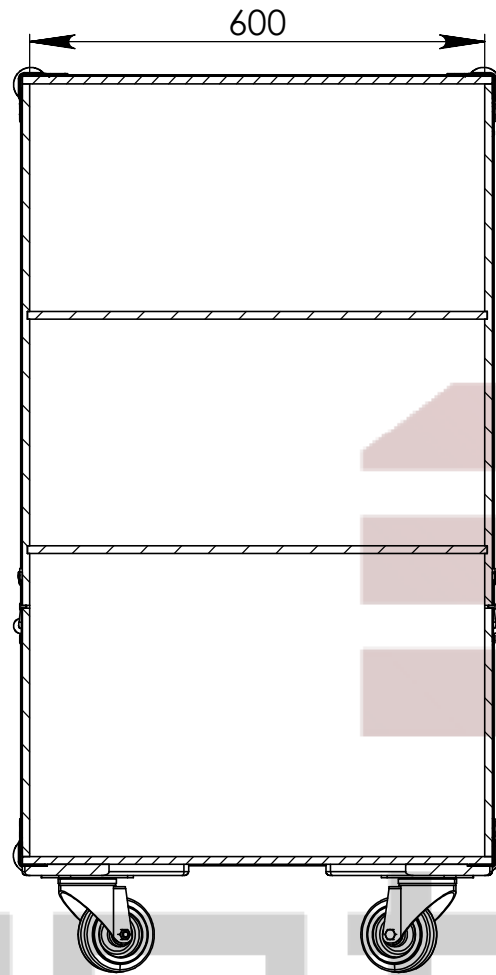
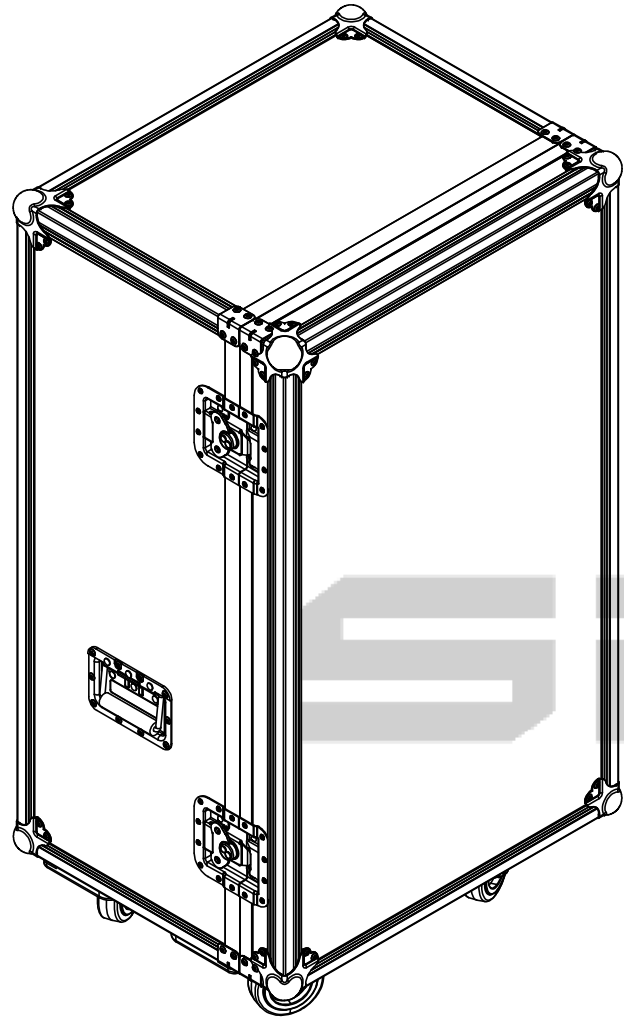
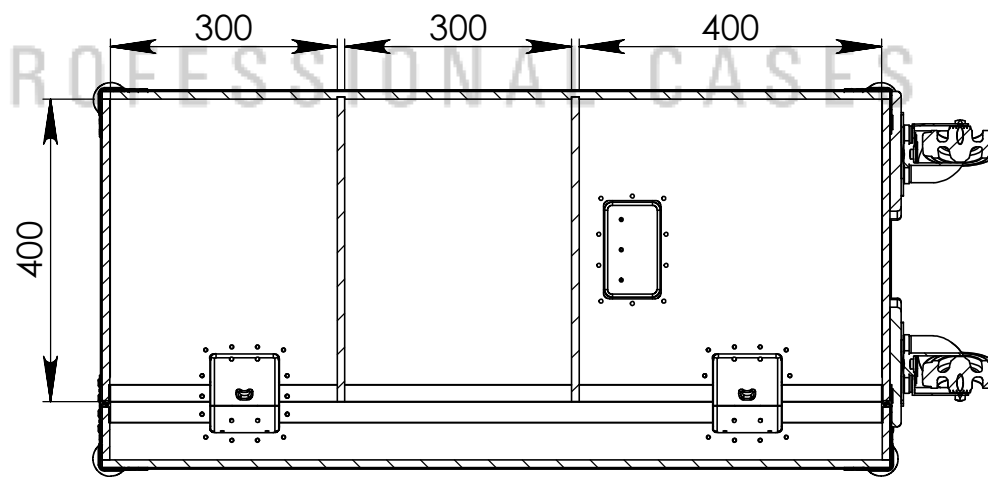
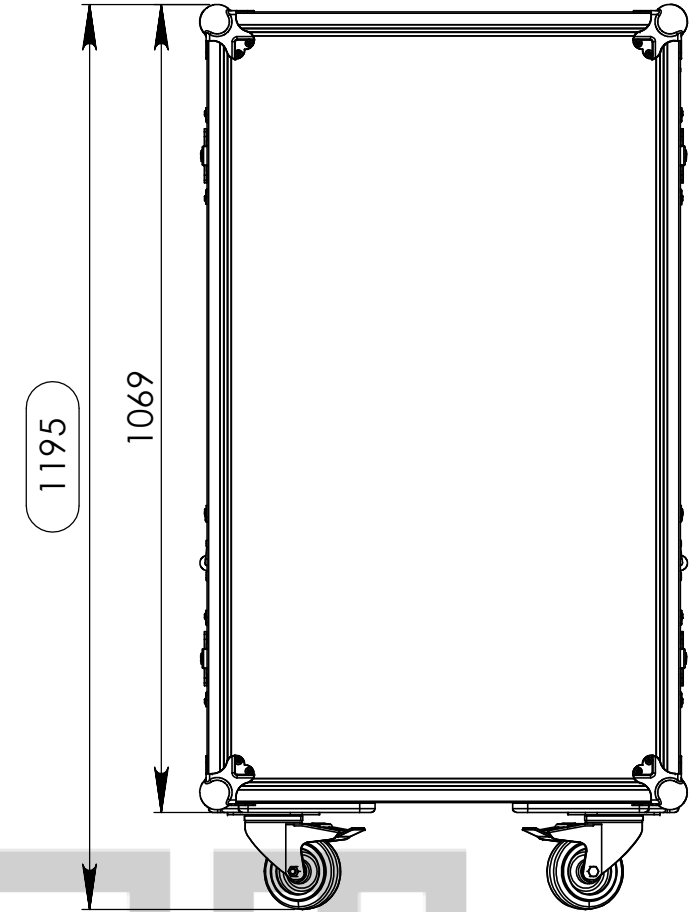
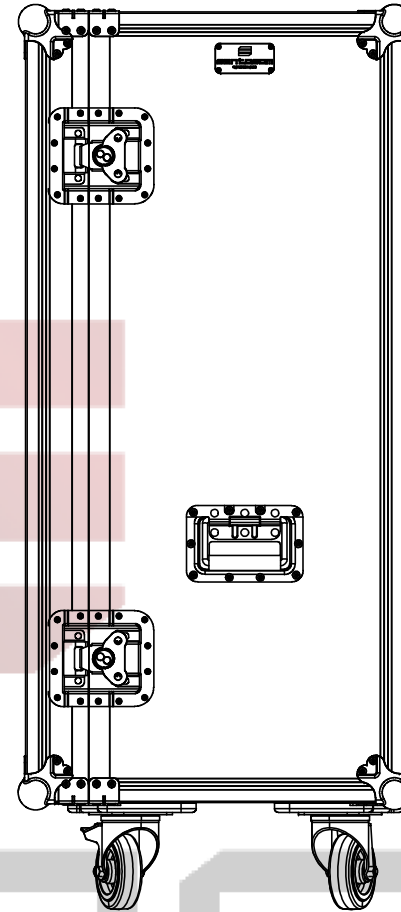


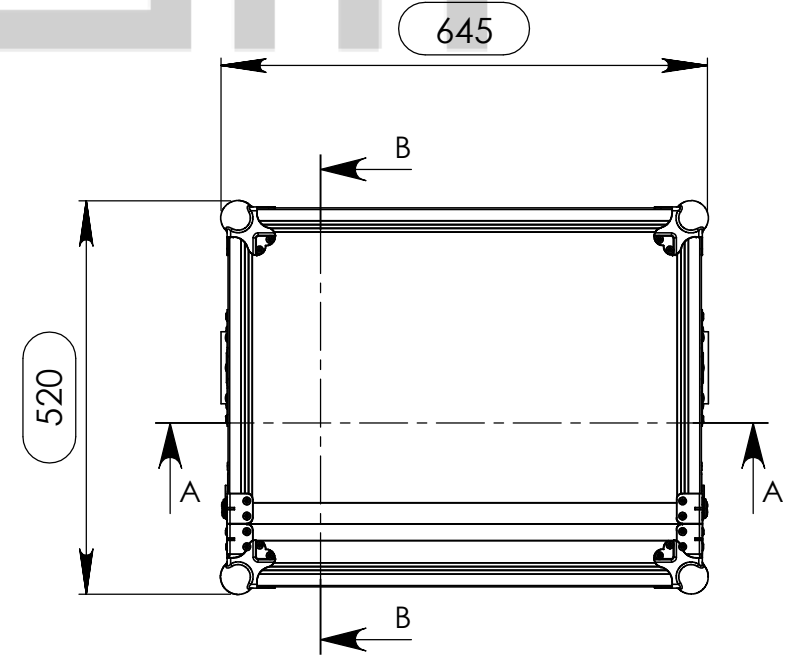
Interior dimensions		
Width	Depth	Height
598	400	1018
Weight	Approx. 35 Kg	
Wall Thickness	10mm	



SECTION A-A



SECTION B-B



Hardware	
Qty	Description
8	Heavy Duty Ball Corner
8	Large corner bracket f. 35mm case angle
2	Recessed sprung handle medium model
4	Large butterfly V3 with 'push-back' function in 14mm dish
2	Swivel castor Ø100 mm with brake
2	Swivel castor Ø100 mm

Drawn by	Name	Date
DanielLopes	DanielLopes	31-05-2012
Reference	1847.006	
Scale	units in mm	general tolerance
1:10	DO NOT SCALE	0.8mm
1st Angle projection	FC. 6.0 - FC. VINO (Vermut) 600x400x1000mm	

This drawing must not be copied or disclosed without consent of the owner

