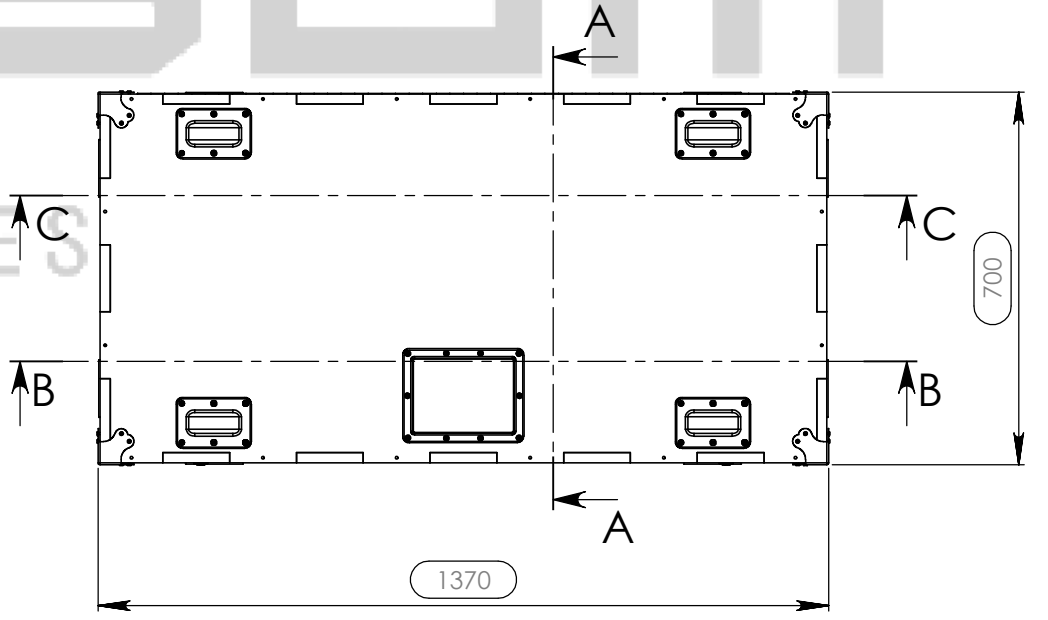
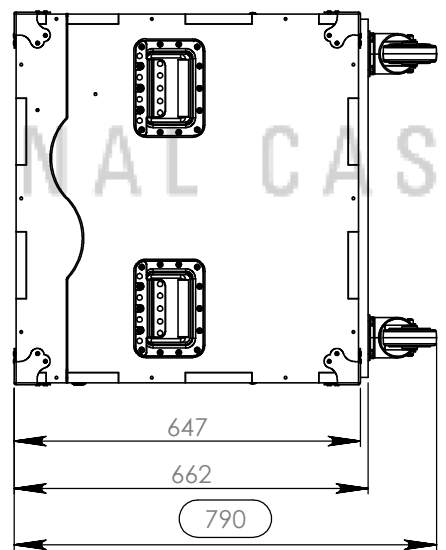
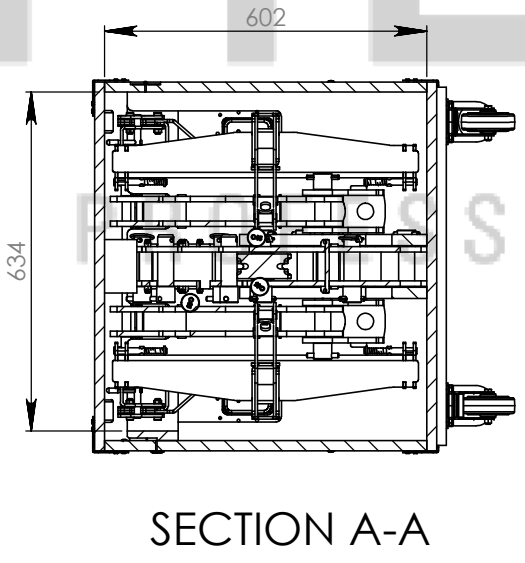
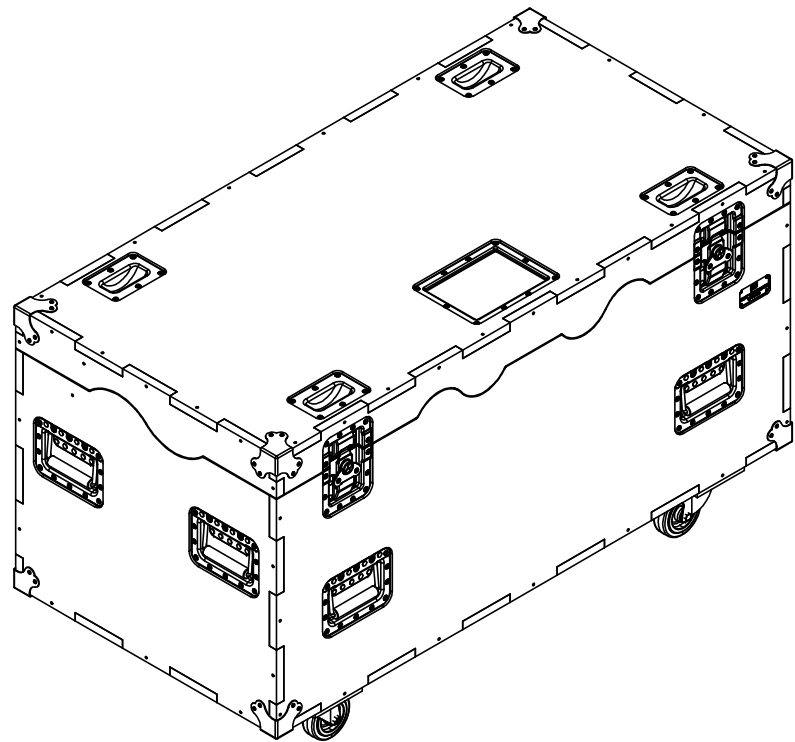
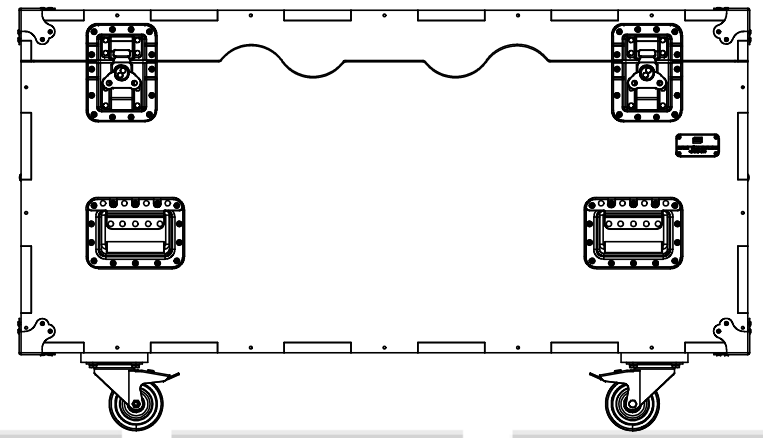
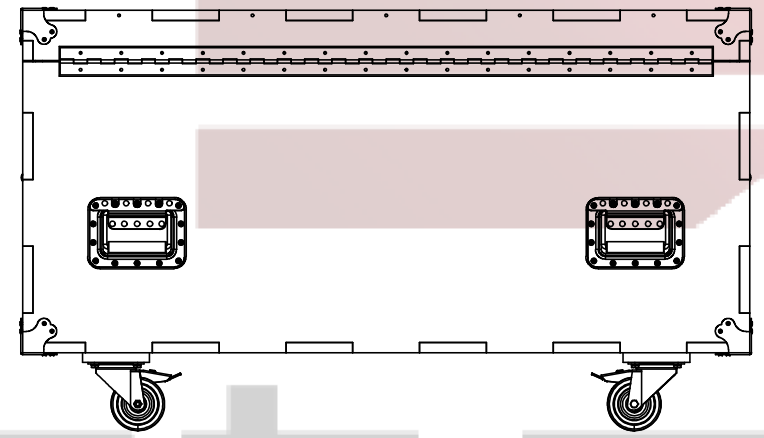
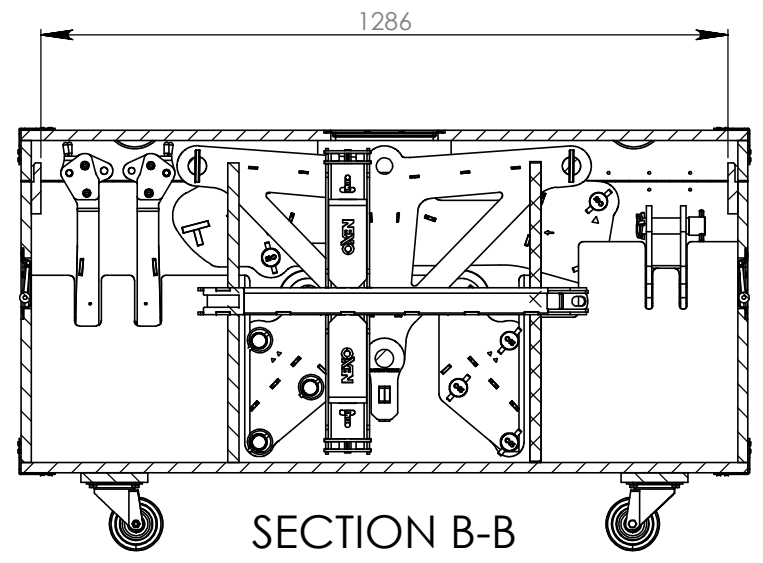
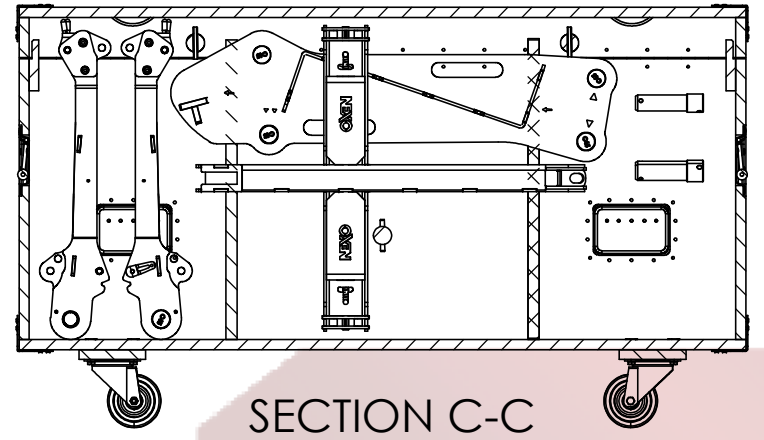
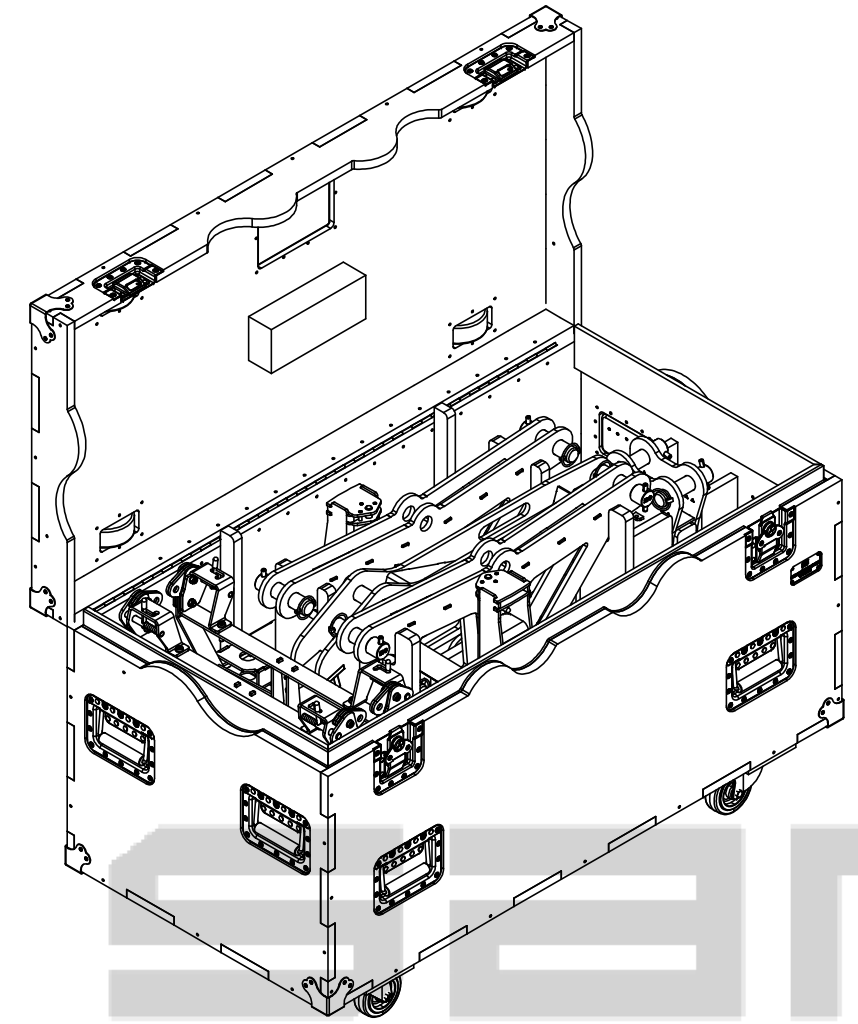


Interior dimensions		
Width	Depth	Height
1286	634	602
Weight	Approx. 75 Kg	
Wall Thickness	mm	



Config2 Flight Rigging2

This drawing must not be copied or disclosed without consent of the owner 1st Angle projection	Reference Scale 1:10 1st Angle projection	Name pedroneves Date 05-12-2012 Reference SERV.CAD Scale 1:10 general tolerance 0.08mm DO NOT SCALE	 14-11121-WA-22115
---	---	---	-----------------------