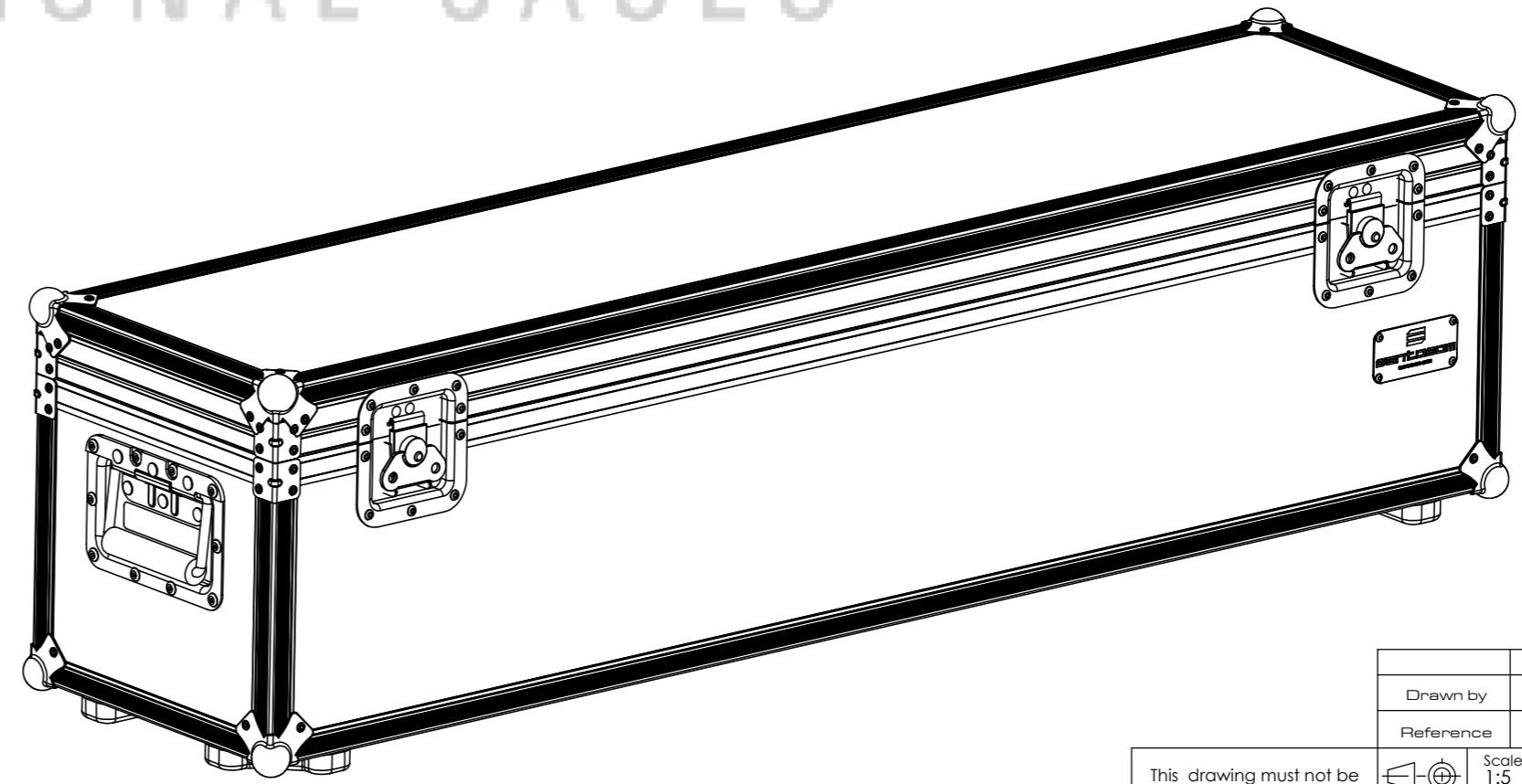
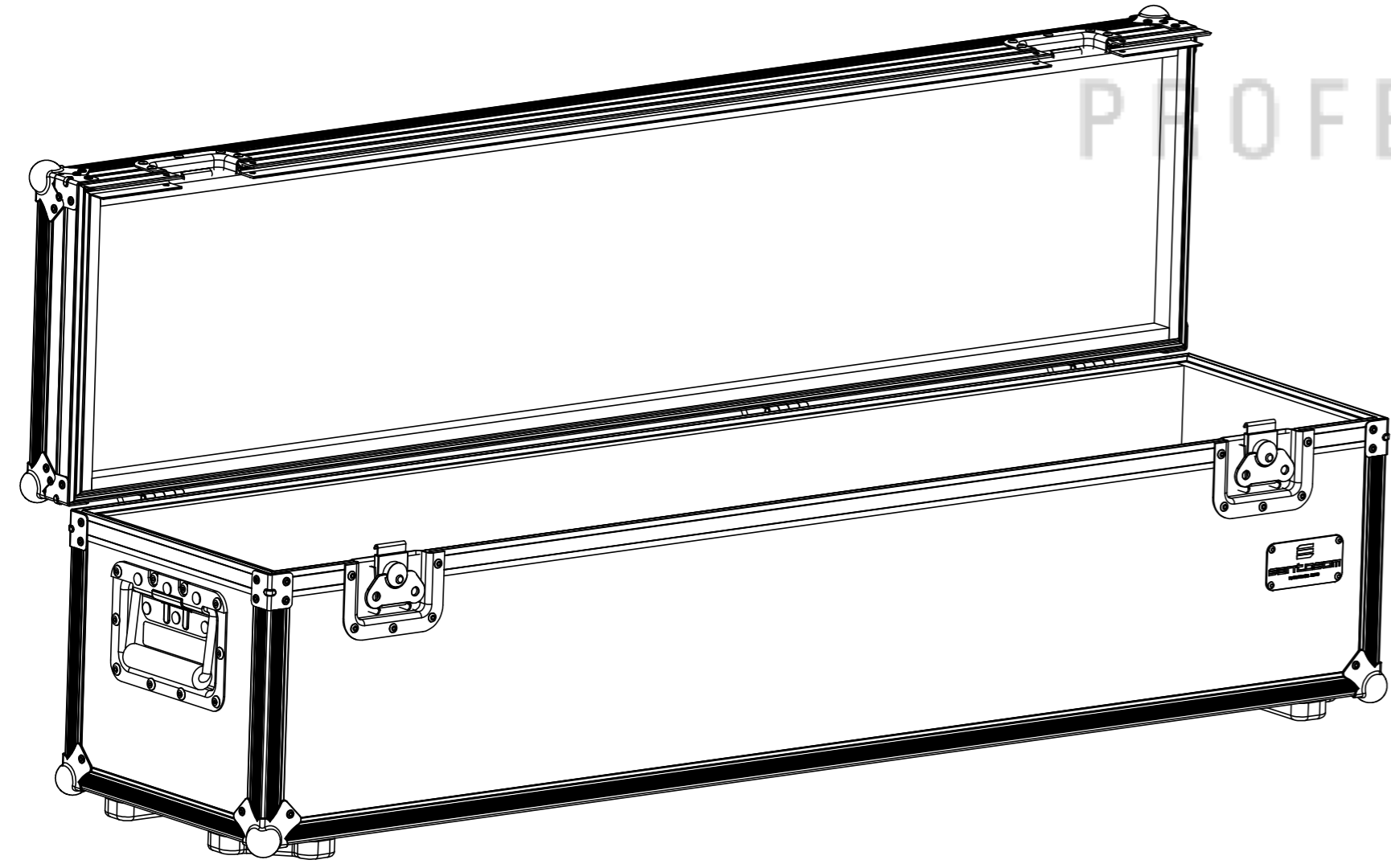
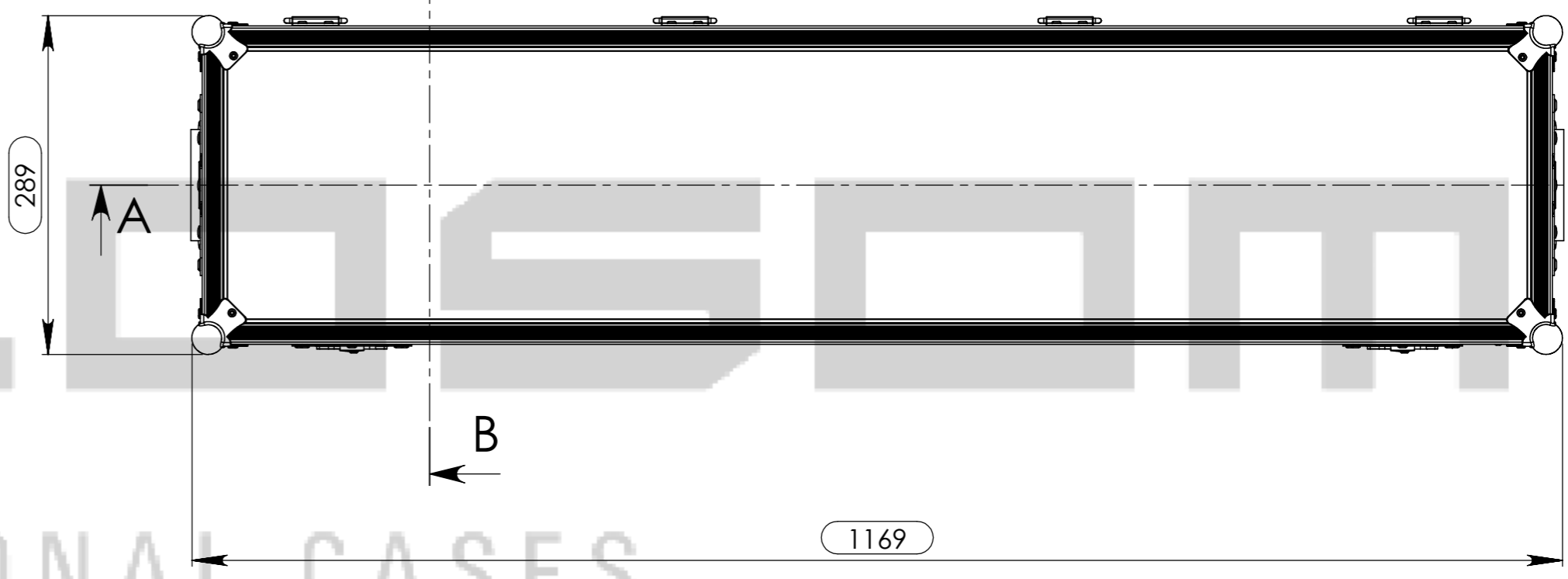
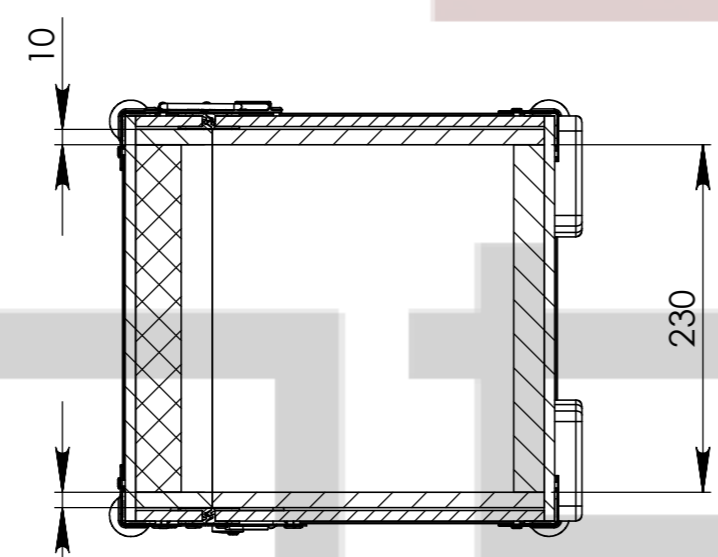
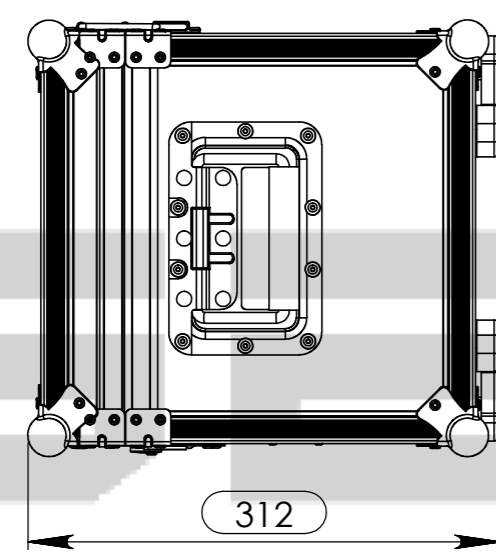
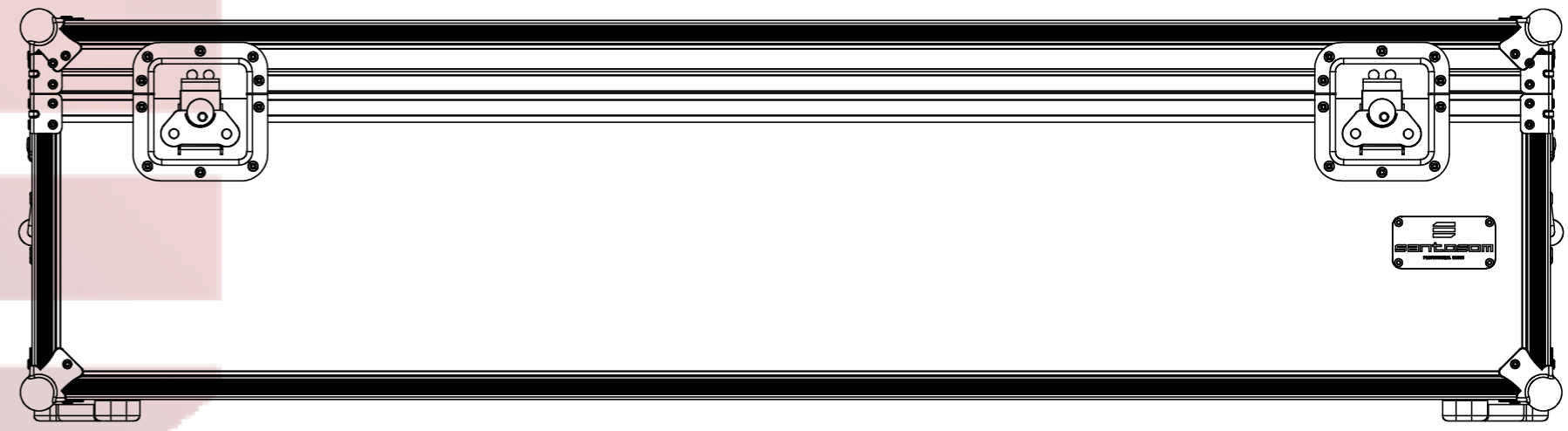
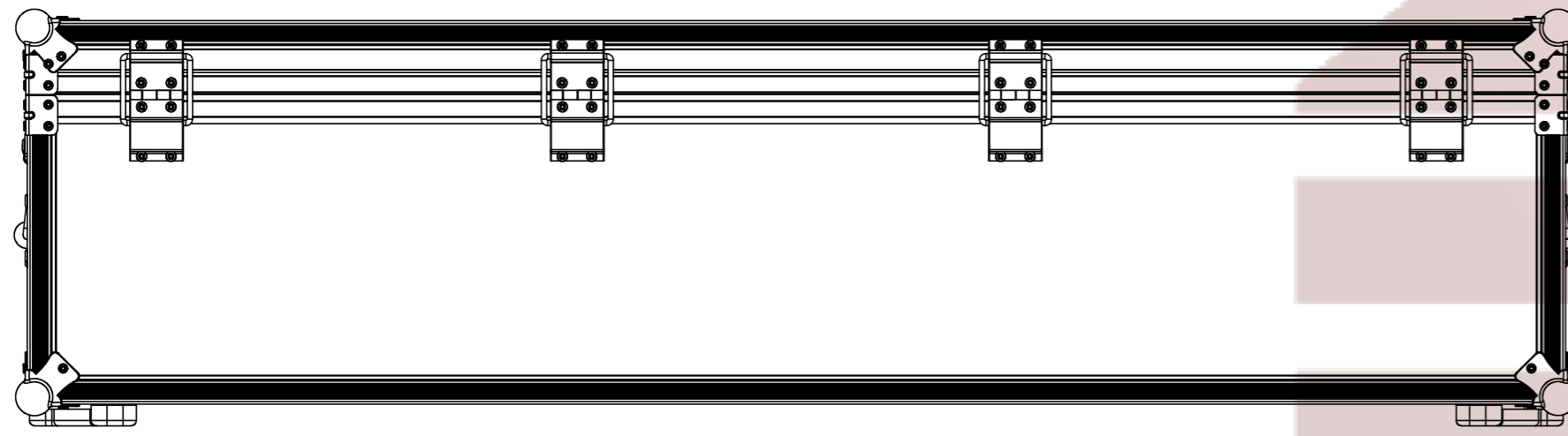
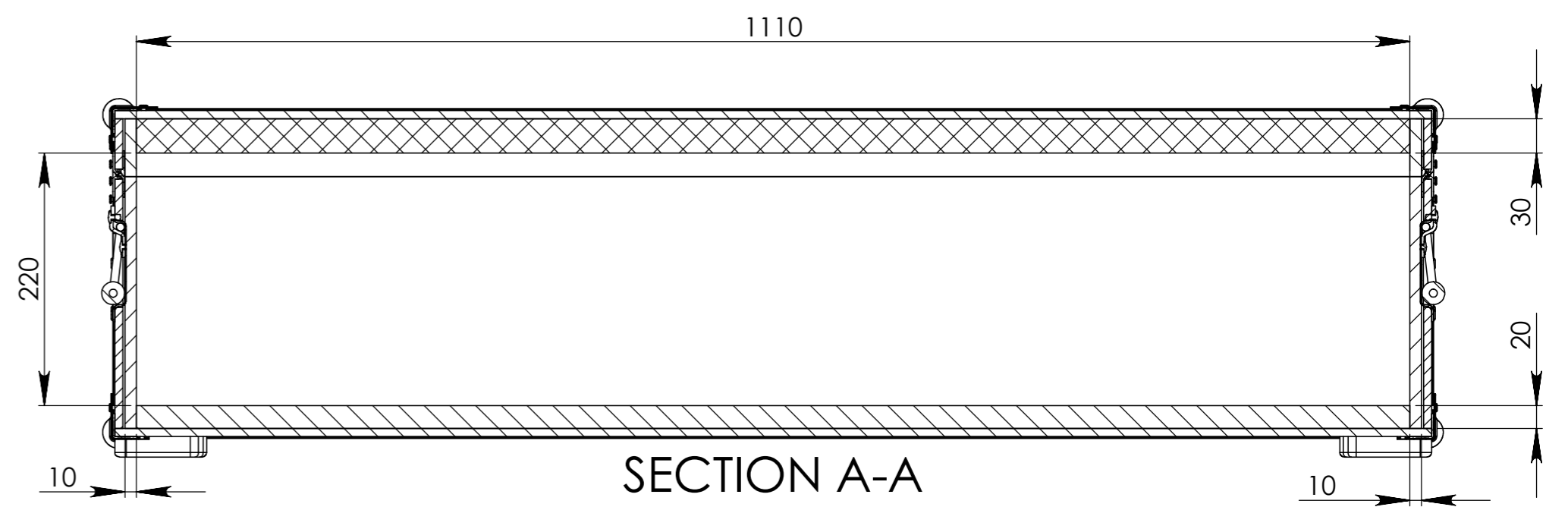


Interior dimensions		
Width	Depth	Height
1110	230	220
Weight	Approx. 7 Kg	
Wall Thickness	7mm	



This drawing must not be copied or disclosed without consent of the owner 1st Angle projection	Drawn by	Name	Date
	pedroneves	pedroneves	15-02-2012
	Reference	1720.100	
Scale	1:5	general tolerances	0.05mm
FC. 1.110x230x220mm			