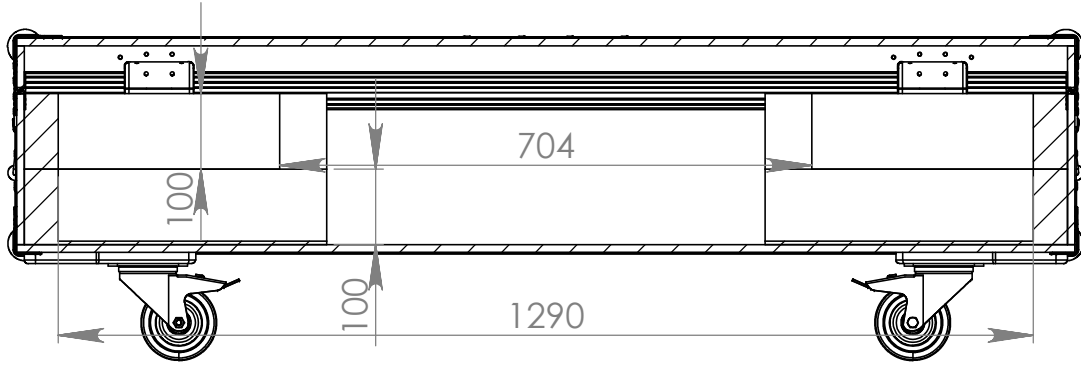
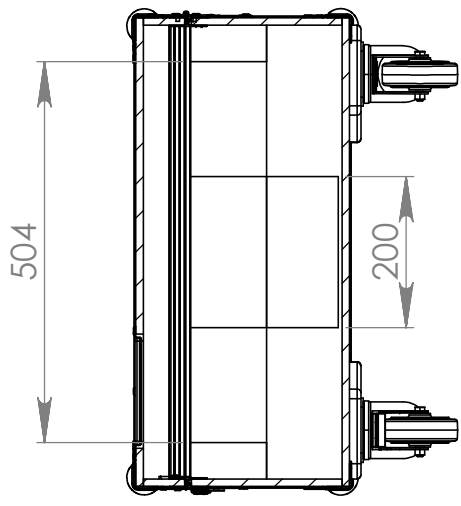
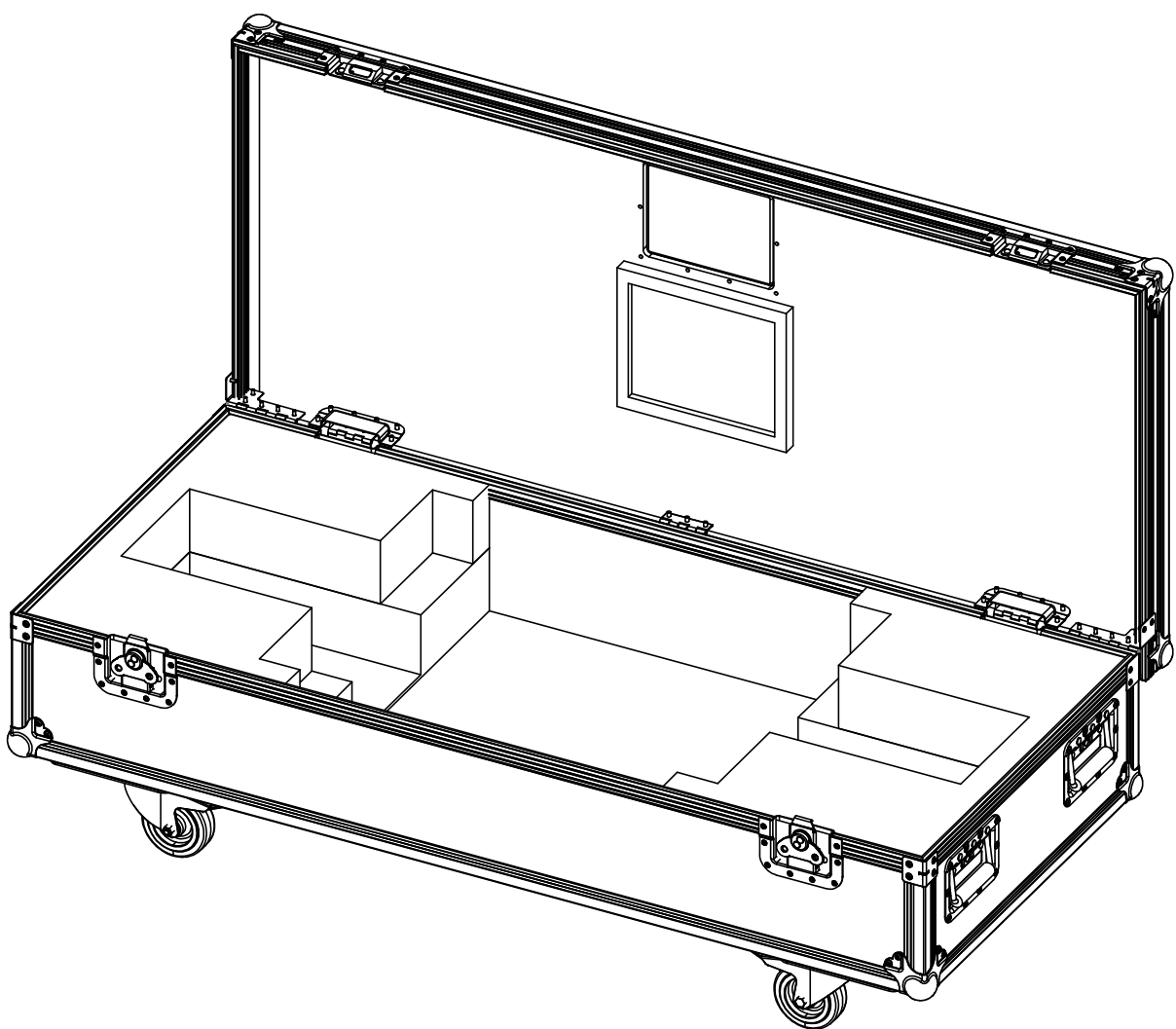
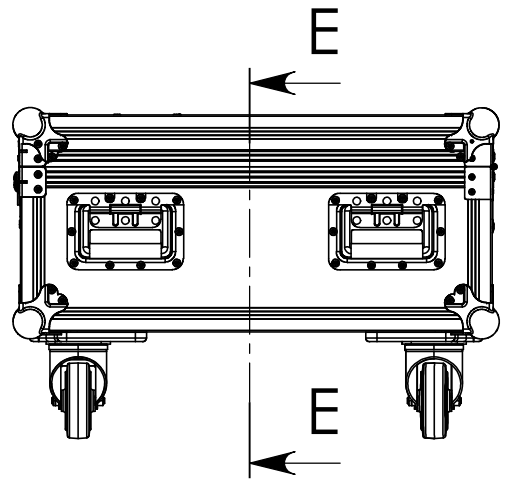


| Interior dimensions |               |        |
|---------------------|---------------|--------|
| Width               | Depth         | Height |
| 1380                | 600           | 263    |
| Weight              | Approx. 27 Kg |        |
| Wall Thickness      |               | 10mm   |

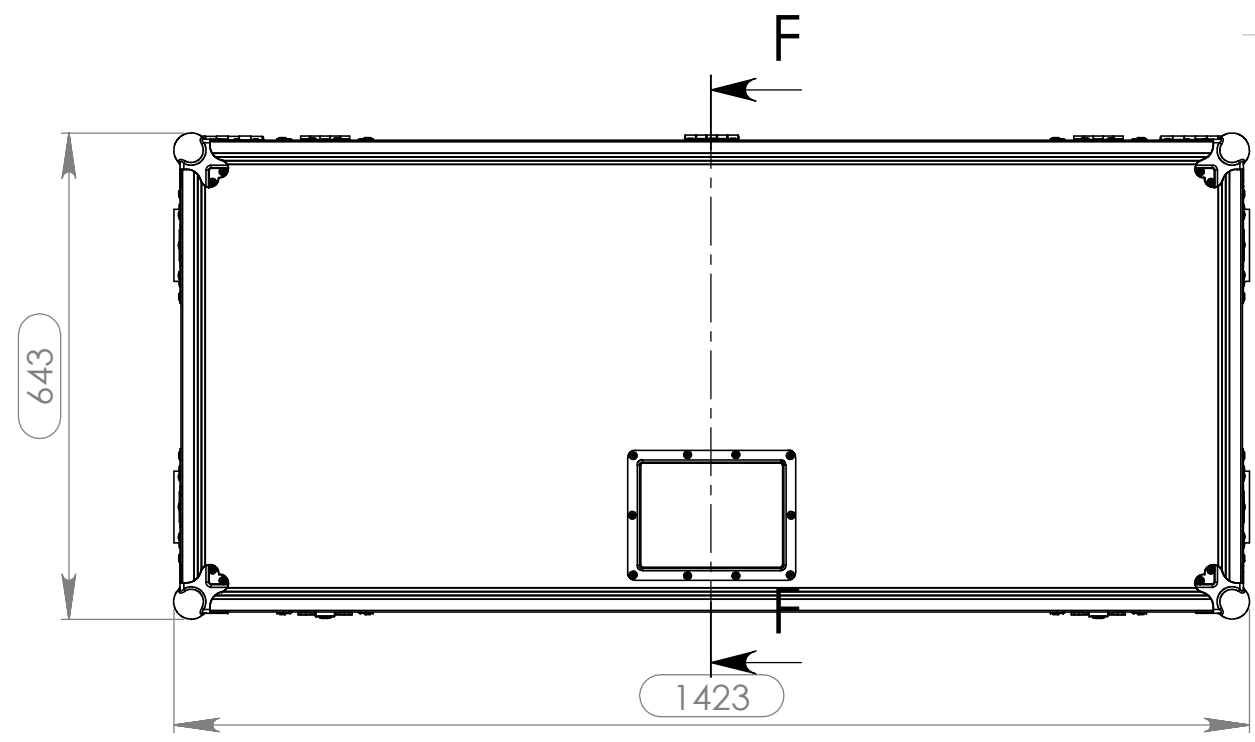
| REVISIONS |      |               |            |                  |
|-----------|------|---------------|------------|------------------|
| ZONE      | REV. | DESCRIPTION   | DATE       | APPROVED         |
| -         | 0    | Final Drawing | 18/12/2014 | Carlos Rodrigues |



SECTION E-E



SECTION F-F



|   |                                     |                             |
|---|-------------------------------------|-----------------------------|
| Material  | Name                                | Date                        |
| Drawn by  | DanielLopes                         | 18-12-2014                  |
| Reference   | MLS.0800B                           |                             |
| This drawing must not be copied or disclosed without consent of the owner | Scale                               | units in mm<br>DO NOT SCALE |
|   | 1:10                                | general tolerance<br>0.8mm  |
| 1st Angle projection  | MALÃO MLS<br>800X500X500 MM - RODAS |                             |

