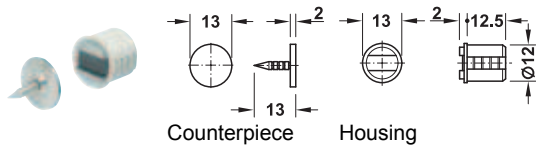


→ Pull 2.0–3.0 kg, for Ø 12 mm drill hole

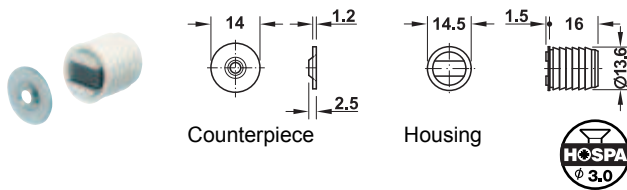


- > Material: Housing: Plastic, counterpiece: Steel
- > Version: Rigid housing, movable counterpiece
- > Installation: Housing for press fitting, counterpiece for knocking in

Colour	Cat. No.
Housing: White	246.43.758

Packing: 1 or 200 pieces

→ Pull 2.5–3.5 kg, for Ø 13.6 mm drill hole

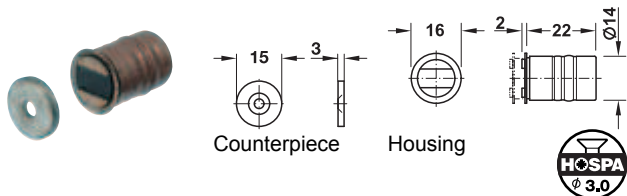


- > Material: Housing: Plastic, counterpiece: Steel
- > Version: Rigid housing and counterpiece
- > Installation: Housing for press fitting, counterpiece for screw fixing

Colour	Cat. No.
Housing: White	246.03.709
Housing: Brown	246.03.101

Packing: 1 or 50 pieces

→ Pull 5.0 kg, for Ø 14 mm drill hole

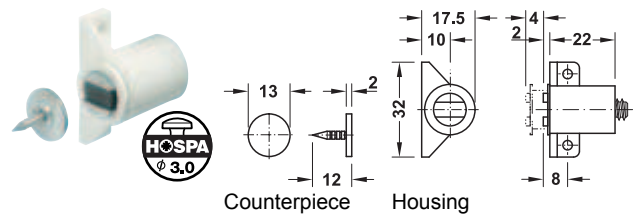


- > Material: Housing: Brass, counterpiece: Steel
- > Version: Rigid housing and counterpiece
- > Installation: Housing for glue fixing, counterpiece for screw fixing

Finish	Cat. No.
Housing: Nickel plated	246.02.211

Packing: 1 or 20 pieces

→ Pull 3.0–4.0 kg, for screw fixing

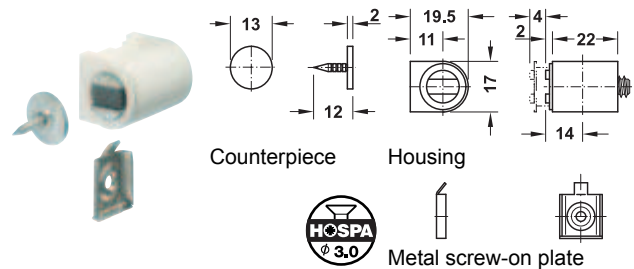


- > Material: Housing: Plastic, counterpiece: Steel
- > Version: Rigid housing, movable counterpiece
- > Adjustment facility: Magnet insert can be adjusted by approx. +4 mm by turning
- > Installation: Housing for screw fixing, counterpiece for knocking in

Colour	Cat. No.
Housing: White	246.09.701
Housing: Brown	246.09.103

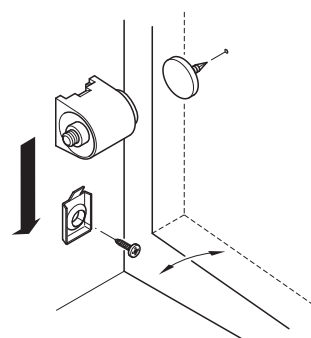
Packing: 1 or 50 pieces

→ Pull 3.0–4.0 kg, for screw fixing with screw-on plate



- > Material: Housing: Plastic, counterpiece: Steel
- > Version: Rigid housing, movable counterpiece
- > Adjustment facility: Magnet insert can be adjusted by approx. +4 mm by turning
- > Installation: Housing for screw fixing with screw-on plate, counterpiece for knocking in

Installation



Slide housing on metal screw-on plate

Supplied with

- 1 Housing
- 1 Counterpiece
- 1 Metal screw-on plate

Colour	Cat. No.
Housing: White	246.13.720
Housing: Brown	246.13.120
Housing: Silver coloured	246.13.920

Packing: 1 or 50 pieces

