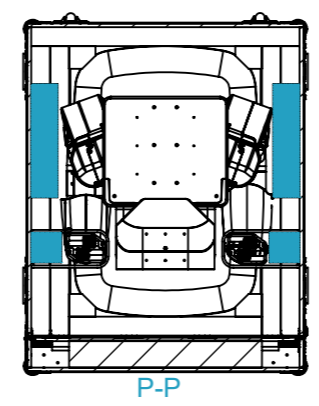
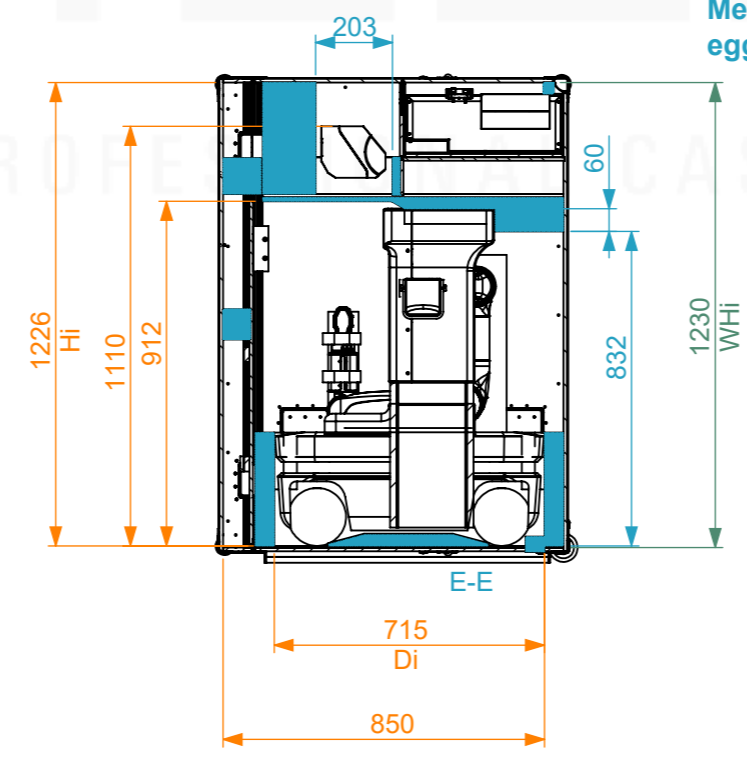
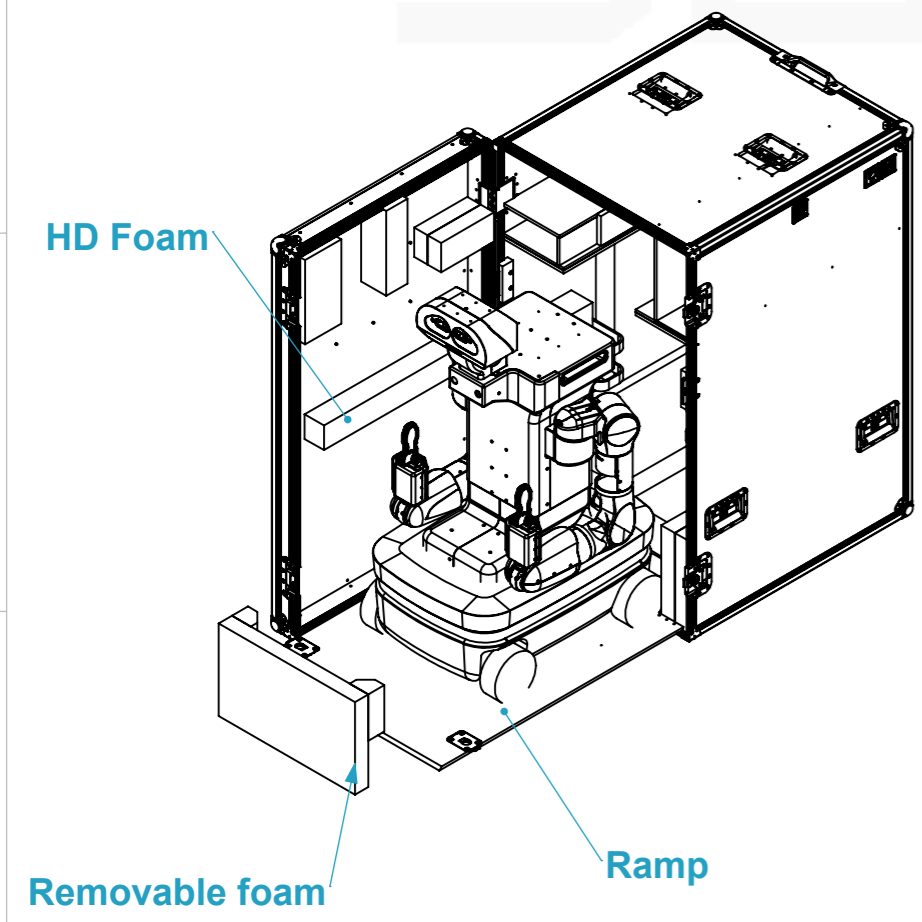
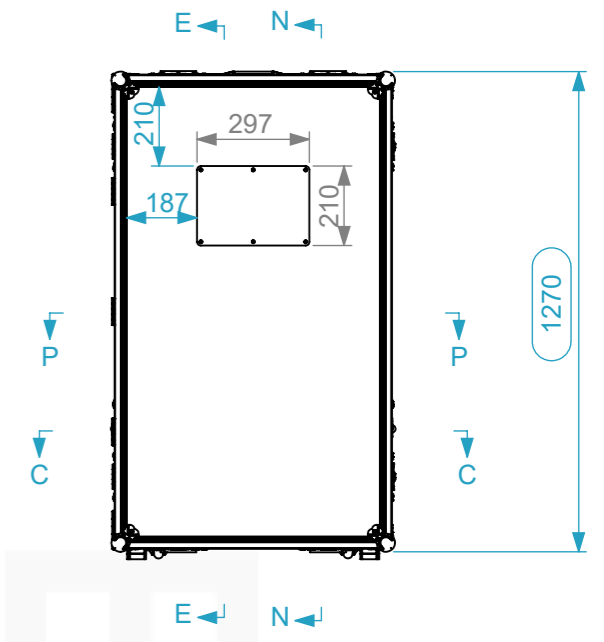
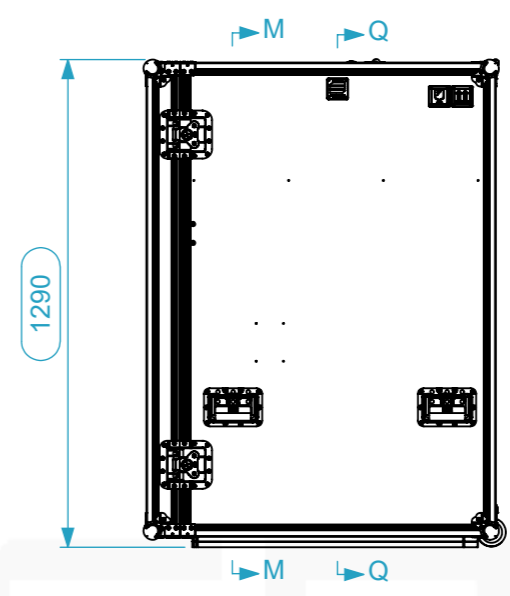
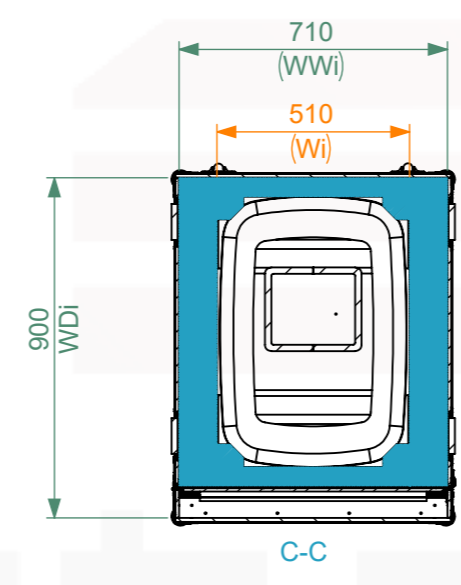
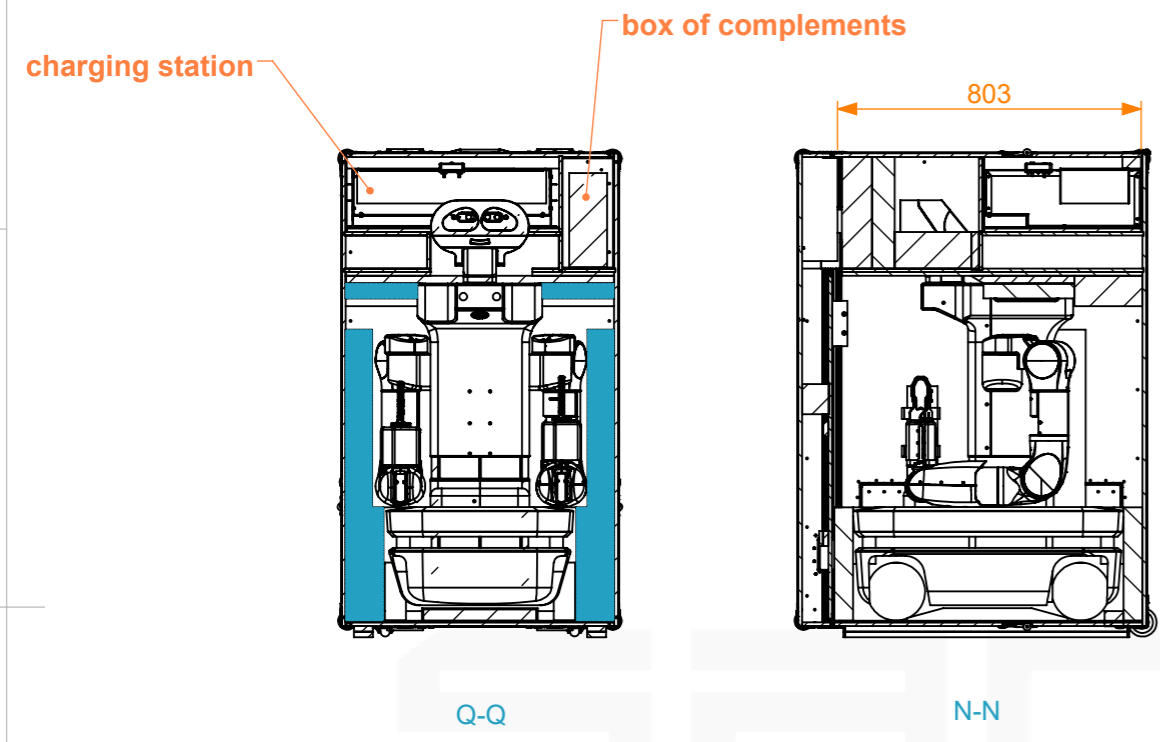
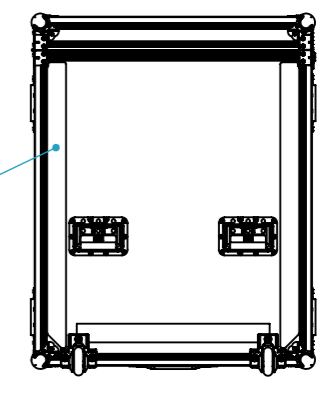


Equipment			TIAGo++ (Dual Arm)		
Width	Depth	Height			
558	717	1090			
Internal Dimensions					
Width	Depth	Height			
510	715	1226			
Weight	Approx. 68.63 Kg				
Wall Thickness	10mm				

General External Dimensions		Usable Inner Dimensions		Wood Inner Dimensions	
W	Width	Wi	Inside Width	WWi	Wood Inside Width
D	Depth	Di	Inside Depth	WDi	Wood Inside Depth
H	Height	Hi	Inside Height	WHi	Wood Inside Height

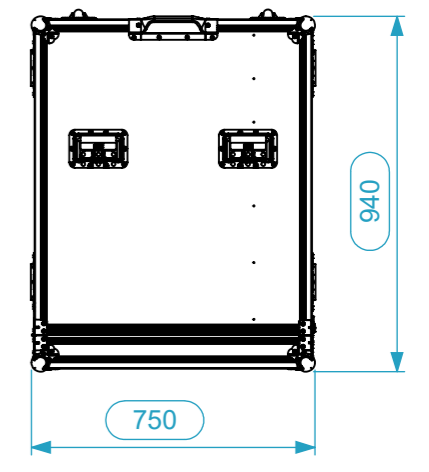
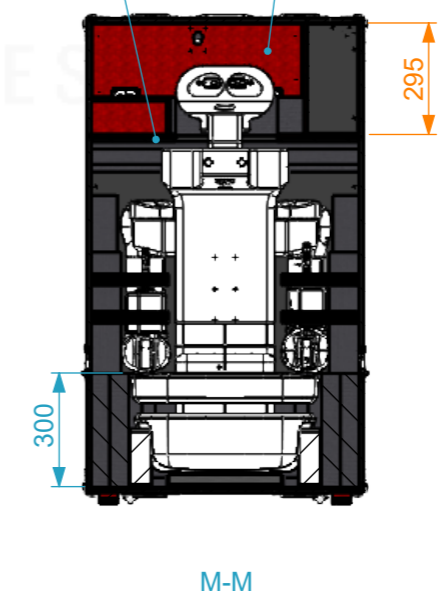


Wood feet with PE plastic covers



Medium density eggbox foam

Compartment for accessories



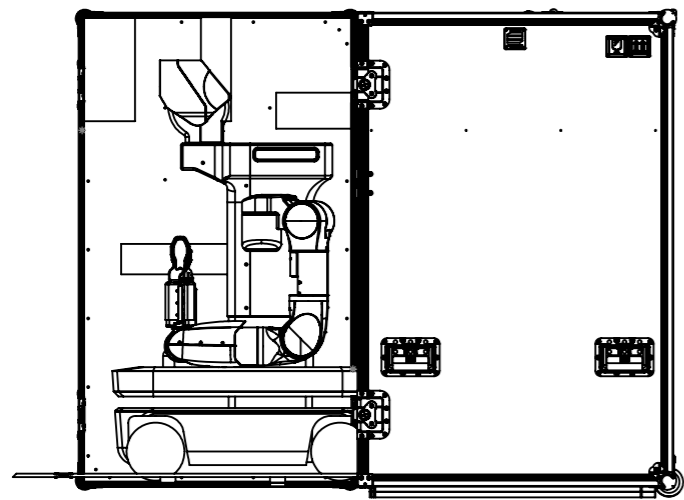
Name	Date
Drawn by paula.almeida	30/04/2025
Reference	1685.016C
Scale	1:20
units in mm	general tolerance 0.8mm
DO NOT SCALE	
Flight case, Pal Robotics Robot TIAGo++ (Dual Arm) + new foam	



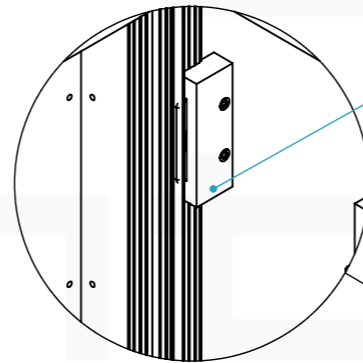
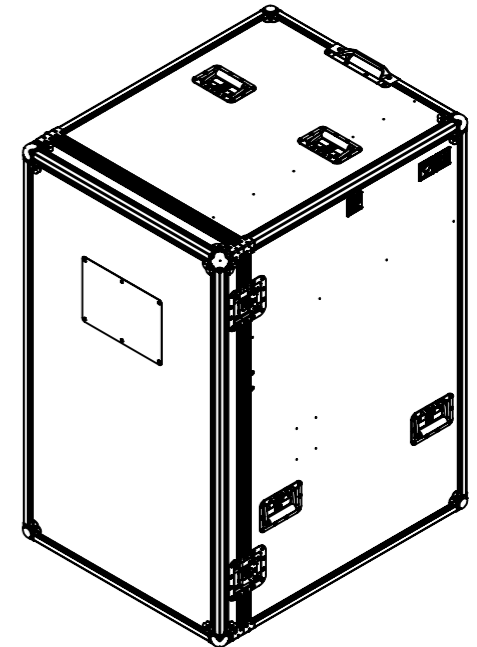
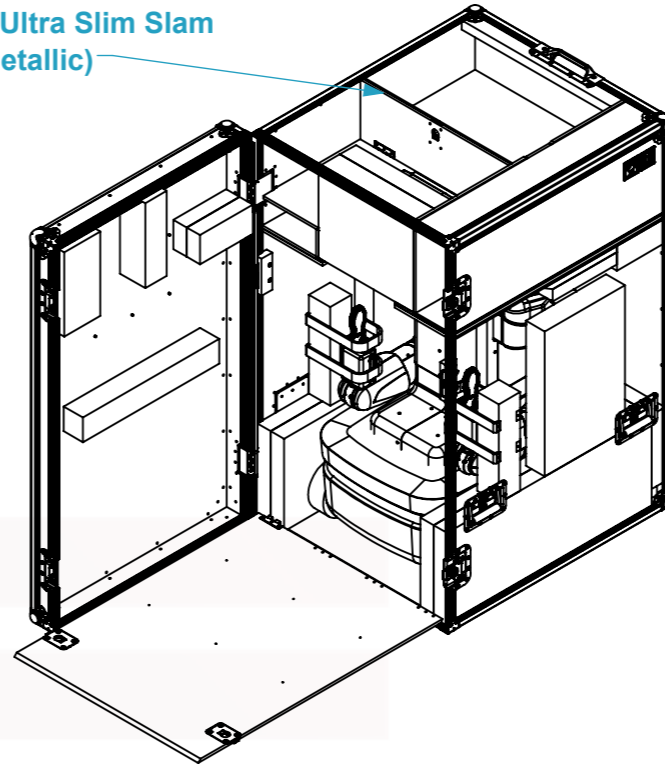
This drawing must not be copied or disclosed without consent of the owner



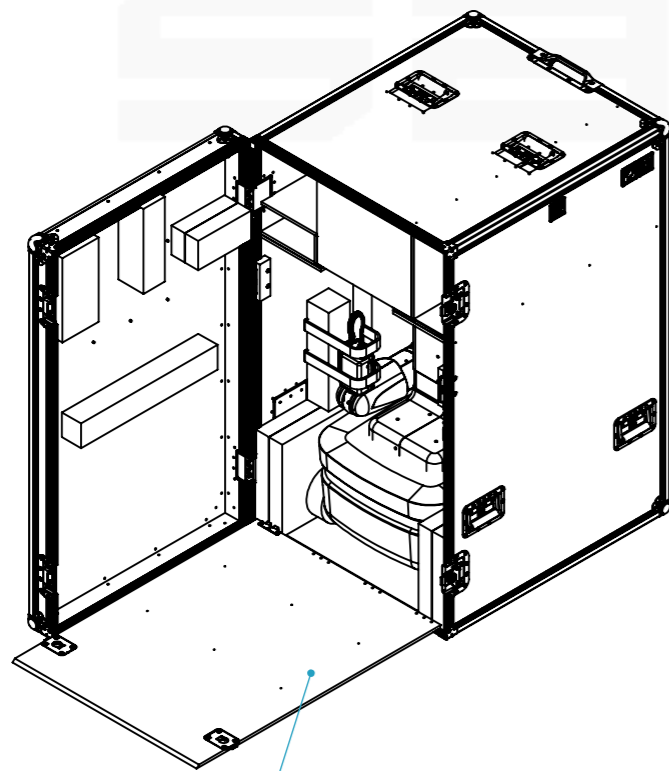
A3



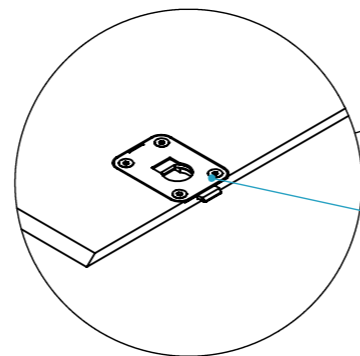
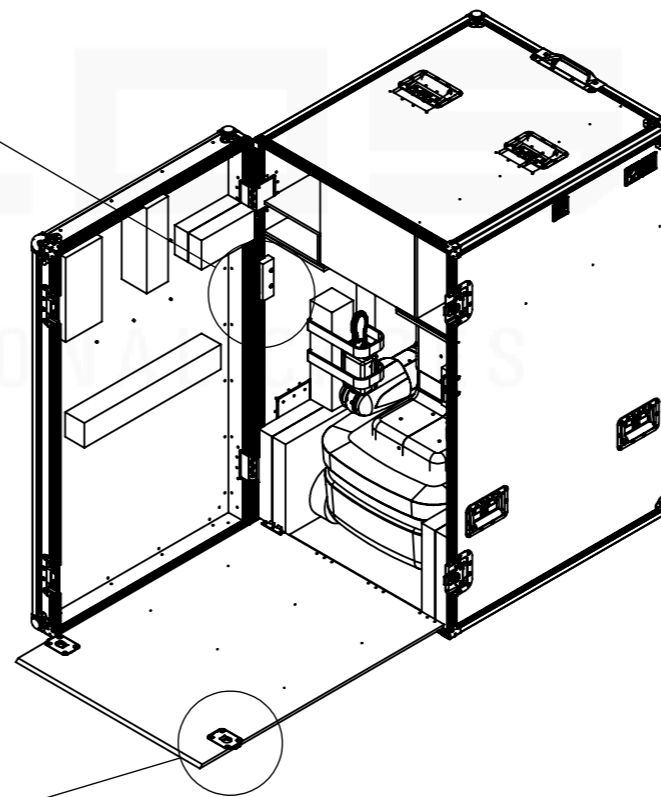
Lid with Ultra Slim Slam Latch (Metallic)



Ramp holder with catch plate



Hinged ramp



Ultra Slim Slam Latch (Metallic)

A3

This drawing must not be copied or disclosed without consent of the owner



Scale 1:20
units in mm
DO NOT SCALE
general tolerance 0.8mm

Name	Date
Drawn by paula.almeida	30/04/2025
Reference	1685.016C

