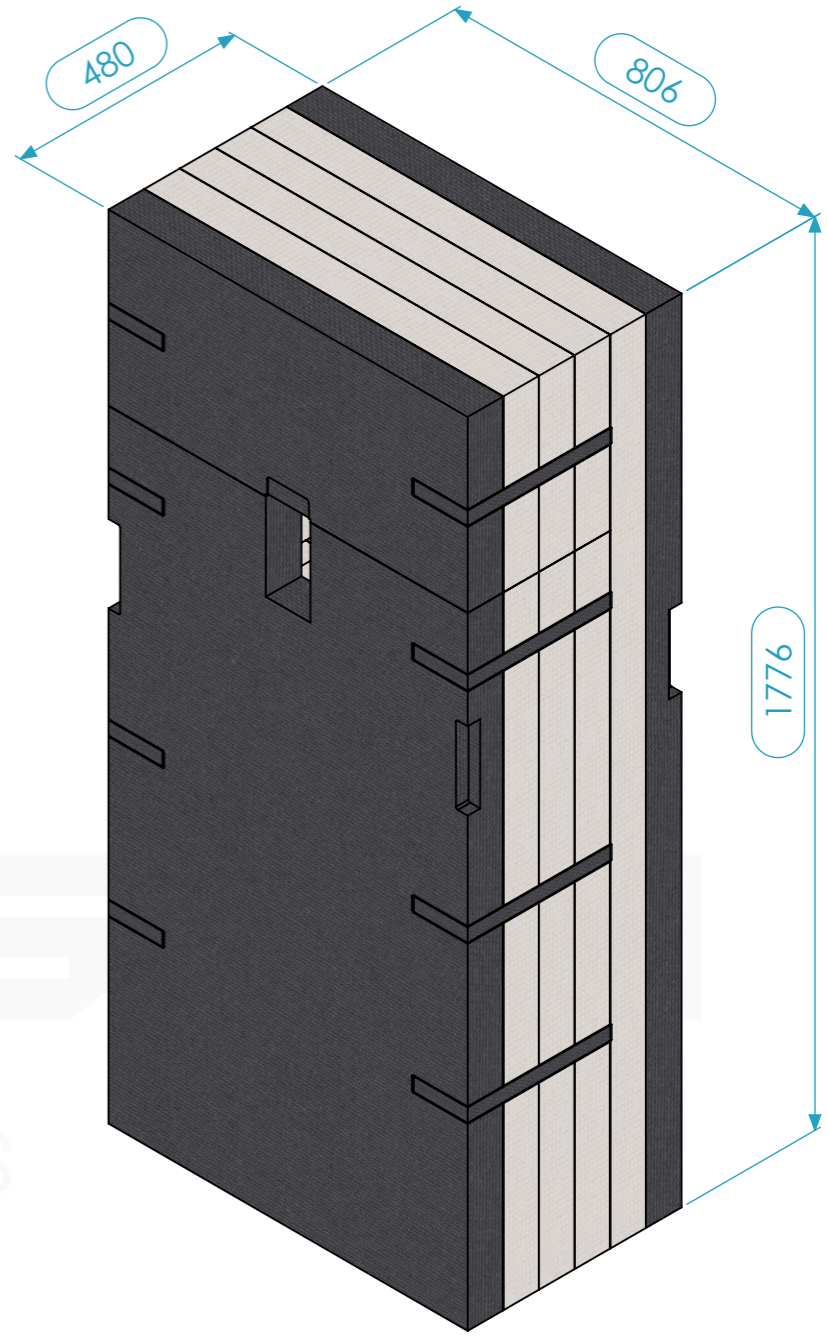
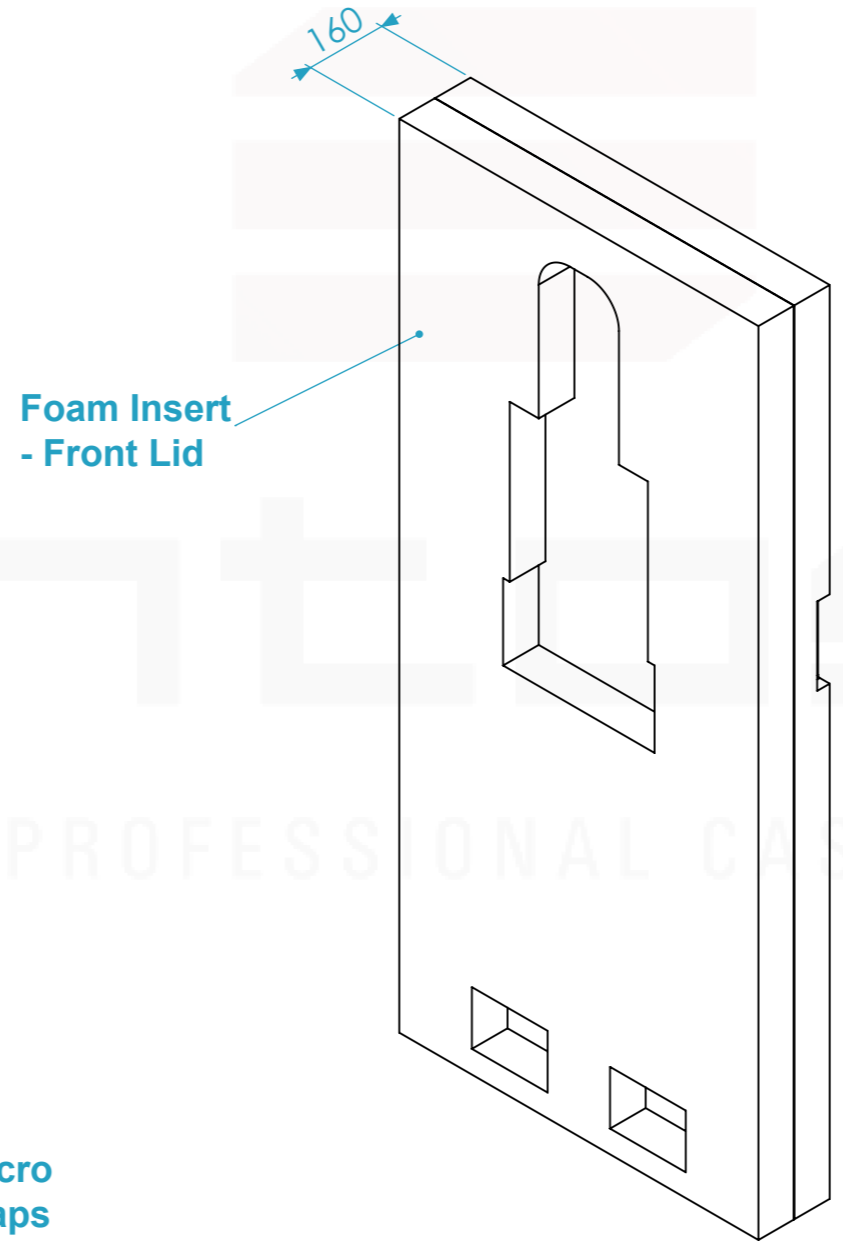
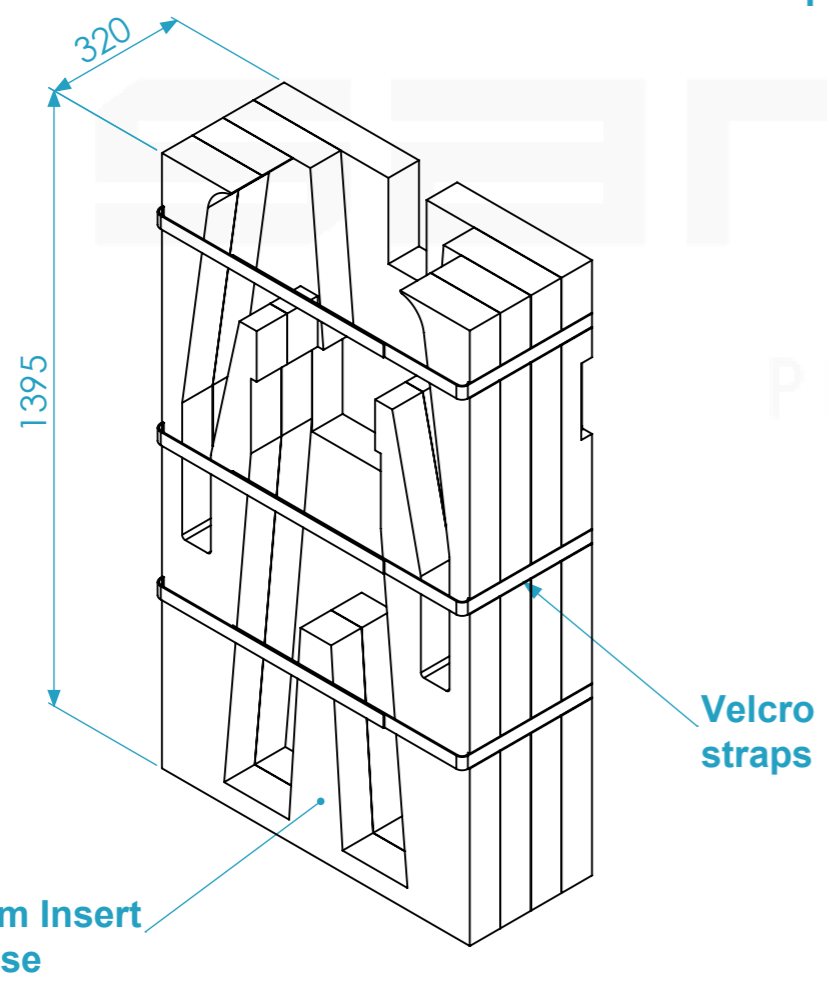
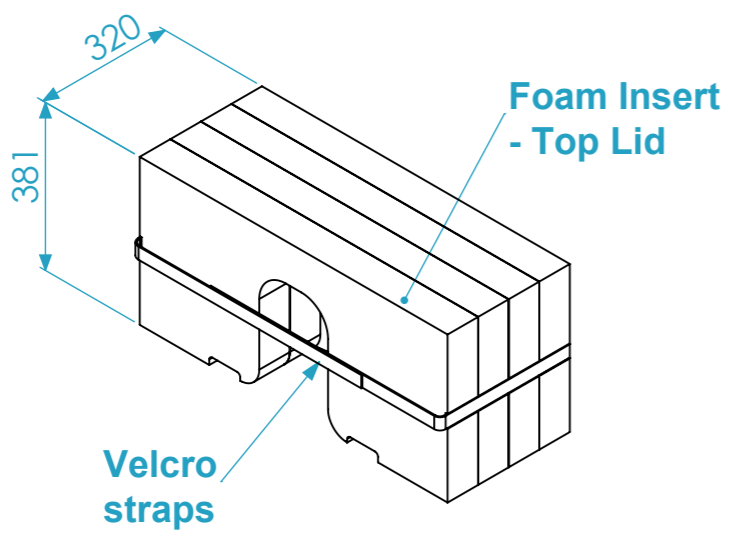


Equipment	Robot REEM-C	
Foam Insert Dimensions		
Width	Depth	Height
806	480	1776
Weight	Approx. 13 Kg	
Layers Thickness	mm	



General External Dimensions	
W	Width
D	Depth
H	Height

Name	alexandre	Date	27-11-2019
Reference	1685.006.A10		
Scale	1:5	units in mm	DO NOT SCALE
general tolerance	0.8mm		
CONJUNTO ESPUMAS PUR 23 CINZA P/ ROBOT LAAS			



This drawing must not be copied or disclosed without consent of the owner



A3