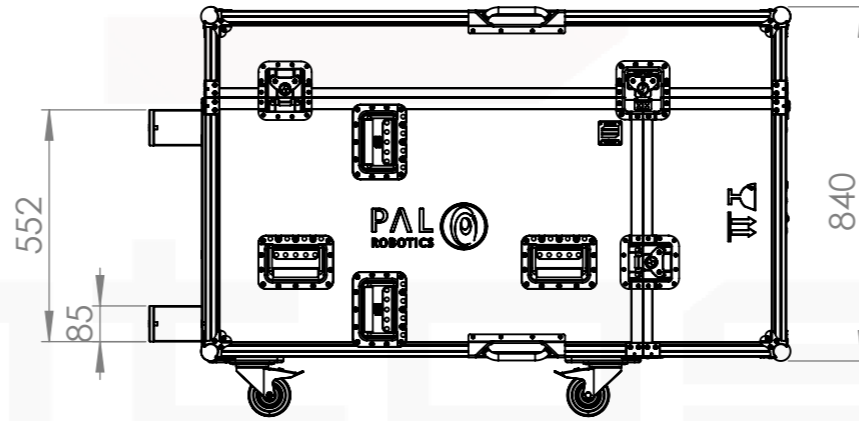
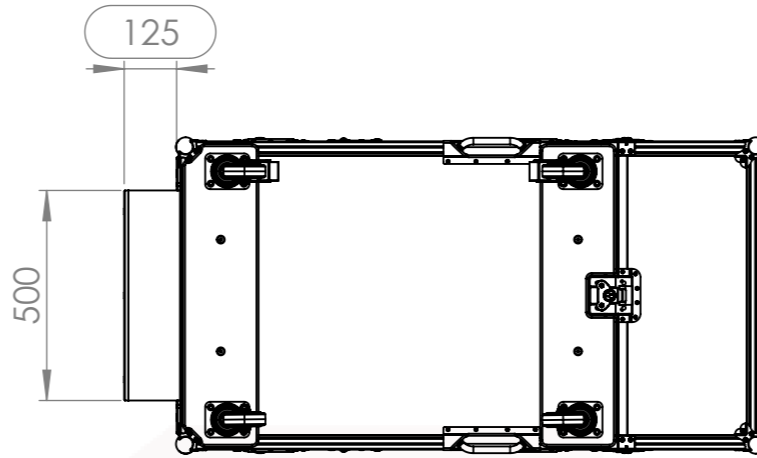
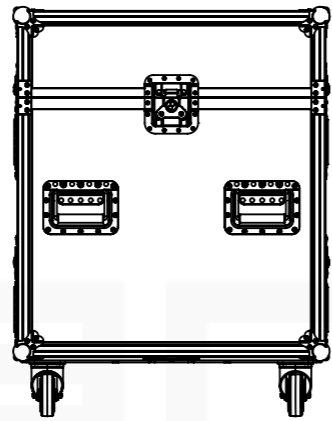
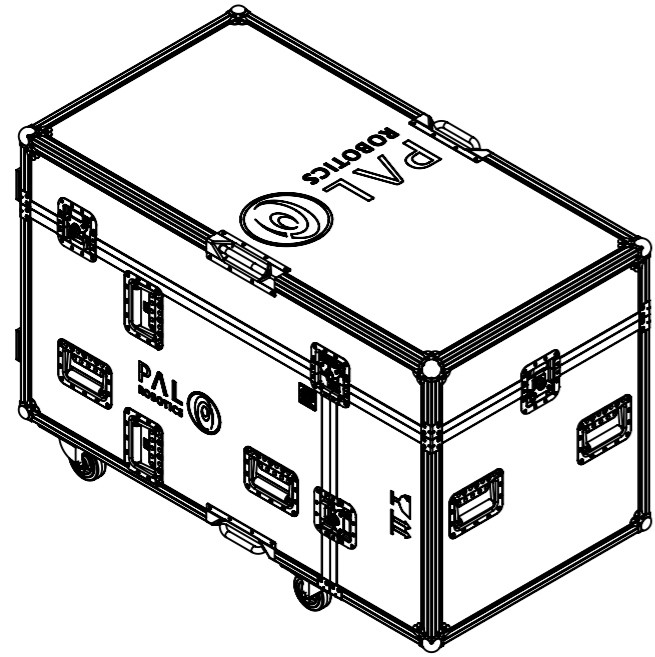
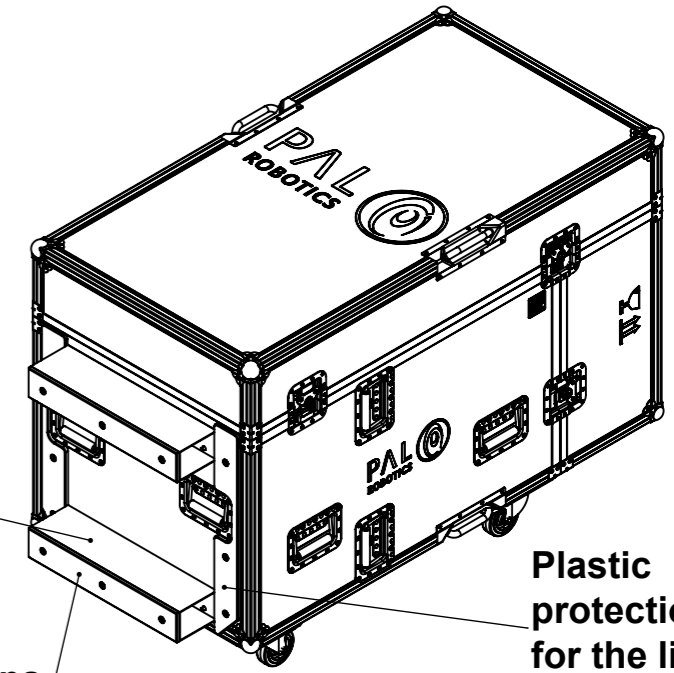


Internal Dimensions		
Width	Depth	Height
1356	706	800
Weight	Approx. 81 Kg	
Wall Thickness		10mm

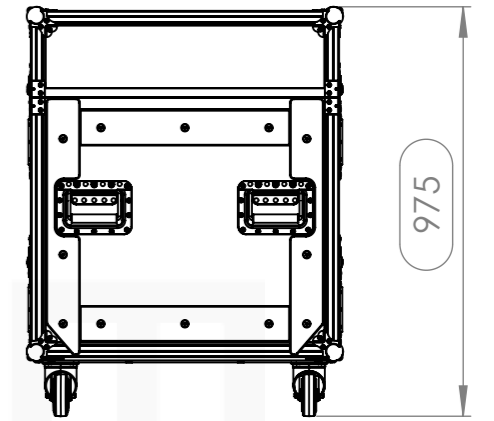


Aluminum rectangular profile

Plastic caps for floor protection

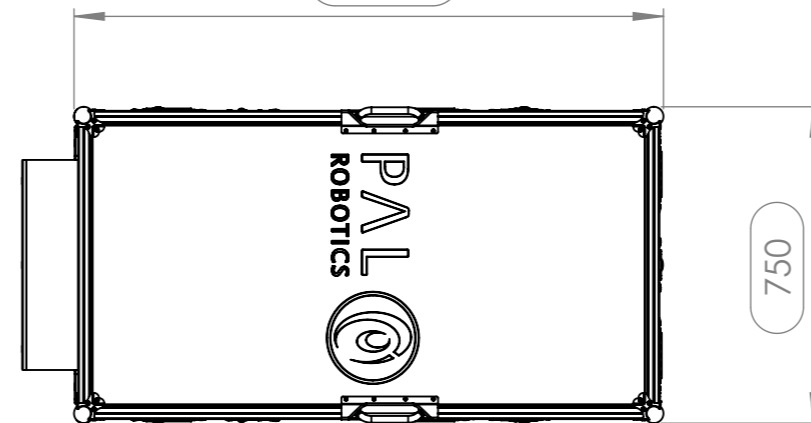


Plastic protection for the lifting device arms

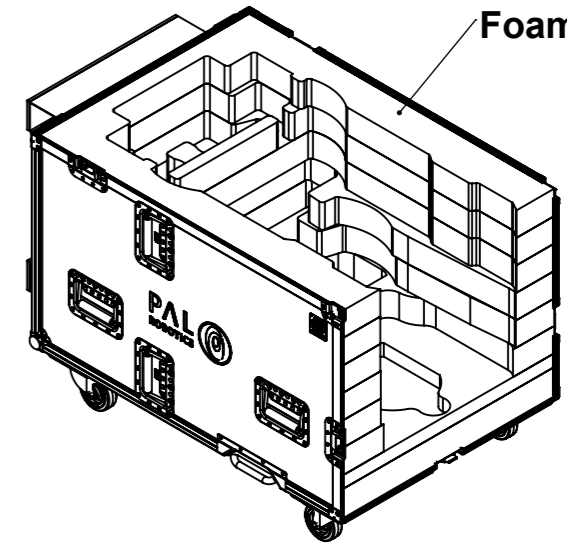


PROFESSIONAL CASES

1400



Foam Inserts



Hardware		
Qty	Ref.	Description
8	410429	Ball Corner large three-leg cranked 35 mm 9 holes
12	40403	Large corner bracket f. 35mm case angle
12	34085	Large, heavy duty, recessed sprung handle
2	RODA.100T	Swivel castor Ø100mm with brake
2	RODA.100	Swivel castor Ø100 mm
1	CHAPA.1000	Identification Plate
4	34041	Case edge handle
2	172535	Butterfly latch short cranked 14 mm deep with split dish
6	172531	Large butterfly V3 with 'push-back' function

This drawing must not be copied or disclosed without consent of the owner

Name	Date	
alexandre	28/04/2017	
Reference	1685.005A	
Scale	units in mm	general tolerance
1:18	DO NOT SCALE	0.8mm
FLIGHTCASE, PAL ROBOTICS ROBOT LAAS (V2)		



A3

