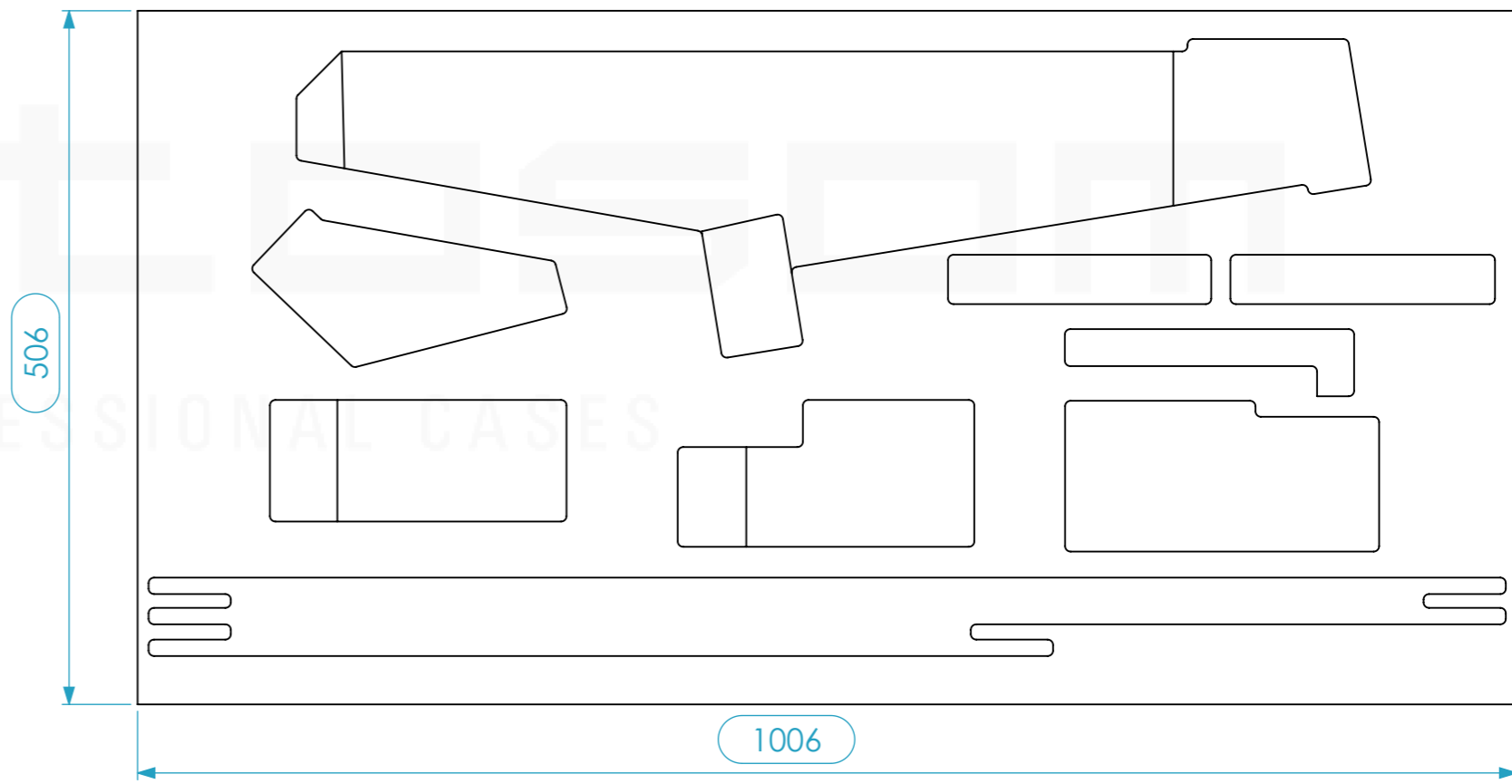
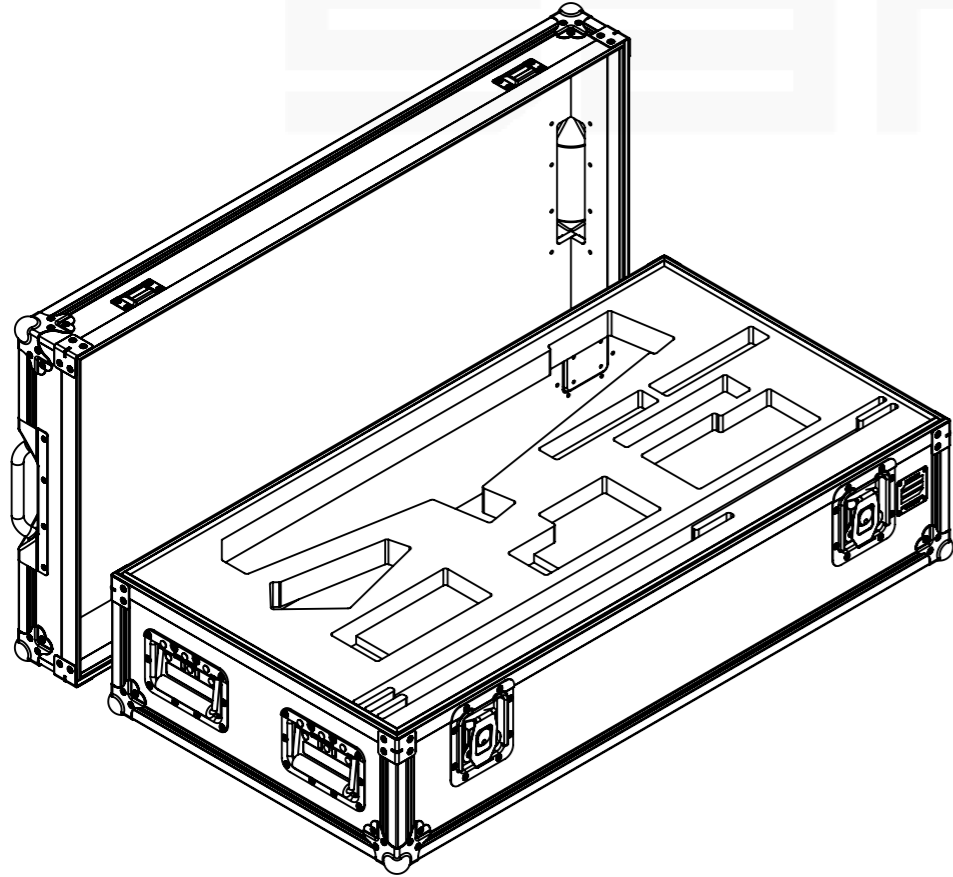
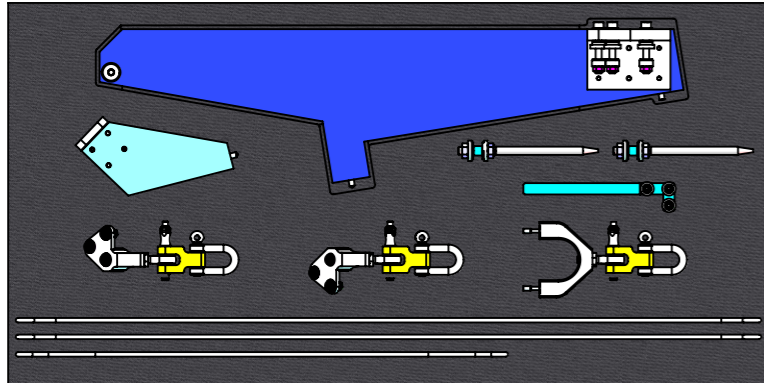


Internal Dimensions

Width	Depth	Height
1006	506	200
Weight	Approx. 2.33 Kg	



Drawn by	Name	Date
CarlaSilva	CarlaSilva	16/01/2018
Reference	1681.009	
Scale	units in mm	general tolerance
1:5	DO NOT SCALE	0.8mm
EHD 1006X506X200		



This drawing must not be copied or disclosed without consent of the owner



A3