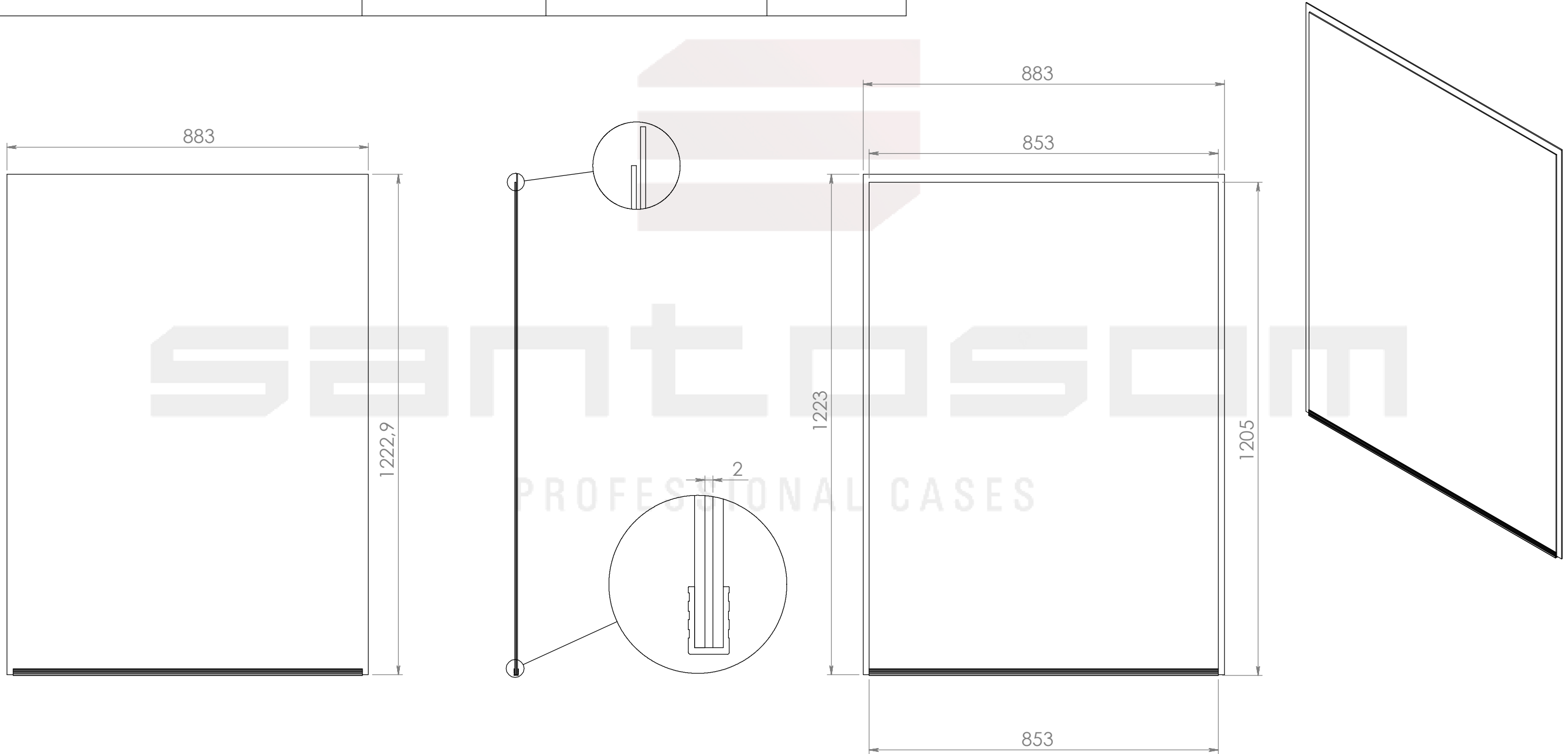


Lista de Peças

Descrição	QTY.	comprimento (W)	largura (D)	Material
peça 1	1	1223	883	Polycarbonato
Peça 2	1	1205	853	Polycarbonato
Peça Aluminio U7mm	1	1204		Aluminio



Drawn by	Name	Date
telmosantos	telmosantos	04-12-2014
Reference	1652.005	
Scale	units in mm	general tolerance
1:10	DO NOT SCALE	0.8mm
Acrylic		



This drawing must not be copied or disclosed without consent of the owner



A3