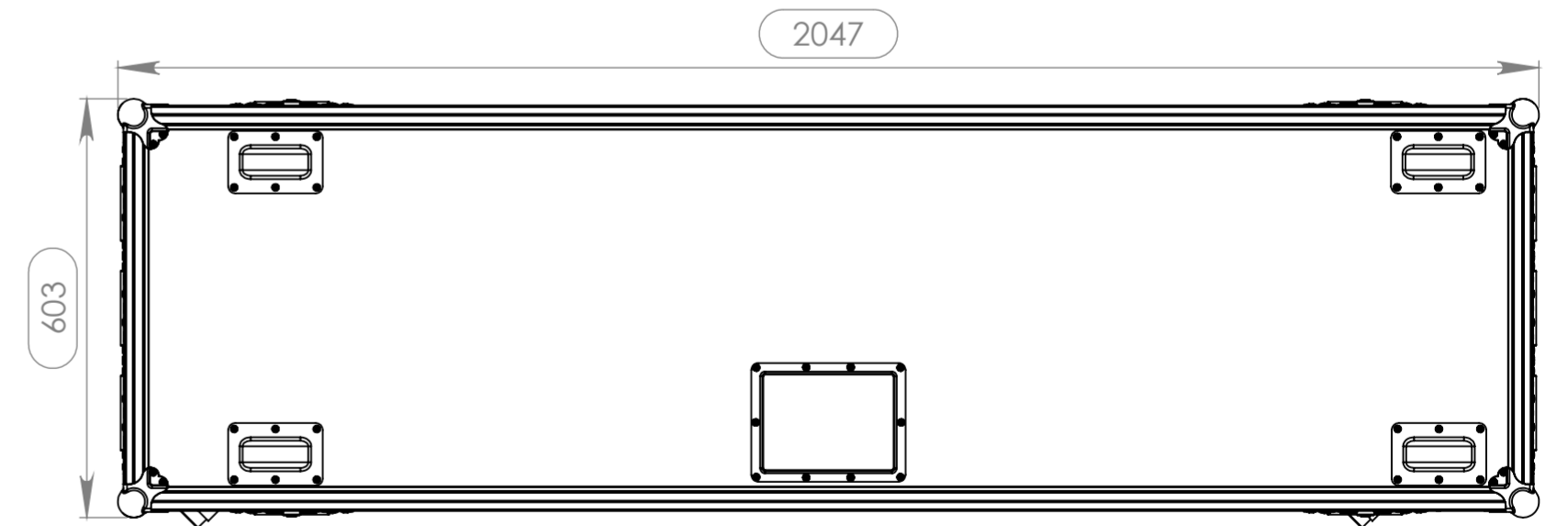
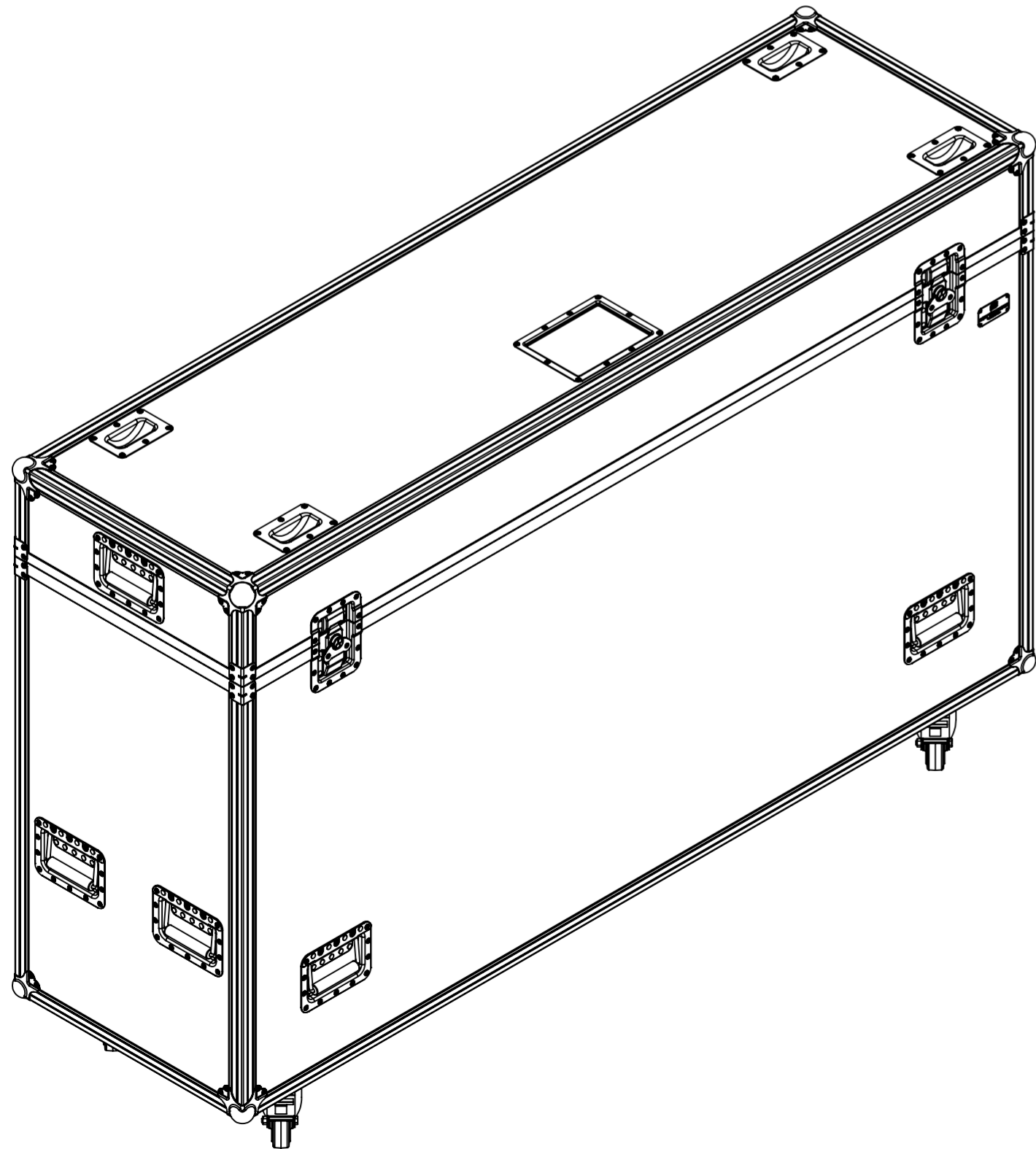
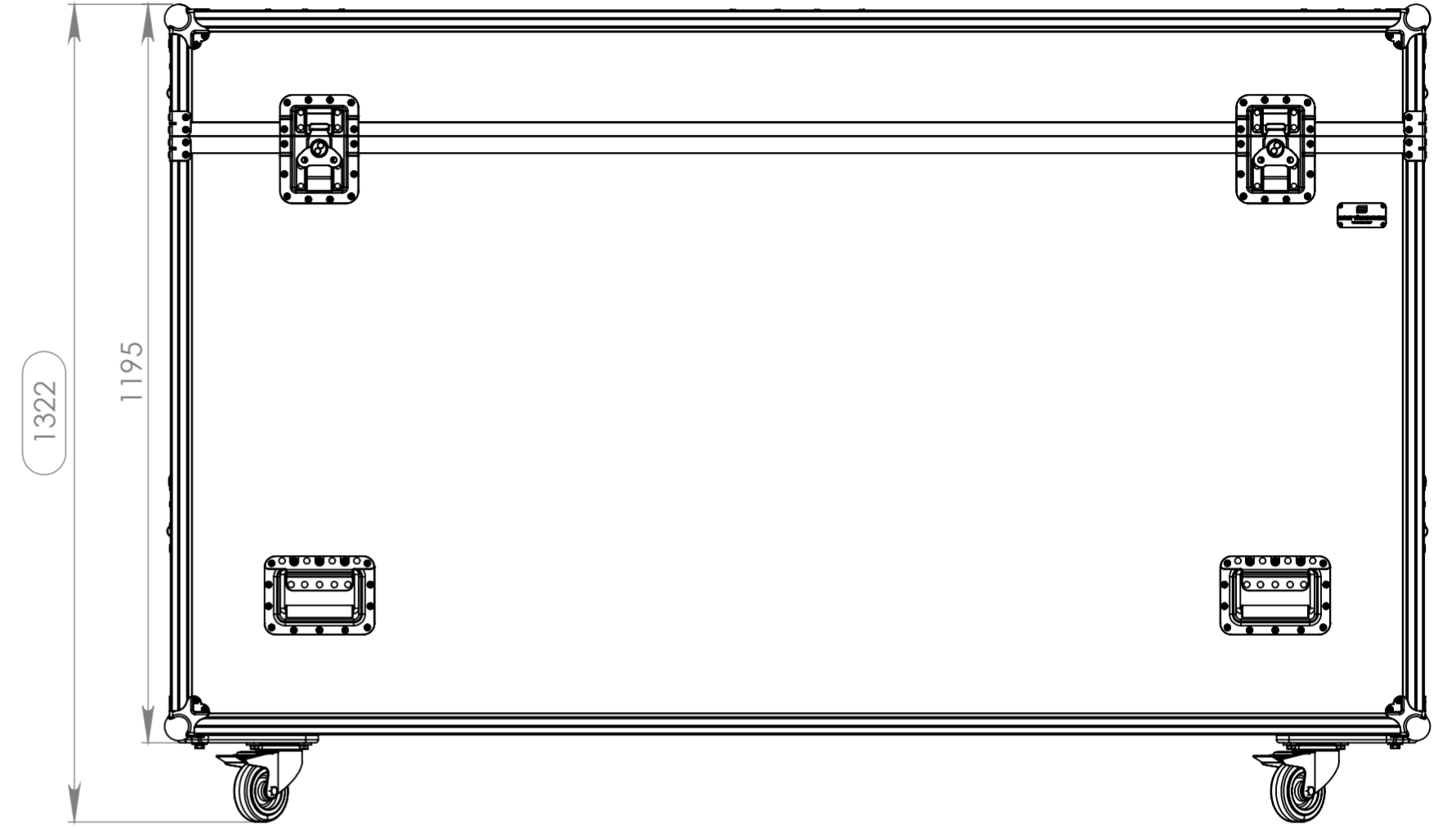
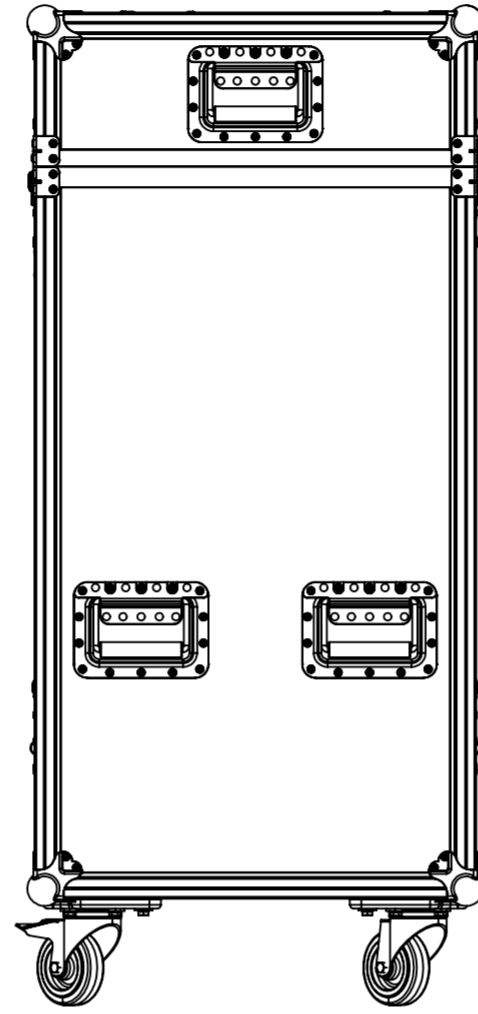
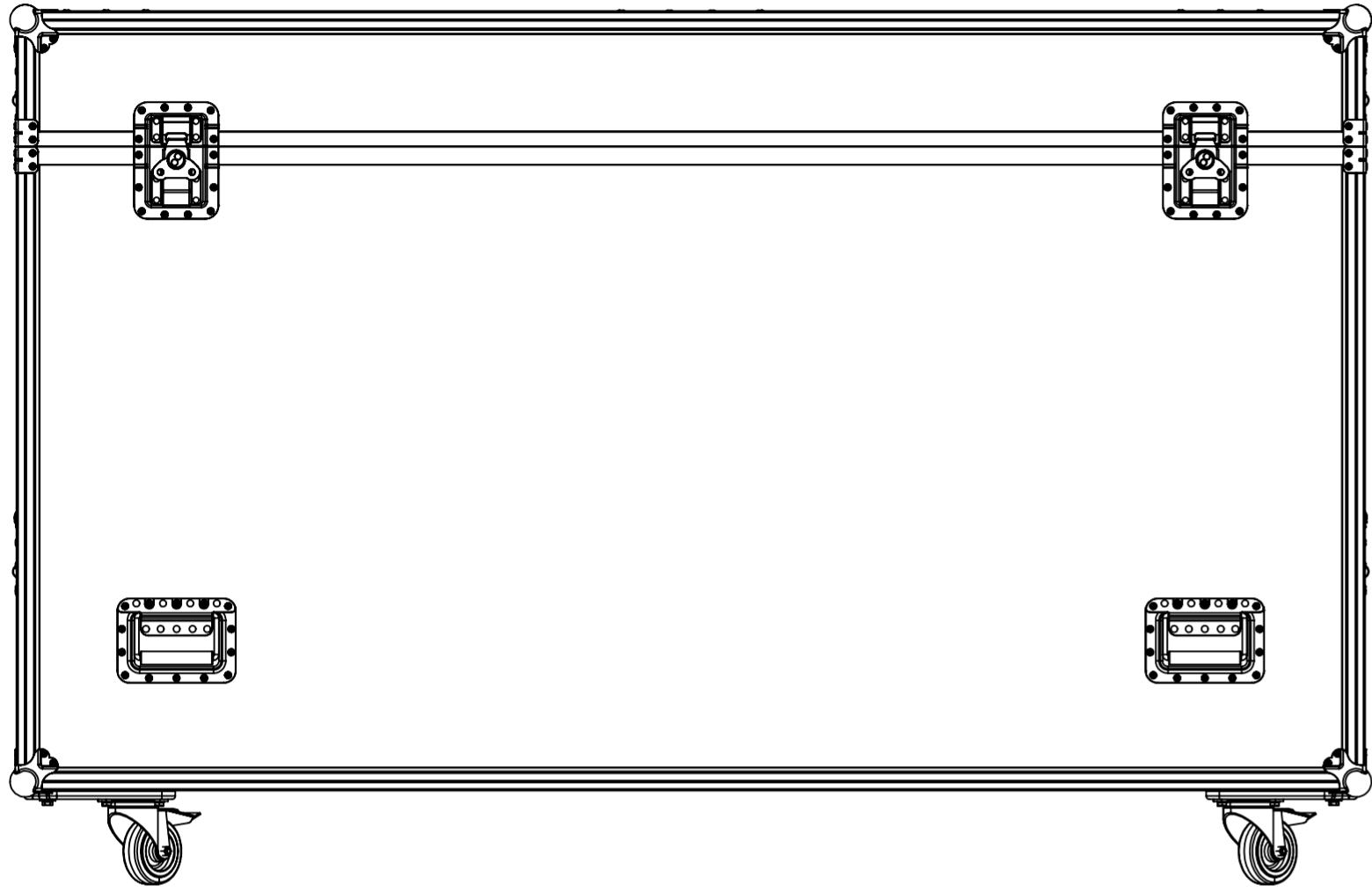


Max. dimensions equipment

Length	Width	Height
2000	556	1145



Drawn by	Name	Date
DanielLopes	1446.105R1	20-01-2012
Scale:	units in mm	general tolerance 0.8mm
1:10		
Maio PRO TOUR 2000x556x1145mm		

