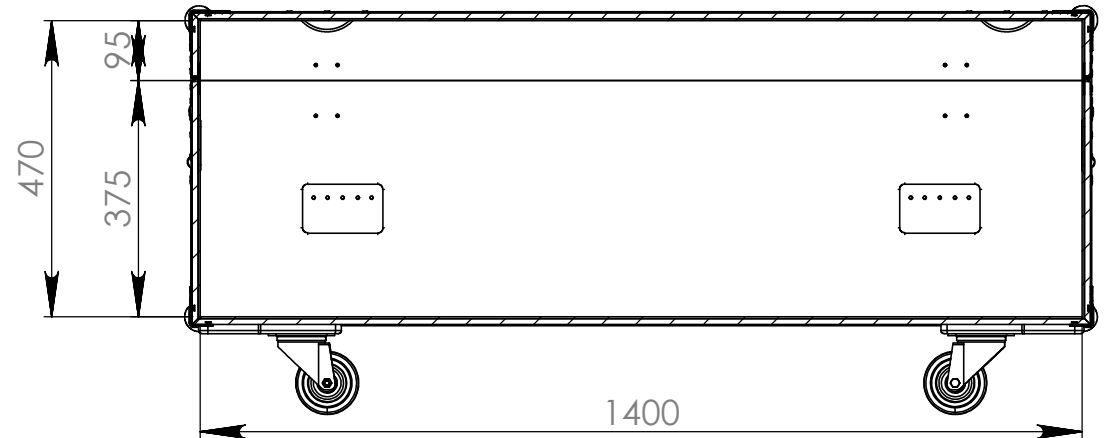
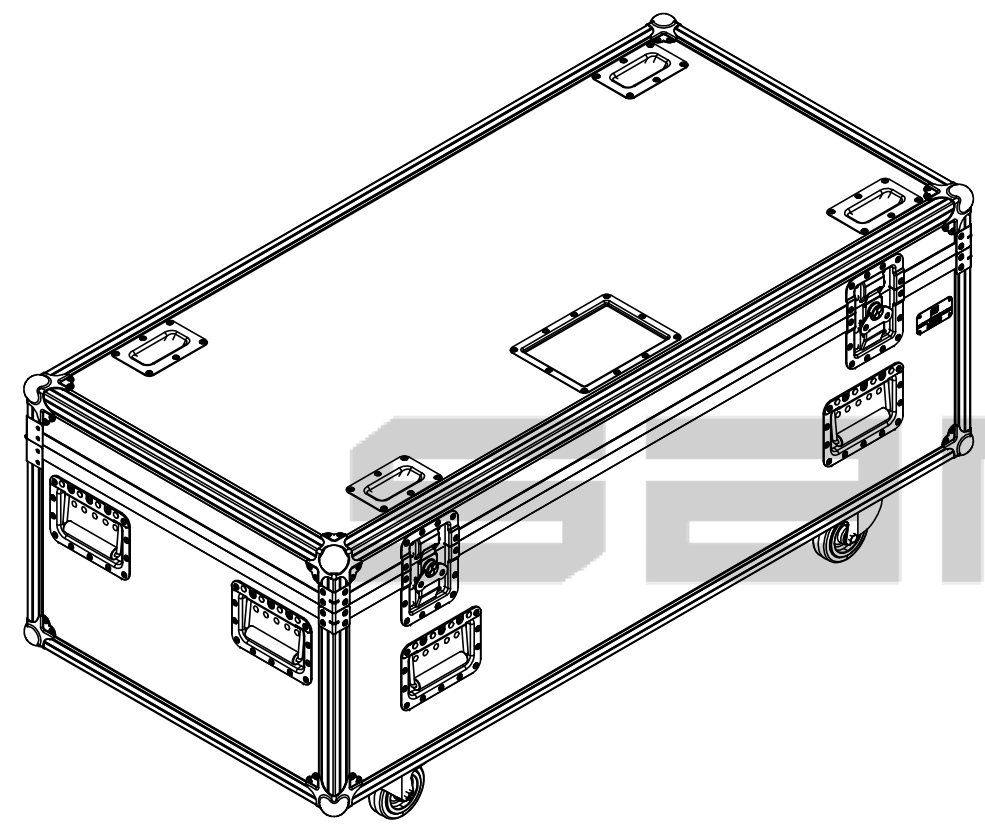
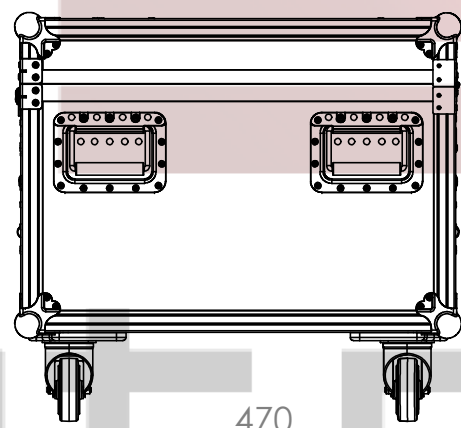


Interior dimensions		
Width	Depth	Height
1400	660	470
Weight	Approx. 45 Kg	
Wall Thickness	9mm	

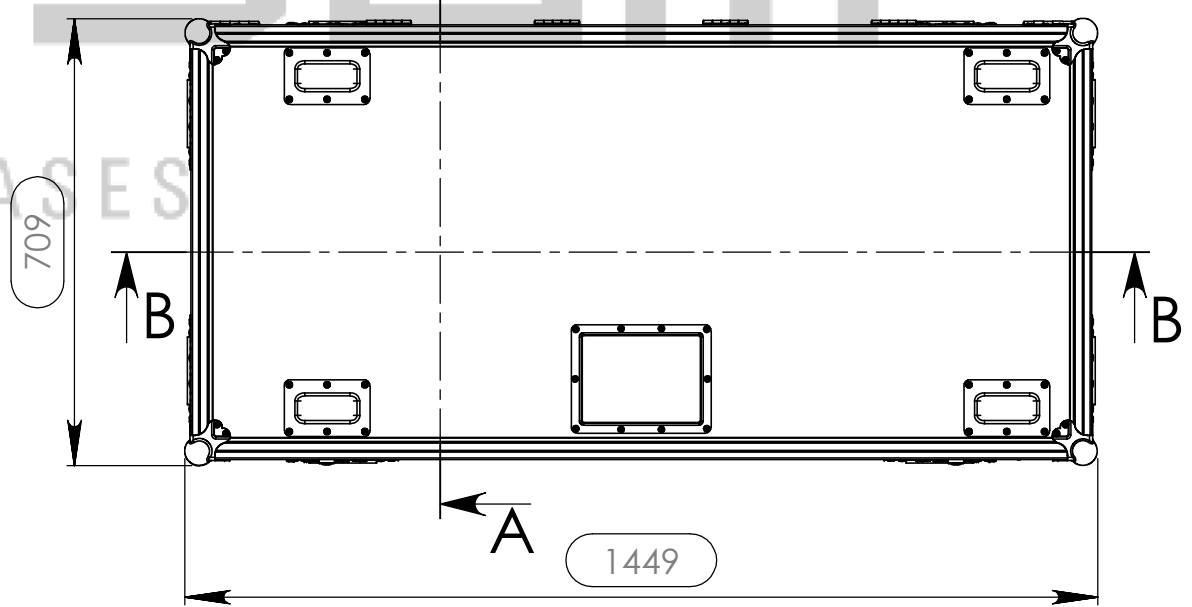
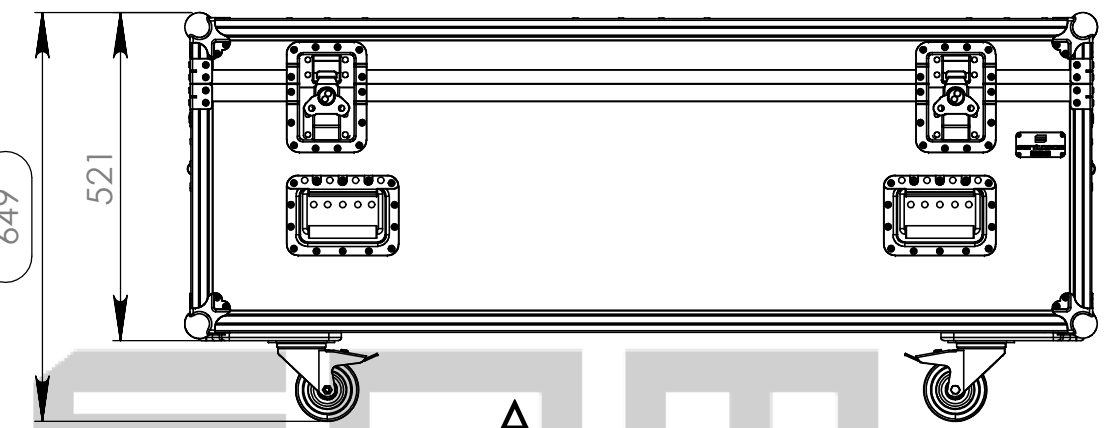
REVISIONS				
ZONE	REV.	DESCRIPTION	DATE	APPROVED
-	0	Final Drawing	07/03/2013	Daniel Lopes



SECTION B-B



SECTION A-A



Hardware	
Qty	Description
8	Heavy Duty Ball Corner
4	Large corner bracket f. 35mm case angle
8	Large, heavy duty, recessed sprung handle
2	Large AH butterfly with 'push-back' function in 14mm dish
2	Large lidstay cranked / hinge
1	Dish for 88001 Tour Label
4	Castor dish deep zinc plated
2	110MM hinge shot
2	Swivel castor Ø100 mm with brake
2	Swivel castor Ø100 mm
4	Medium duty butt hinge z./p.

This drawing must not be copied or disclosed without consent of the owner

Drawn by	Name	Date
DanielLopes	DanielLopes	07-03-2013
Reference	1410.009	
Scale	units in mm	general tolerance
1:12	DO NOT SCALE	0.8mm
1st Angle projection	Maíão 1400x660x470mm., alcatifa, rodas	

