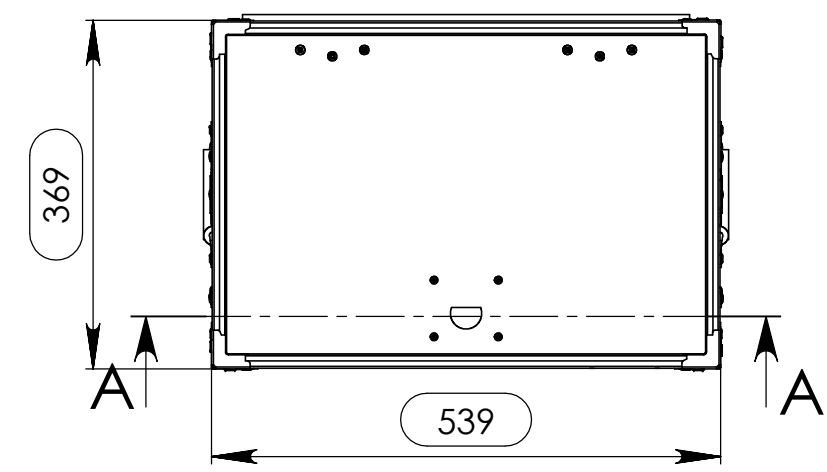
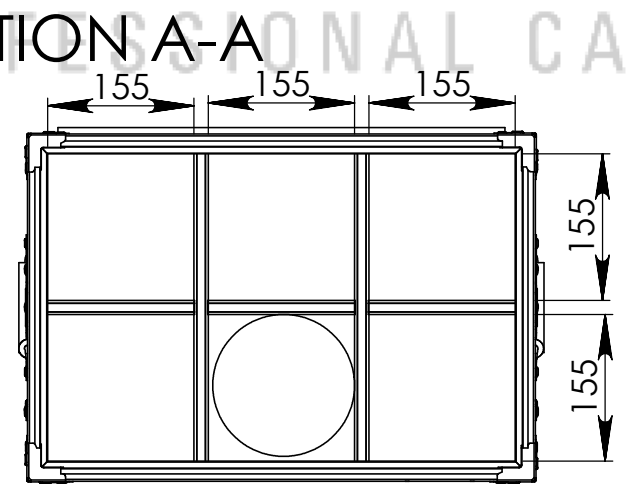
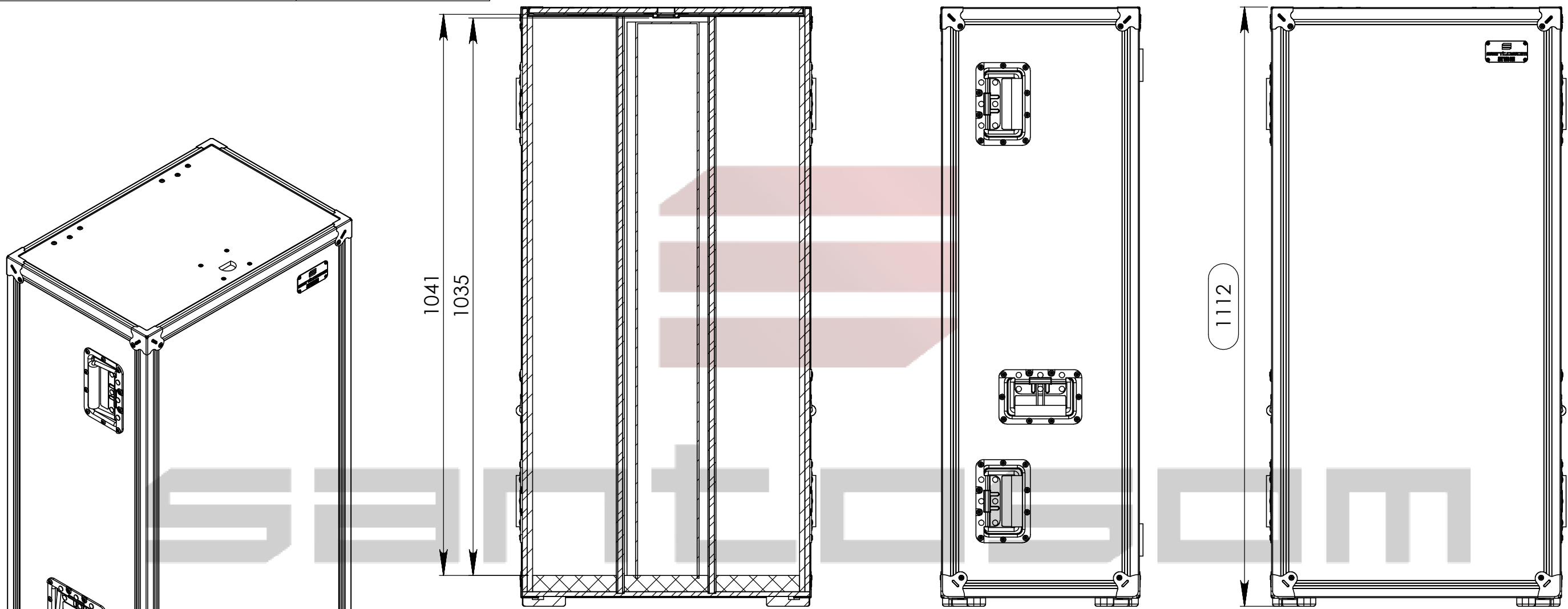


Interior dimensions		
Width	Depth	Height
155	155	1035
Weight	Approx. 29 Kg	
Wall Thickness		9mm

REVISIONS				
ZONE	REV.	DESCRIPTION	DATE	APPROVED
-	-	Final Drawing	02/04/2014	Daniel Lopes



Hardware		
Qty	Ref.	Description
1	16540	Sliding Latch System - Sliding Latch
4	IHI4015	UX-BOX, Corner 2 LEG, 10mm
4	4004	Case corner zinc plated
6	34082	Recessed sprung handle medium model

This drawing must not be copied or disclosed without consent of the owner

Drawn by	Name	Date
DanielLopes	DanielLopes	02-05-2014
Reference	1384.010	
Scale	units in mm	general tolerance
1:8	DO NOT SCALE	0.8mm
1st Angle projection		
FC X-BOX, 6X TUBE PLEXI POUR PROJ.TUB - 1 MT		

