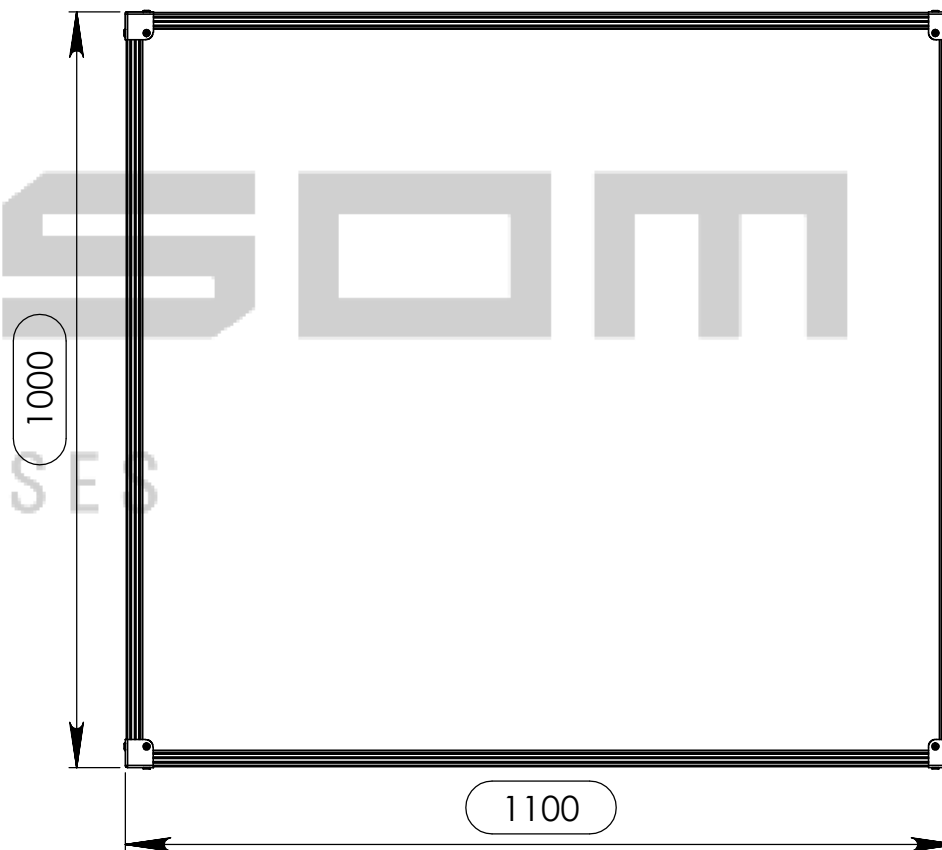
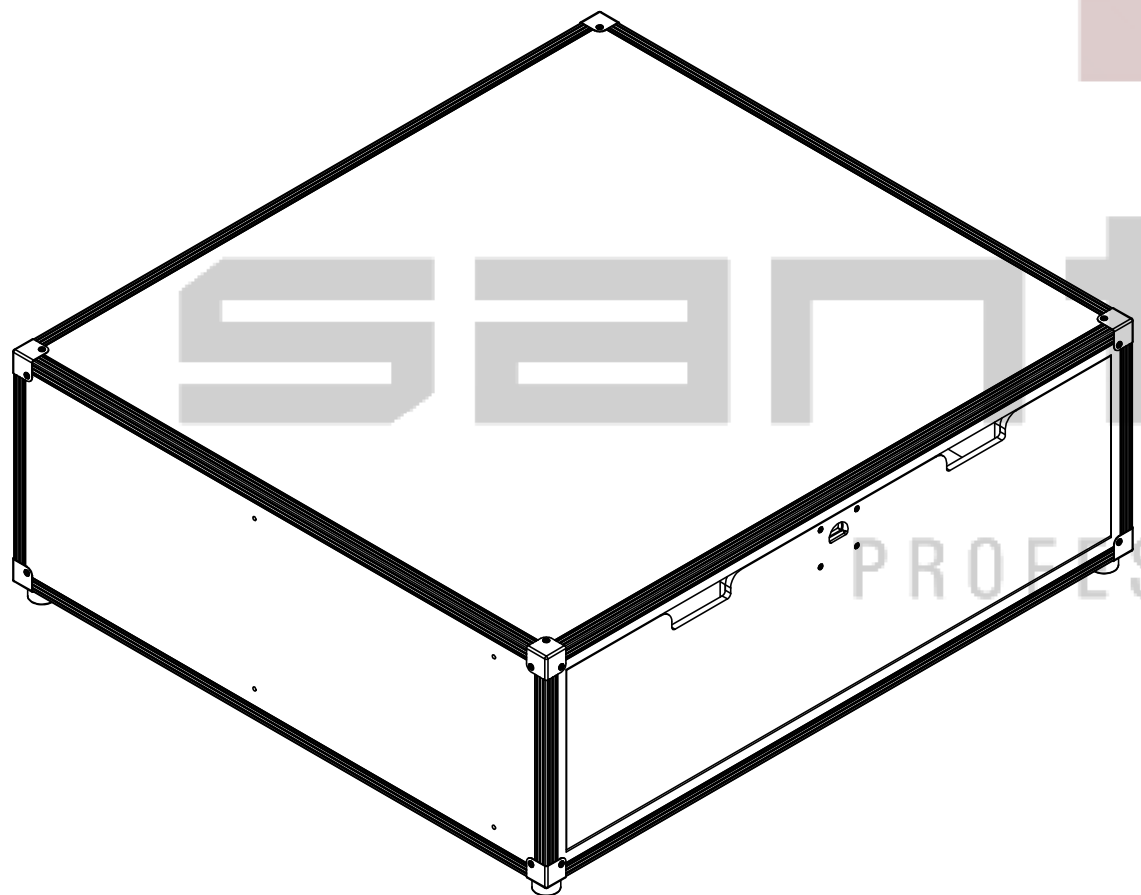
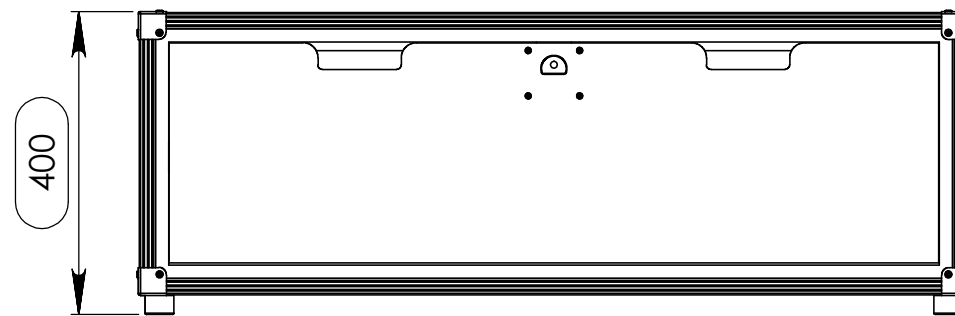
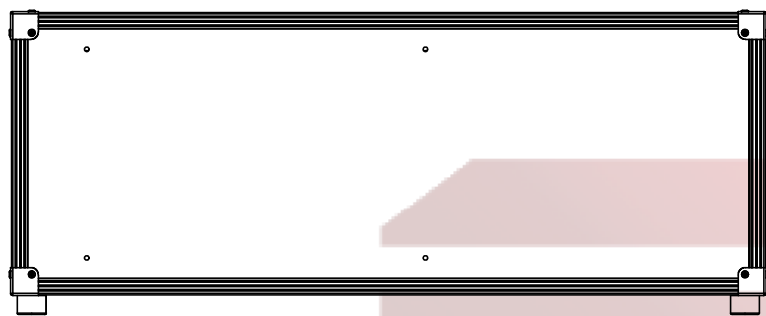


Interior dimensions		
Width	Depth	Height
1100	1000	400
Weight	Approx. 37 Kg	
Wall Thickness		7mm



Hardware	
Qty	Description
8	Square Case Corner
4	Rubber foot 38 x 25 mm with steel insert
1	Sliding Latch System - Sliding Latch

Drawn by	Name	Date
DanielLopes	DanielLopes	29-10-2012
Reference	099.008	
Scale	units in mm	general tolerance
1:10	DO NOT SCALE	0.8mm
Estrado tipo FC 1100x1000x400 mm com gaveta 600		



This drawing must not be copied or disclosed without consent of the owner



A3